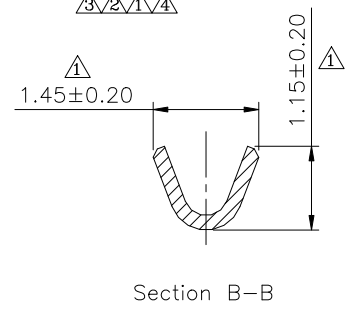
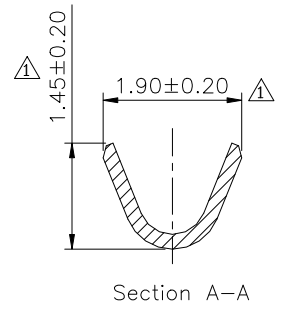
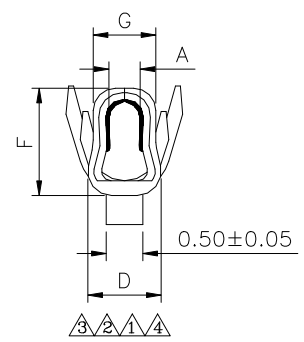


△ SPECIFICATION
 Material: Phosphor Bronze, Tin Plated Over Nickel
 Wire Range: AWG #26~#32
 Insulation O.D.: 1.10mm
 Q'ty: 10000 PCS/Reel
 RoHS Compliant



P/N	Mating Housing P/N	A	B	C	D	E	F	G
ZHT-S-10K-H	ZH02H-H~ZH03H-H	0.40 ^{+0.02} _{-0.07}	1.85±0.10	0.20	1.00±0.10	0.75±0.10	1.46±0.08	0.86±0.10
ZHT-10K-H	ZH04H-H~ZH14H-H	0.43 ^{+0.05} _{-0.03}	1.85±0.07	0.20±0.01	1.00±0.07	0.75±0.07	1.46±0.07	0.86±0.07

AUK A MEMBER OF AUK GROUP
太聯事業股份有限公司
AUK CONTRACTORS CO., LTD.

CATEGORY	APPROVED BY	MEI
PART No. △△	CHECKED BY	HZF
ZHT-X-R10K-H	DRAWING BY	HAO
DRAWING No. △△	SCALE	NONE
ZHT-X-R10K-H	REV.	A4

UNLESS OTHERWISE SPECIFIED TOLERANCES ARE
 .XX ±0.25
 .XXX ±0.20
 .XXX ±0.10
 .X ±2°
 .XX ±1°

NO.	REV.	REVISIONS	CHK	DATE
△	A4	Modify P/N: ZHT-X-H --> ZHT-X-R10K-H	HZF	12/22/2015
△	A3	Modify P/N: ZHT-X-H --> ZHT-X-H	HZF	03/05/2013
△	A2	Modify Data	HZF	05/28/2010
△	A1	MODIFY DIM	HZF	04/29/2008
△	A0	NEW RELEASE	BECKY	2004/10/07