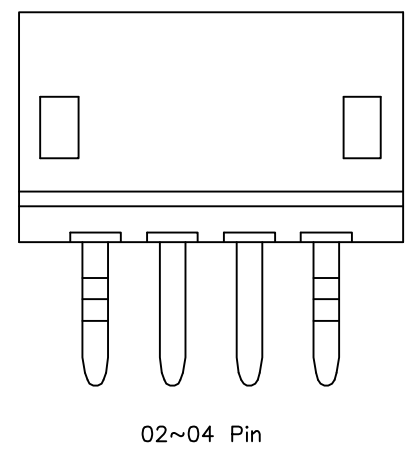
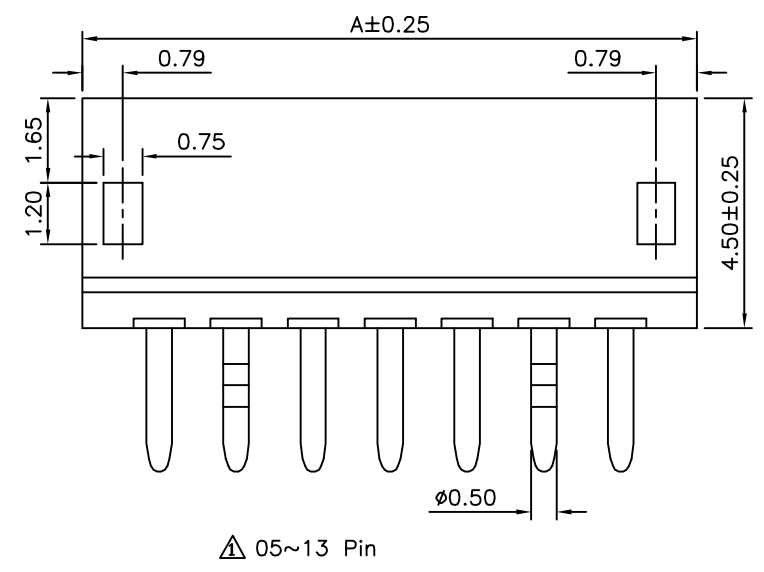
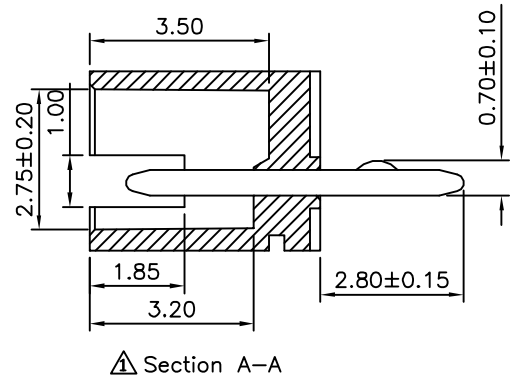
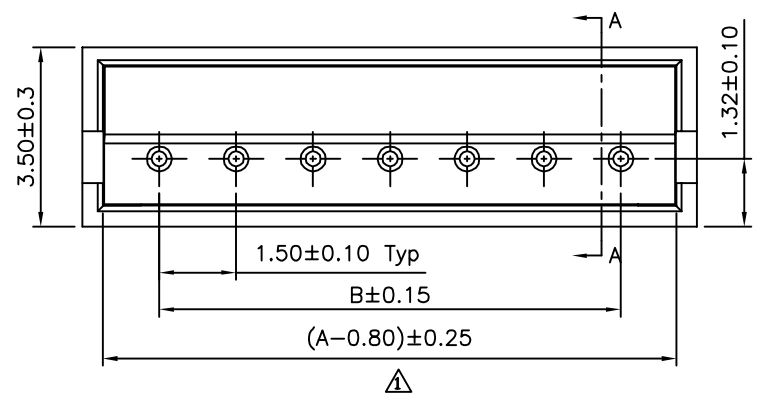


Recommended P.C.B Layout (Top Side)  
P.C.B Thickness: 1.20mm (Tolerance: ±0.05)



**SPECIFICATION**  
 Current Rating: 1A AC/DC  
 Voltage Rating: 50V AC/DC  
 Withstanding Voltage: 500V AC/Minute  
 Contact Resistance: 20 Milliohms Max.  
 Insulation Resistance: 500 Megaohms Min.  
 Temperature Range: -25°C ~ +85°C  
 Housing: PA66+15%G.F. (UL94V-0), Gray  
 Contact: C2680, Tin Plated  
 RoHS Compliant

- △ ZH XX D - H  
 (1) (2) (3) (4)  
 (1) ZH: 1.5mm ZH Series  
 (2) XX: No. Of Position  
 (3) D: Male DIP Straight  
 (4) H: RoHS Compliant

Pin	A	B
02	4.50	1.50
03	6.00	3.00
04	7.50	4.50
05	9.00	6.00
06	10.50	7.50
07	12.00	9.00
08	13.50	10.50
09	15.00	12.00
10	16.50	13.50
11	18.00	15.00
12	19.50	16.50
13	21.00	18.00

**AUK** A MEMBER OF AUK GROUP  
**太聯事業股份有限公司**  
**AUK CONTRACTORS CO., LTD.**

CATEGORY		APPROVED BY		UNLESS OTHERWISE SPECIFIED TOLERANCES ARE .X ±0.15 .XX ±0.10 .XXX ±0.05 .X* ±2* .XX* ±1* UNIT mm
PART No. ZHXXD-H		EMILY		
DRAWING No. ZHXXD-H		CHECKED BY HZF		
SCALE NONE		DRAWING BY SONG		
REV.	B1	REV.		UNIT mm

NO.	REV.	REVISIONS	CHK	DATE
△ B1		Modify Data	HZF	05/28/2014
△ B0		NEW RELEASE	HZF	01/05/2009