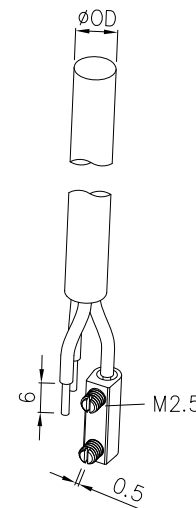
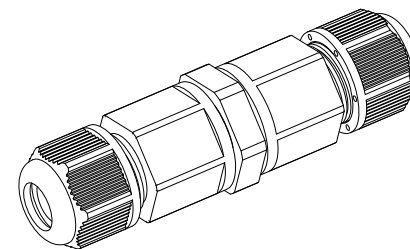
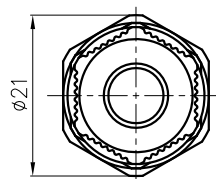
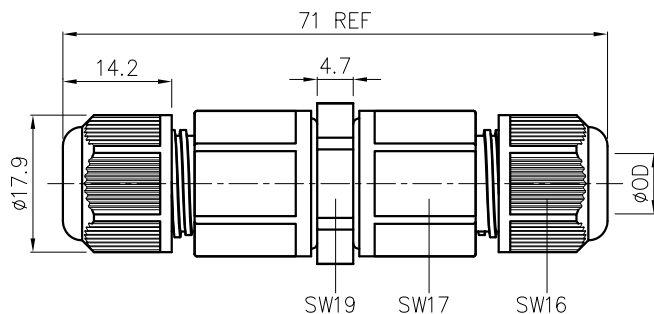


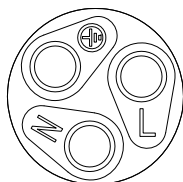
REVISION RECORD

REV	ECN	DESCRIPTION	DRFT	DATE



NOTES:

- 1.RoHS Compliance,
- 2.The Code direction is shown as diagram,
- 3."⊗"Point advertent place,
- 4.Housing material: PA66(UL94 V0)(Color: black)
- 5.Contact body material: PA66(UL94 V0)(Color: blue)
- 6.Contact material: Copper alloy,(plating: Ni)
- 7.Rubber and O Ring material: Silicone,(Color: black)
- 8.Screw material: Steel,M2.5
- 9.Cable OD :  $\phi 5 \sim \phi 7$ mm.



3 pin

Technique parameter-3 PIN

Rated voltage	500V
Rated current	16A
Insulation resistance	$\geq 100M\Omega$
Withstanding voltage	1000VAC
Operating temperature	-40°C~+85°C
Levels of protection	IP68
Wire gauge	0.75~1.5mm <sup>2</sup>

Dimensional tolerance(mm)

	≤30	30 ~ 60	60 ~ 100	100 ~ 150	>150
	±0.20	±0.30	±0.50	±0.70	±1.00

DETACHED LISTS

PART NO.:	/	宁波高松电子有限公司 NINGBO DEGSON ELECTRICAL CO., LTD		
APPD:	YX-C Series	NAME: YX-C-N-M16-D5-7		
CHKD:		TITLE: ASSEMBLY DRAWING		
DRFT:	WYM 200/04/22	REV	D0-1	
		DRAWING NO.:	xx	SHEET 1/1
THIRD ANGLE PROJECTION		MM (INCH)	DO NOT SCALE DRAWING	SCALE 1:1