

## 产品规格书

**PRODUCT SPECIFICATION**

Customer:

Customer's part number:

Product description: Waterproof Fakra C male RF cable

Uni Link's part number: YNX-WFakraC-1.32-UFL-10cm

Issue Date: 2019-3-15

Note: Fakra C waterproof to UFL ROHS

客户签名			深圳市雅诺讯科技有限公司		
核准	审核	检查	核准	审核	检查
			黄杰武	雷庆宾	方珊梅

**Shenzhen Yetnorson Technology Co., Ltd.**

Contact: Dana Dong

MOBILE: 13825234639

Address: No. 4 factory, Xinwu District Yard Community, Shabo Community, Maluan Street, Pingshan, Shenzhen

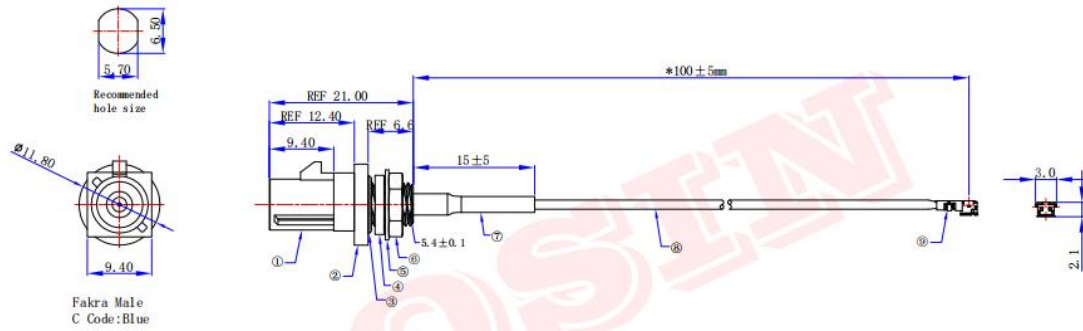
Tel: 86-755-28986687

Fax: 86-755-89915511

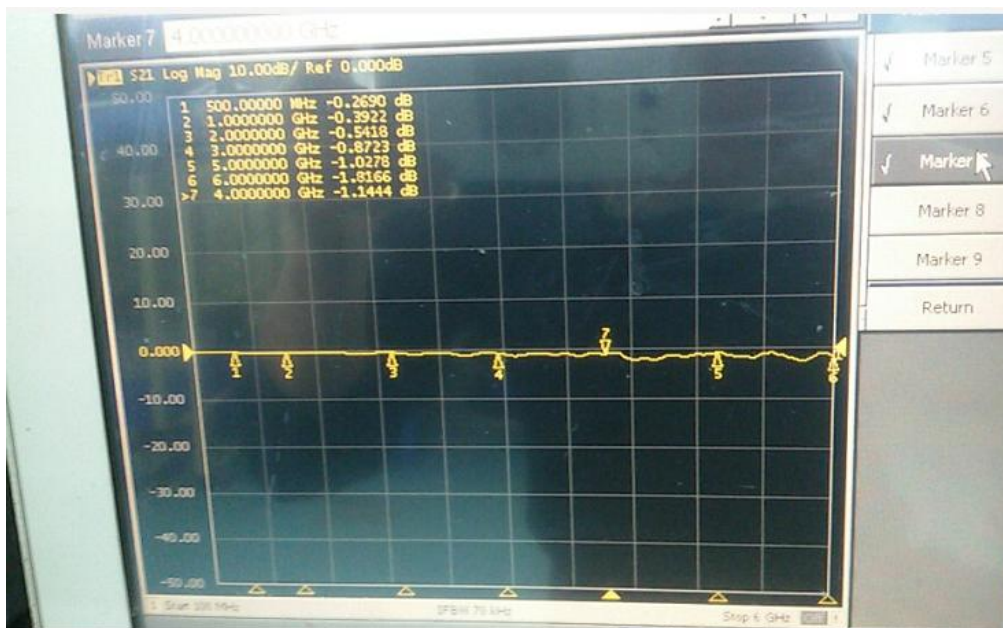
Website: <http://www.yanuoxun.net>E-mail: [ynx02@yanuoxun.com.cn](mailto:ynx02@yanuoxun.com.cn)

Technical data of product	Name OF cable	Fakra C male		
	Type of cable	1.32	Standard	MIL-C-17
项 目 Item		Structure of product		
<b>Connector Technical Characteristics</b>	Frequency Range	DC~12.4GHz		
	V.S.W.R	≤1.10+0.02f		
	Impedance (Ω)	50Ω		
	Insertion Loss	0.1DB		
	Plating	nickel plated		
	Insulator	PTFE		
<b>RG Flexible Cables Technical Characteristics</b>	Cable Type	1.32 cable		
	Center Conductor	7×0.085(镀银/Sliver Plated)		
	Insulation Dimensions	Ø 0.7±0.1mm (聚四氟乙烯/PTFE)		
	Jacket Dimensions	Ø1.32		
	Nominal Impedance	50Ω		
	Length	Customize		
<b>Environment Specifications</b>	Operation temperature	-55~+200℃		
	Operation Relative humidity	55%~75%		
Testing voltage of spark		2000V		
Testing voltage		2000V		
Attenuation(Typical)(≧dB/m)	1 GHz	1.3		
	2 GHz	2.8		
	3 GHz	3.6		
	4 GHz	4.2		
	5 GHz	4.85		
Structure diagram of product				

## 2. 产品规格图



## 3. Return loss



## 4. V. S. W. R.:

