



产品规格书

PRODUCT SPECIFICATION

Customer:

Customer's part number: YNX-SBX-FAKRA-04-4m-SHM

Product description: GPS+GLONASS Satellite Positioning Antenna

Uni Link's part number:

Issue Date: 2017-5-26

Note: $1575.42 \pm 2\text{MHz}$ / $1602 \pm 2\text{MHz}$, Connector

Customer Use		Customer's authorized signature	Remarks
Full approved			
Conditional approved			
Rejected			



深圳市雅诺讯科技有限公司

Shenzhen Yetnorson Technology Co., Ltd.

雅诺讯科技

www.yanuoxxun.net

第 1 页



1. PRODUCT TECHNICAL SPECIFICATION

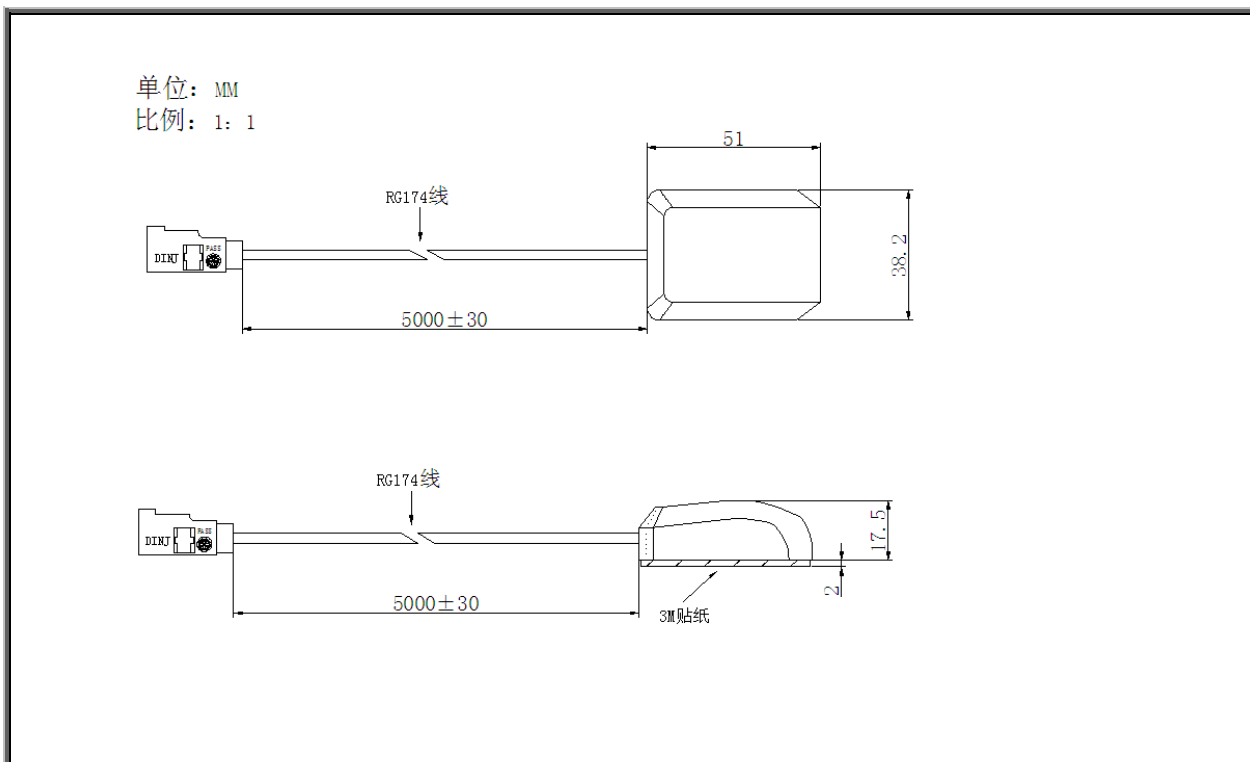
GPS+GLONASS Electrical Specification	
Center Frequency (MHz)	1575.42±2MHZ/1602±2MHZ
Bandwidth (MHz)	4HZ
Gain (dBi)	28B±3dB(LNA)
Input Impedence (Ω)	50 Ω
V.S.W.R	≤ 2.5
Consumption Electric	<10mA
Polarization Intensity	R.H.C.P
Supply Voltage	DC2.5-3.6V
The Sound Coefficient	≤ 1 dB
Axial Ratio	3dB
Max Input Power (w)	50
Operating Temperature	-40 $^{\circ}$ C ~ +85 $^{\circ}$ C
Storing Temperature	-20 $^{\circ}$ C ~ +85 $^{\circ}$ C
Cable length (mm)	4000
Connector Type	FAKRA C
Radome Color	Black
Weight (g)	82



2、PRODUCT PICTURE

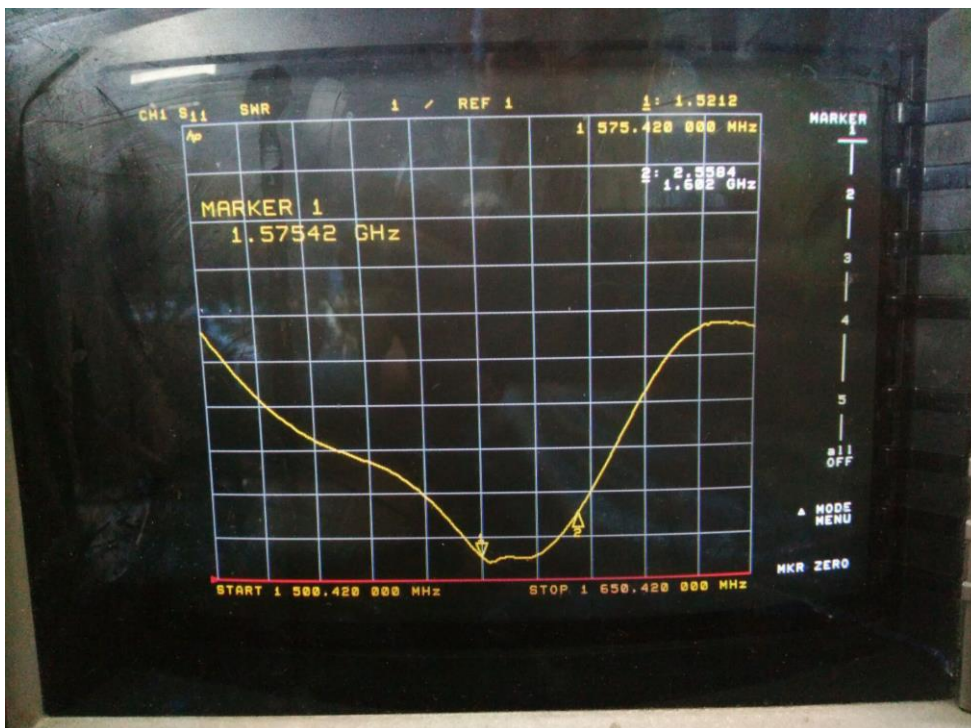


3. PRODUCT SPECIFICATION CHART

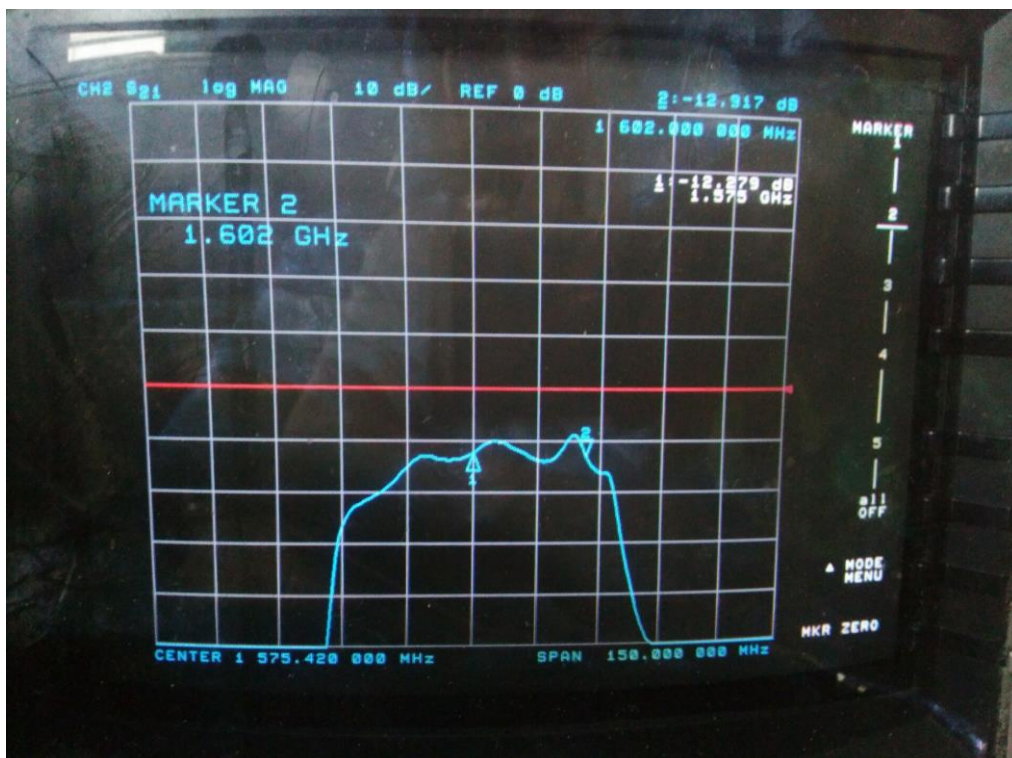




4. GPS/GLONAS (VSWR WAVE PATTERN)



5. RELATIVE GAIN





6. GPS (SATELLITE POSITIONING EFFECT)

