

PRODUCT SPECIFICATION

Customer's part number: YNX-RF-0.81-SMA-MHF5-15cm
Product description: RF cable (pigtail)
Issue Date: 2019-3-15
Note: RF cable, SMA-to-MHF,
cable 0.81 15cm

客户签名			深圳市雅诺讯科技有限公司		
核准	审核	检查	核准	审核	检查
			黄 杰 武	雷 庆 宾	方 珊 梅

**Shenzhen Yetnorson Technology Co., Ltd.**

Website: <http://www.yetnorson.com/>
E-mail: sales06@ynxantenna.com

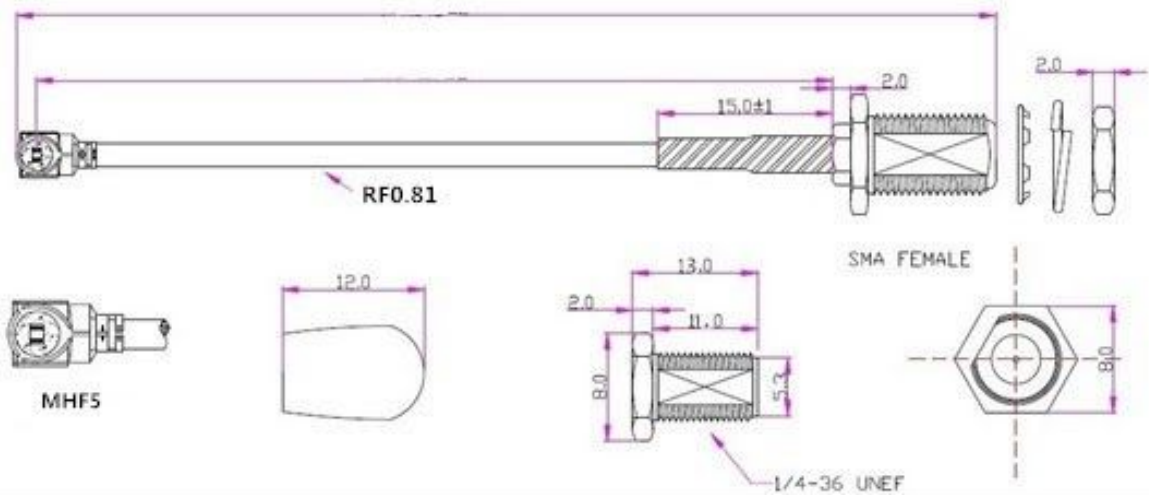
1. PRODUCT TECHNICAL SPECIFICATION

Technical data of product		RF OF cable		SMA, MHF5	
		Type of cable		RG0,81	Standard
Item			Structure of product		
Connector Technical Characteristics	Frequency Range		DC~12.4GHz		
	V.S.W.R		≤1.10+0.02f		
	Impedance (Ω)		50Ω		
	Insertion Loss		0.1DB		
	Plating		gold plated		
	Insulator		PTFE		
RG Flexible Cables Technical Characteristics	Cable Type		0.81		
	Center Conductor		7×0.05(Silver Plated COPPER)		
	Insulation Dimensions		Ø 0.41±0.02mm (FEP)		
	Screen Dimensions		Ø0.61±0.03 (Tinner plated)		
	Jacket Dimensions		Ø0.81±0.05		
	Nominal Impedance		50Ω		
	Length		Customize		
Environment Specifications	Operation temperature		-55~+200°C		
	Operation Relative humidity		55%~75%		
Testing voltage of spark			2000V		
Testing voltage			2000V		
Attenuation(Typical)(≥dB/m)		1 GHz	3.1		
		2 GHz	4.7		
		3 GHz	5.8		
		4 GHz	6.9		
		5 GHz	7.8		

2. PRODUCT PICTURE



3. PRODUCT SPECIFICATION CHART



4. Return Loss



5. VSWR

