



## 产品规格书

### **PRODUCT SPECIFICATION**

Customer:

Customer's part number:

Product description: GPS and GSM Antenna

Uni Link's part number: YNX-LW-GPS/4G-SMA

Issue Date: 2012-5-11

Note: 1575.421602MHZ /600~2700MHz,SMA Connector (Rohs)

| Customer Use            |  | Customer's authorized<br>signature | Remarks |
|-------------------------|--|------------------------------------|---------|
| Full approved           |  |                                    |         |
| Conditional<br>approved |  |                                    |         |
| Rejected                |  |                                    |         |



深圳市雅诺讯科技有限公司

Shenzhen Yetnorson Technology Co., Ltd.

雅诺讯科技

[www.yetnorson.com](http://www.yetnorson.com)



## 一、目录

### 1、PRODUCT TECHNICAL SPECIFICATION

| GPS Electrical Specification |                                     |
|------------------------------|-------------------------------------|
| Center Frequency (MHz)       | 1575.42MHZ/1602MHZ                  |
| Bandwidth (MHz)              | 6MHZ                                |
| Gain (dBi)                   | 28dB±3dB(LNA 放大器)                   |
| Input Impedence ( $\Omega$ ) | 50 $\Omega$                         |
| V.S.W.R                      | $\leq 1.8$                          |
| Consumption Electric         | <10mA                               |
| Polarization Intensity       | R.H.C.P                             |
| Supply Voltage               | DC3.3~5.0V                          |
| ESD-Compliant                | SJ/T 10694                          |
| Testing voltage (KV)         | 15                                  |
| The Sound Coefficient        | $\leq 1.5$ dB                       |
| Axial Ratio                  | 3dB                                 |
| Max Input Power (w)          | 50                                  |
| Operating Temperature        | -40 $^{\circ}$ C ~ +85 $^{\circ}$ C |
| Storing Temperature          | -20 $^{\circ}$ C ~ +85 $^{\circ}$ C |
| Cable length (mm)            | 3000                                |



|                               |                 |
|-------------------------------|-----------------|
| Connector Type                | SMA MALE        |
| Radome Color                  | Black           |
| GSM Electrical Specifications |                 |
| Frequency Range (MHz)         | 600-2700Mhz     |
| Input Impedence ( $\Omega$ )  | 50              |
| V.S.W.R                       | $\leq 1.5$      |
| Gain (dBi)                    | 3.0             |
| Polarization Type             | Vertical        |
| Radiation Direction           | Omnidirectional |
| Max Input Power (w)           | 50              |
| Operating Temperature         | -40°C ~ +85°C   |
| Storing Temperature           | -20°C ~ +85°C   |
| Cable length (mm)             | 3000            |
| Connector Type                | SMA             |
| Radome Color                  | Black           |



## 2、产品图片（PRODUCT PICTURE）

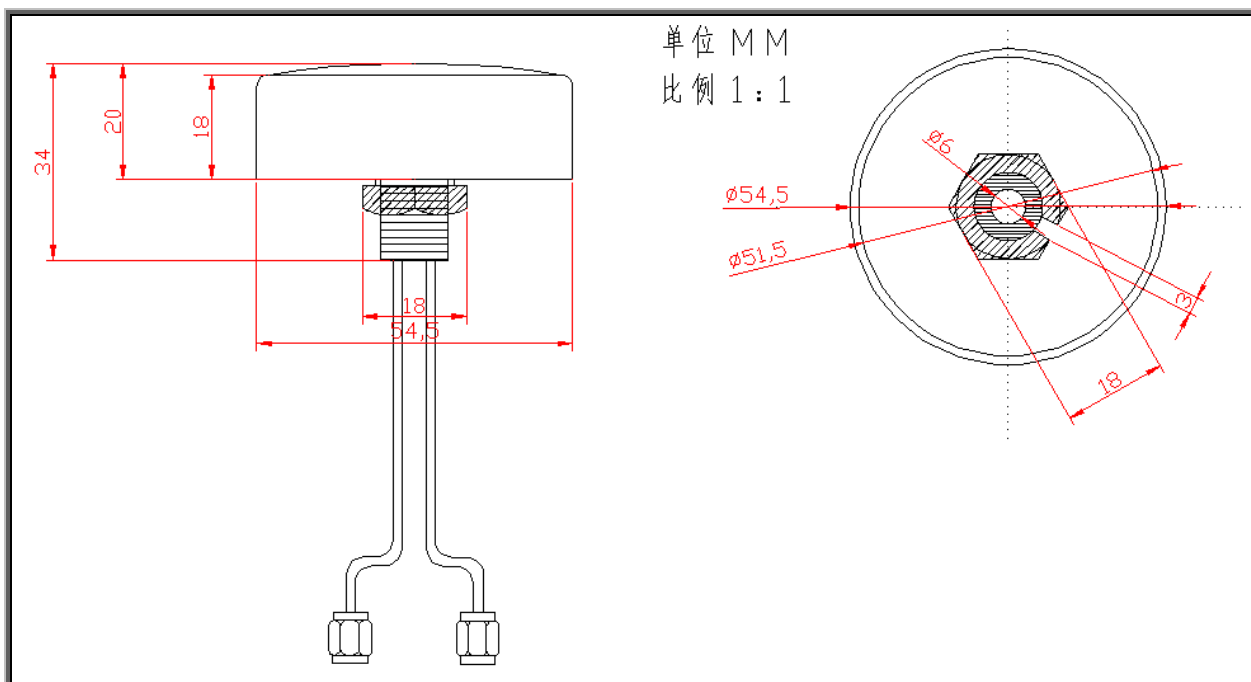


雅诺讯科技

[www.yetnorson.com](http://www.yetnorson.com)

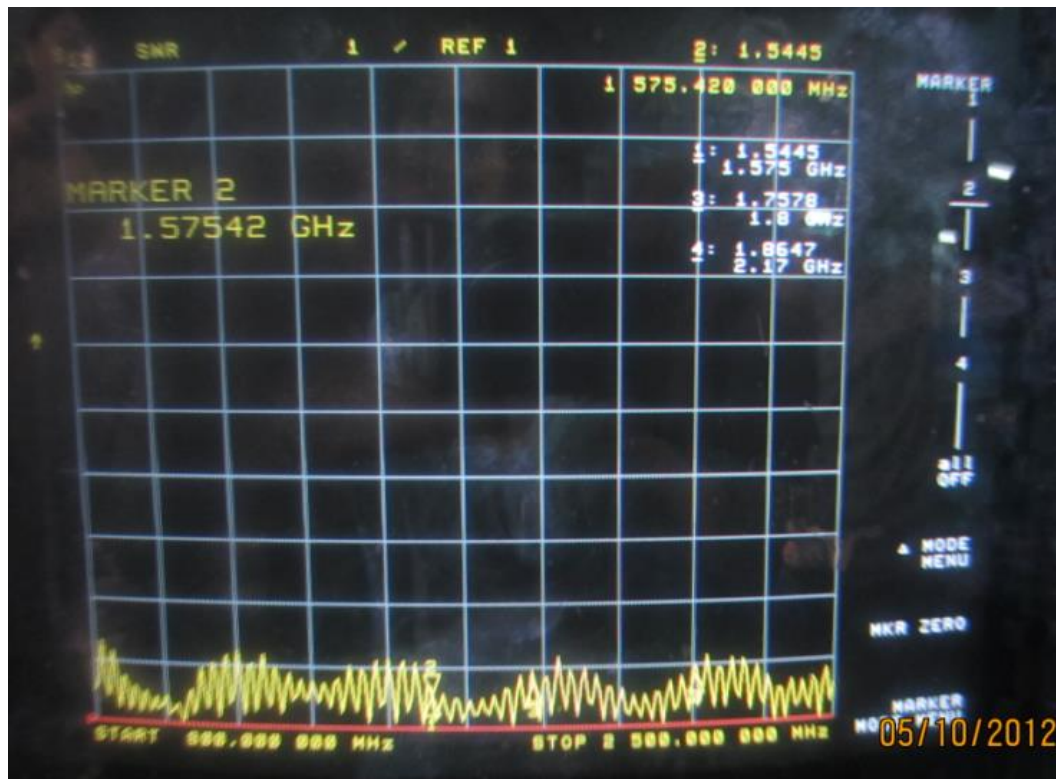


### 3、产品规格图(PRODUCT SPECIFICATION CHART)



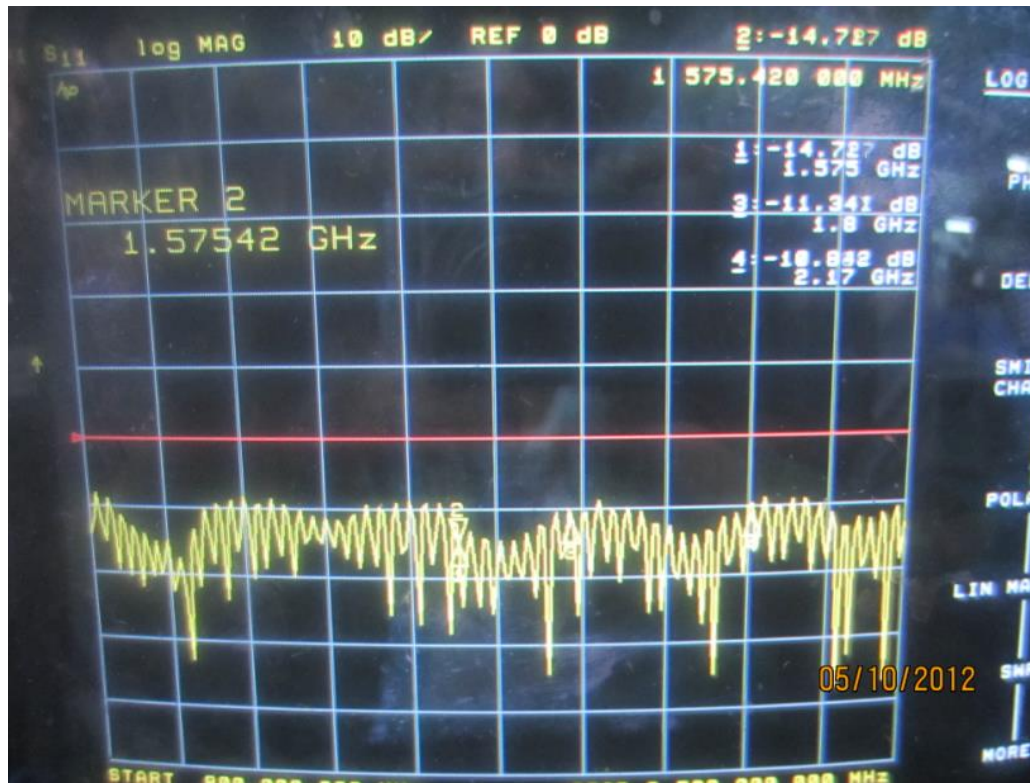


#### 4.1 (STATIONARY WAVE PATTERN)





#### 4.2 GPS RETURN LOSS TEST



#### 4.3 GPS IMPEDANCE TEST



雅诺讯科技

[www.yetnorson.com](http://www.yetnorson.com)



## 5.1 4G STATIONARY WAVE PATTERN

