

产品规格书

PRODUCT SPECIFICATION

Customer:

Customer's part number:

Product description: SMA to IPEX RF Cable

Uni Link's part number: YNX-IPEX-SMAf-178-12CM

Issue Date: 2019-3-15

Note: SMA IPEX ROHS

客户签名			深圳市雅诺讯科技有限公司		
核准	审核	检查	核准	审核	检查
			黄杰武	雷庆宾	方珊梅

Shenzhen Yetnorson Technology Co., Ltd.

Contact: Dana Dong

MOBILE: 13825234639

Address: No. 4 factory, Xinwu District Yard Community, Shabo Community, Maluan Street, Pingshan District, Shenzhen

Tel: 86-755-28986687

Fax: 86-755-89915511

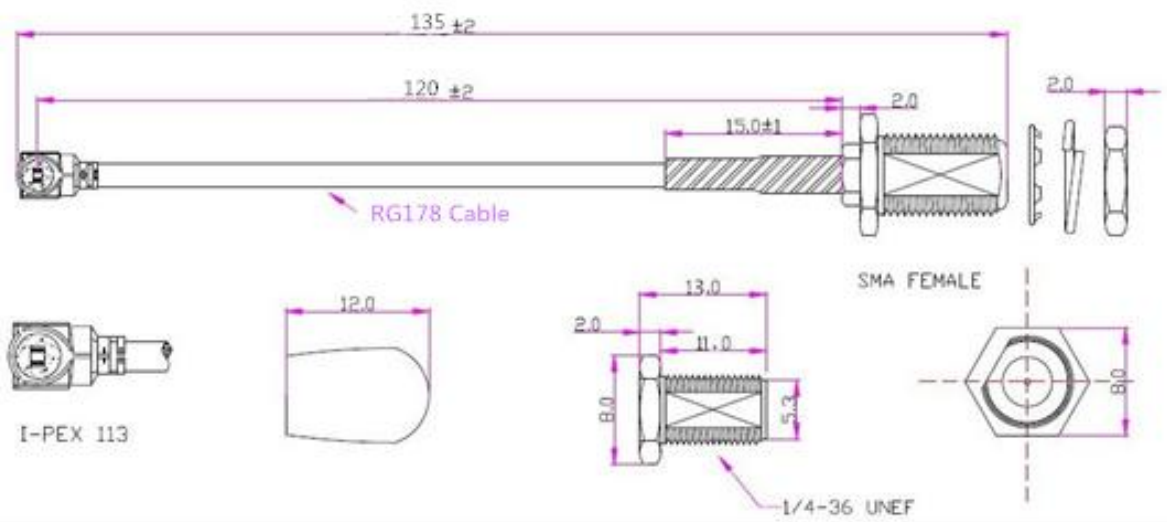
Website: <http://www.yanuoxun.net>E-mail: ynx08@yanuoxun.com.cn

Technical data of product		RF OF cable	SMA	
		Type of cable	RG178	Standard
项 目 Item		Structure of product		
Connector Technical Characteristics	Frequency Range	DC~12.4GHz		
	V.S.W.R	≤1.10+0.02f		
	Impedance (Ω)	50Ω		
	Insertion Loss	0.1DB		
	Plating	gold plated		
	Insulator	PTFE		
RG Flexible Cables Technical Characteristics	Cable Type	RG178		
	Center Conductor	7×0.1(镀银/Sliver Plated)		
	Insulation Dimensions	Ø 0.87±0.1mm (聚四氟乙烯/PTFE)		
	Screen Dimensions	Ø1.33(镀银/Sliver Plated)		
	Jacket Dimensions	Ø1.8		
	Nominal Impedance	50Ω		
	Length	Customize		
Environment Specifications	Operation temperature	-55~+200℃		
	Operation Relative humidity	55%~75%		
Testing voltage of spark		2000V		
Testing voltage		2000V		
Attenuation(Typical)(≧dB/m)	1 GHz	0.96		
	2 GHz	1.39		
	3 GHz	1.71		
	4 GHz	1.71		
	5 GHz	2.23		
Structure diagram of product				

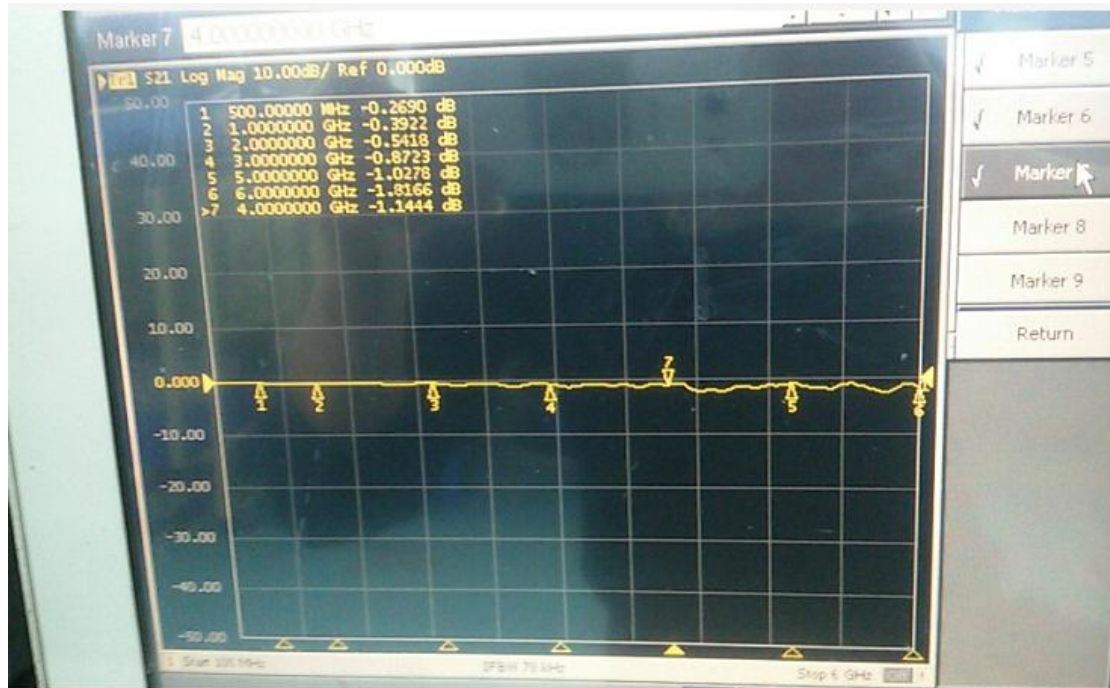
2.产品图片



3.产品规格图



4. Return loss



5. V. S. W. R.:

