



产品规格书

PRODUCT SPECIFICATION

Customer:

Customer's part number:

Product description: GPS and GSM Antenna

Uni Link's part number: YNX-GPS+GSM-006-SMA

Issue Date: 2012-5-11

Note: $1575.42 \pm 2\text{MHz}$ /800~2100MHz,SMA Connector (Rohs)

Customer Use		Customer's authorized signature	Remarks
Full approved			
Conditional approved			
Rejected			



深圳市雅诺讯科技有限公司

Shenzhen Yetnorson Technology Co., Ltd.



一、目录

1、PRODUCT TECHNICAL SPECIFICATION

GPS Electrical Specification	
Center Frequency (MHz)	1575.42MHZ±3MHZ
Bandwidth (MHz)	6MHZ
Gain (dBi)	28dB±3dB(LNA 放大器)
Input Impedence (Ω)	50 Ω
V.S.W.R	≤ 1.8
Consumption Electric	<10mA
Polarization Intensity	R.H.C.P
Supply Voltage	DC3.3~5.0V
ESD-Compliant	SJ/T 10694
Testing voltage (KV)	15
The Sound Coefficient	≤ 1.5 dB
Axial Ratio	3dB
Max Input Power (w)	50
Operating Temperature	-40 $^{\circ}$ C ~+85 $^{\circ}$ C
Storing Temperature	-20 $^{\circ}$ C ~+85 $^{\circ}$ C
Cable length (mm)	3000
Connector Type	SMA MALE
Radome Color	Black



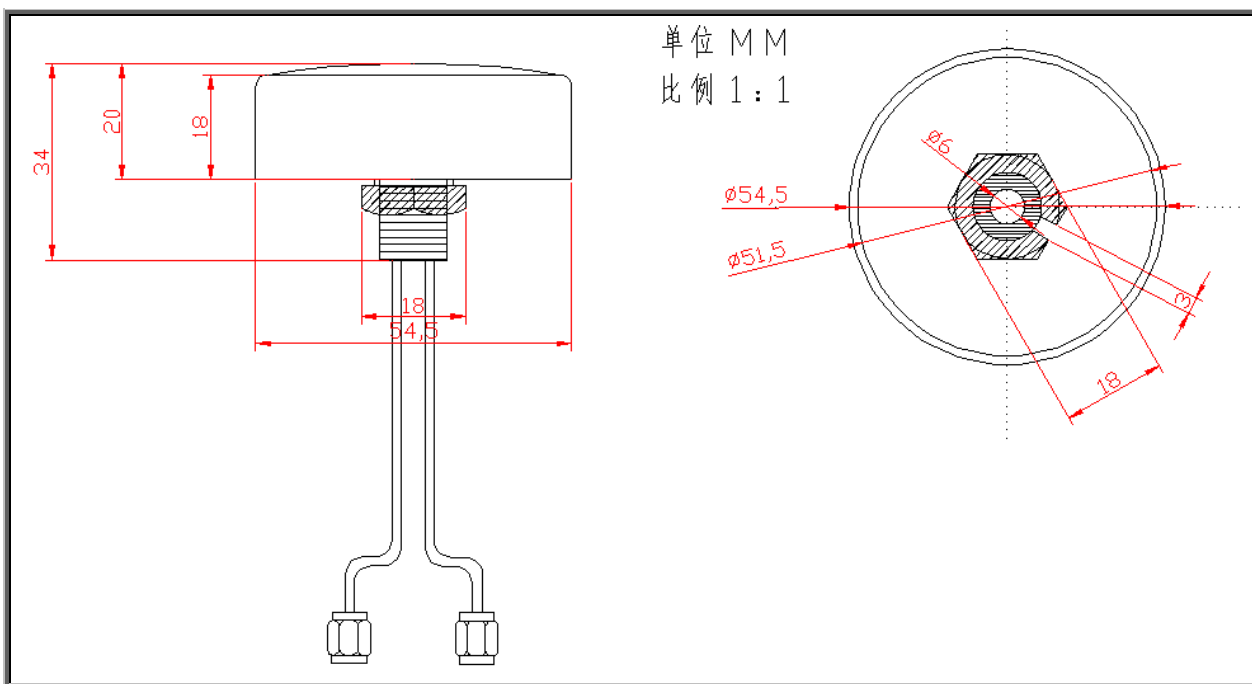
GSM Electrical Specifications	
Frequency Range (MHz)	800-2100Mhz
Input Impedence (Ω)	50
V.S.W.R	≤ 1.5
Gain (dBi)	3.0
Polarization Type	Vertical
Radiation Direction	Omnidirectional
Max Input Power (w)	50
Operating Temperature	-40 $^{\circ}$ C ~ +85 $^{\circ}$ C
Storing Temperature	-20 $^{\circ}$ C ~ +85 $^{\circ}$ C
Cable length (mm)	3000
Connector Type	SMA
Antenna size (mm)	D54*20MM
Radome Color	Black
Weight	140g



2、产品图片 (PRODUCT PICTURE)

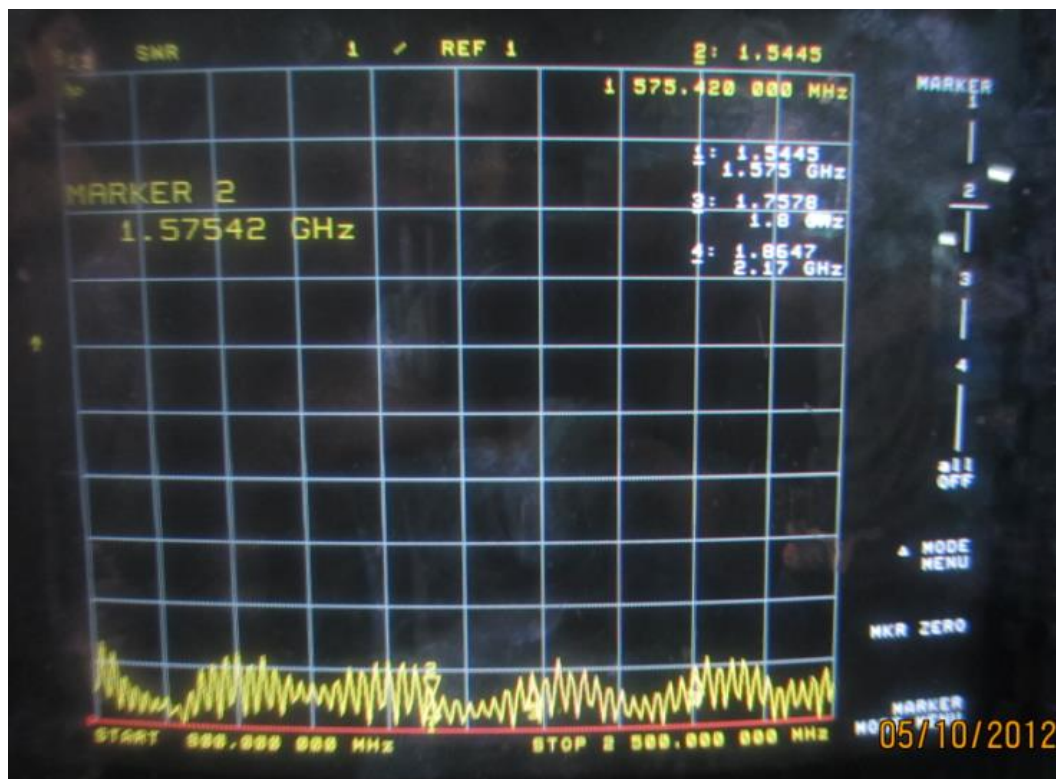


3、产品规格图 (PRODUCT SPECIFICATION CHART)

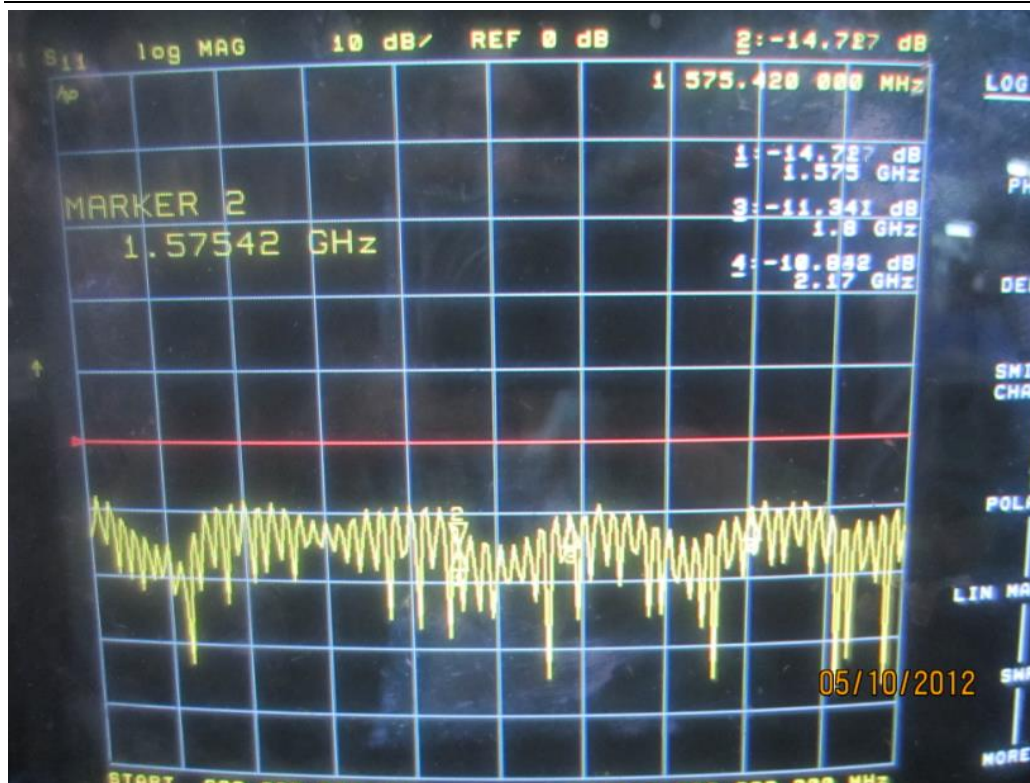




4.1 (STATIONARY WAVE PATTERN)



4.2 GPS RETURN LOSS TEST



4.3 GPS IMPEDANCE TEST



5.1 GSM STATIONARY WAVE PATTERN

