

**PRODUCT SPECIFICATION**

Part number: YNX-GNSS-SCREW-FAH-30cm  
Product description: GPS-GLONASS screw mount antenna  
Note: 1575.42mhz/1602mhz,  
screw mounting,  
FAKRA H connector,  
RG174 30cm cable

客户签名			深圳市雅诺讯科技有限公司		
核准	审核	检查	核准	审核	检查
			黄 杰 武	詹 秋 文	方 珊 梅

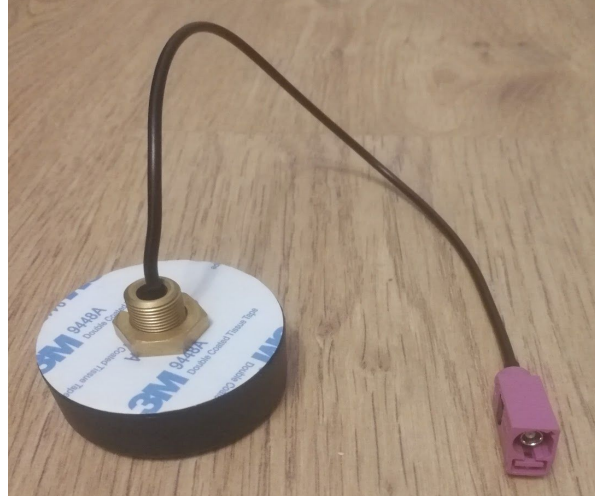
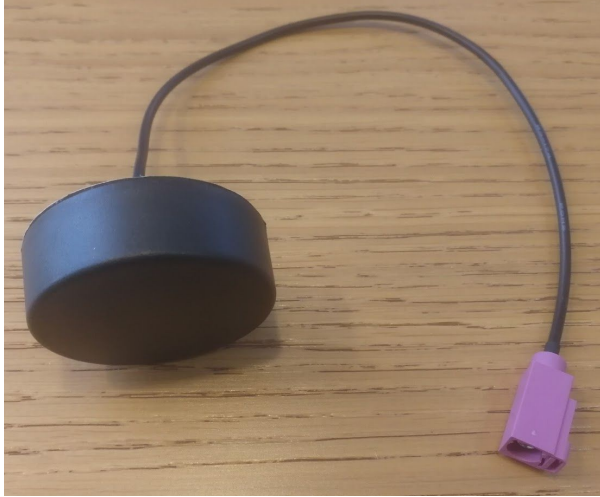
**Shenzhen Yetnorson Technology Co., Ltd.**

Website: <http://www.yetnorson.com/>  
E-mail: [sales06@ynxantenna.com](mailto:sales06@ynxantenna.com)

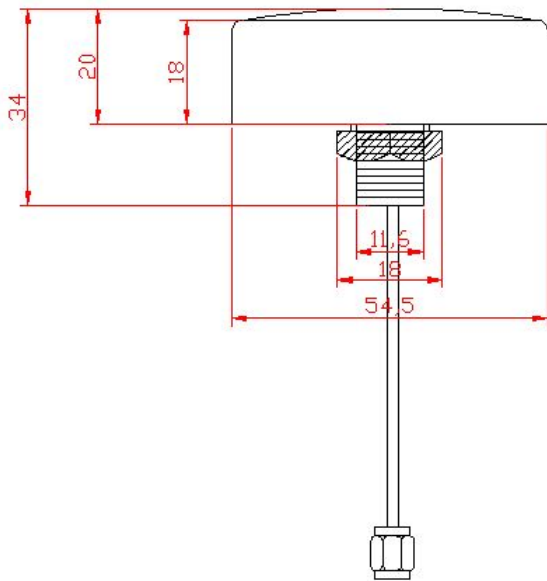
**1. PRODUCT TECHNICAL SPECIFICATION**

Center Frequency (MHz)	1575.42MHZ/1602MHZ
Input Impedance ( $\Omega$ )	50
V.S.W.R	$\leq 1.5$
Consumption Electric	<10mA
Polarization Intensity	R.H.C.P
Supply Voltage	DC3.3~5.0V
The Sound Coefficient	$\leq 1.5$ dB
Axial Ratio	3Db
Gain (dBi)	29dB $\pm$ 3dB(LNA)
Max Input Power (w)	5
VSWE(Output VSWE)	$\leq 1.8$
Operating Temperature	-40 $^{\circ}$ C~+85 $^{\circ}$ C
Storing Temperature	-40 $^{\circ}$ C~+90 $^{\circ}$ C
Color	Black
Cable	RG174
Cable length	30cm
Connector	FAKRA H
Weight (g)	56

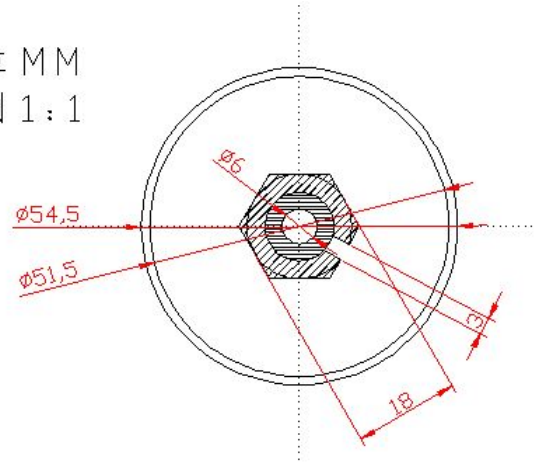
## 2. PRODUCT PICTURE



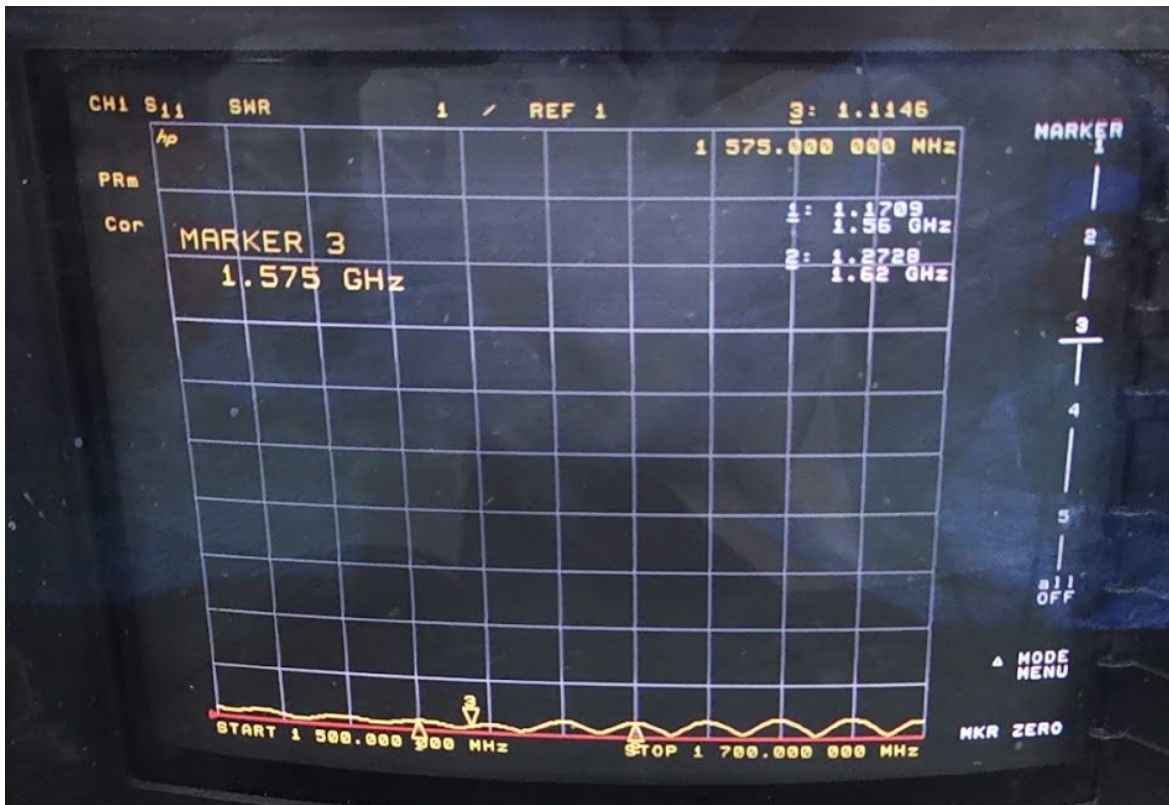
## 3. Drawing



单位 MM  
比例 1:1



## 4. TEST PICTURE VSWR



## RELATIVE GAIN



# SMITH CHART

