

824-960MHz Fiberglass Omnidirectional Antenna

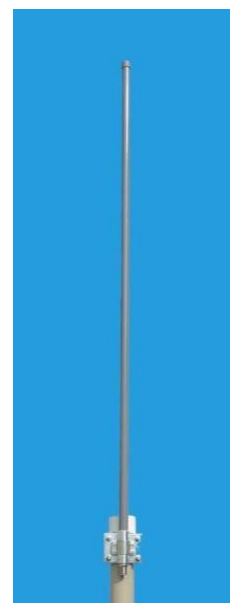
YNX-868mhz-10dbi-003

Feature :

- Exquisite appearance
- Good impact resistance, waterproofing and anticorrosion ability
- Full day working
- Optimized dimension
- High gain, low standing wave, strong anti-interference ability

Application :

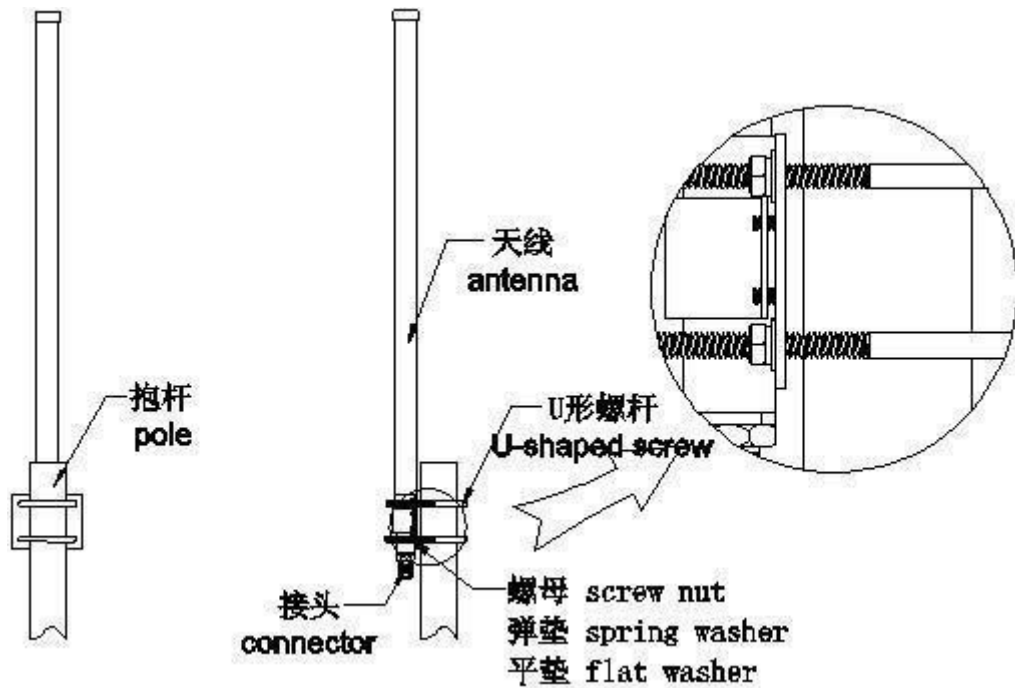
- GSM system, radio system, LoRa gateway
- Point-to-multipoint system



Electrical Specifications	
Frequency range (MHz)	868mhz
Bandwidth (MHz)	136
Gain (dBi)	10
Half-power beam width (°)	H:360 V:12
VSWR	≤1.5
Input Impedance (Ω)	50
Polarization	Vertical
Maximum input power (W)	100
Lightning protection	DC Ground
Input connector type	N Female or Requested
Mechanical Specifications	
Dimensions (mm)	Φ20*1650
Antenna weight (kg)	0.70
Operating temperature (°c)	-40~60
Rated Wind Velocity (m/s)	60
Radome color	Gray
Mounting way	Pole-holding
Mounting hardware (mm)	Φ 35- Φ 50

Antenna Installation Instructions

Install as the picture below



Installation Steps

1. Place the M6 U-shape screw through the holes on the clamps to mount the antenna to the pole whose outer diameter is $\phi 35 \sim \phi 50\text{mm}$. Then put on the flat washer, the spring washer and twist all the nuts.
2. There should be at least three meters between the ground or floor and the antenna above. No huge building or metal object or any other obstacle or shelter nearby.
3. Adjust the mounting height of the antenna to the proper position to receive the best signal then seal all the connections.
4. Please pay attention to lightning protection.