

PRODUCT SPECIFICATION

Part number: YNX-433Mhz-2dB-003
Product description: 433 MHz Antenna
Issue Date: 2014-06-14
Note: SMA MALE RA

客户签名			深圳市雅诺讯科技有限公司		
核准	审核	检查	核准	审核	检查
			黄杰武		方珊梅

**Shenzhen Yetnorson Technology Co., Ltd.**

Website: <http://www.yetnorson.com/>
E-mail: sales06@ynxantenna.com

1. PRODUCT TECHNICAL SPECIFICATION

Electrical Specifications	
Frequency Range (MHz)	433
Input Impedance (Ω)	50
V.S.W.R	≤ 1.5
Polarization	Vertical
Gain (dBi)	2.1
Max Input Power (w)	50
Mechanical Specifications	
Antenna Length (mm)	51
Material	Plastic
Connect Type	SMA-J (can be customized)
Working temperature	-40...+85°C
Radome Color	Black
Weight (g)	5.3

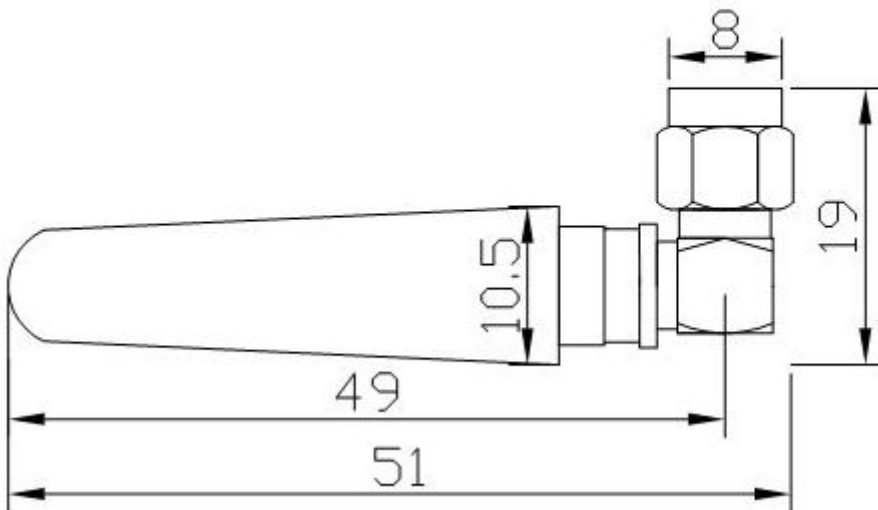
2. PRODUCT PICTURE



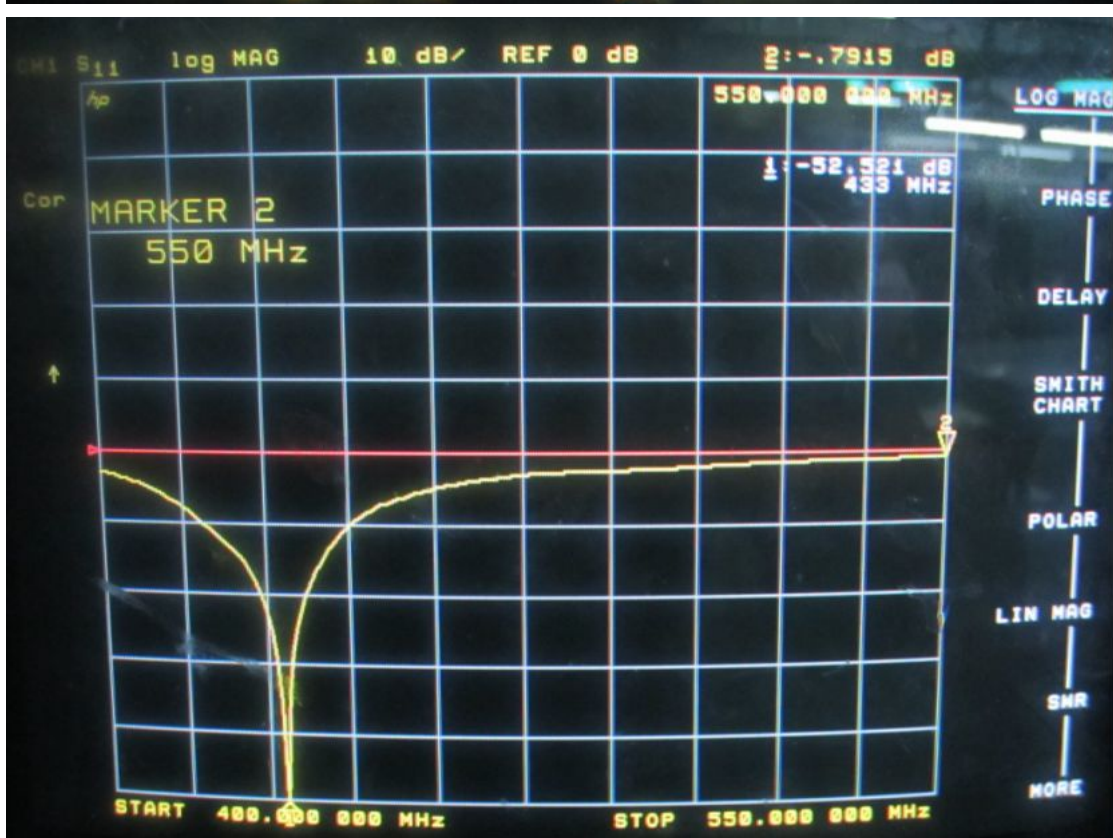
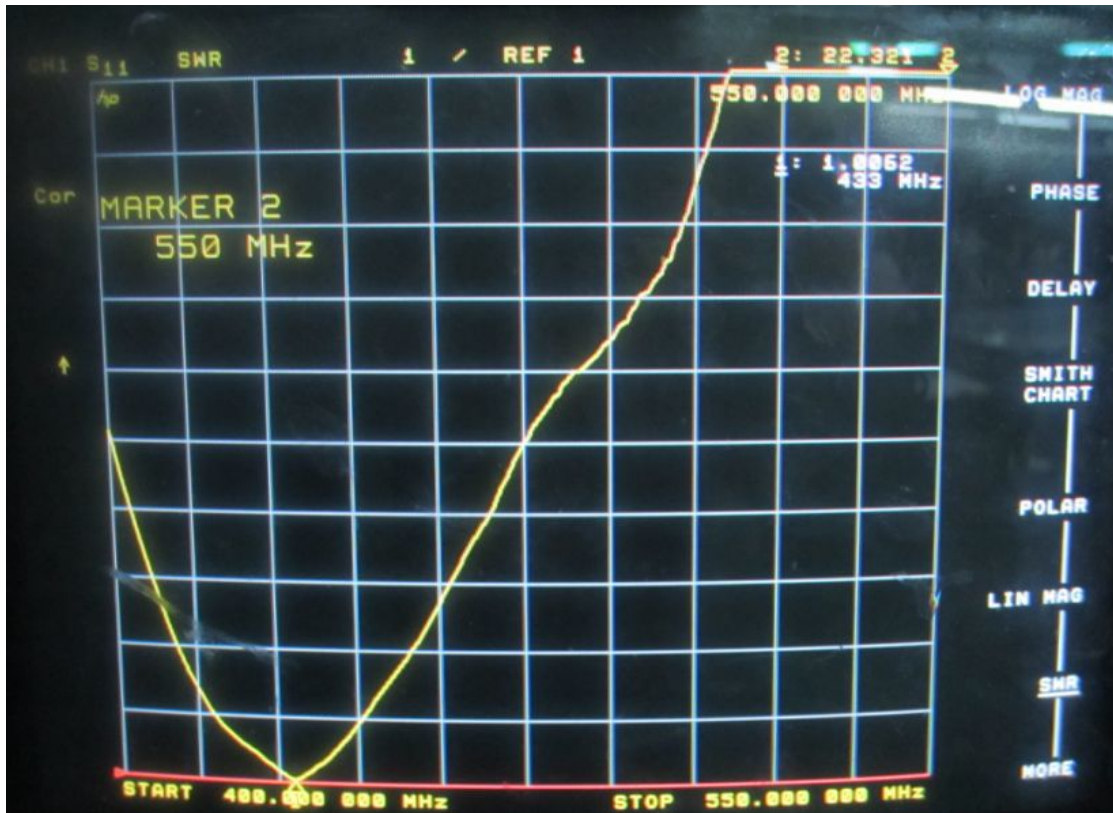
3. Drawing

单位: mm

比例: 1:1



4. STATIONARY WAVE PATTERN



CERTIFICATE OF REGISTRATION



MOODY INTERNATIONAL CERTIFICATION

*This is to certify that the
Quality Management Systems of:*

深圳市雅诺讯科技有限公司

中国广东省深圳市龙岗区龙城街道爱联建新社区新城路永成鞋厂永成三巷2号厂房4楼

经摩迪国际认证有限公司审核，其质量管理体系符合ISO 9001: 2000标准之要求。
在持续遵循有关认证条例的基础上，准予注册。此认证结果为国际认可论坛(IAF)质
量管理体系认证多边互认协议MLA成员认可。

本证书加贴年度监督防伪标签后，方为有效。

认证范围：通讯设备、通讯天线、车载电视天线的制造和销售。

注册号：**110512095**

For the Company



For the Governing Board

签发日期：2010年01月13日

有效日期：2013年01月12日

The use of the Accreditation Mark indicates accreditation in respect of those activities covered by the Accreditation Certificate 014. The certificate remains the property of Moody International Certification Limited to whom it must be returned on request.

TÜV Rheinland (Shenzhen) Co., Ltd.
34/F., World Financial Center
4003 Shennan East Road
Shenzhen 518001
P. R. China



Certificate

Registration No.: 163036997
Report No.: Z08807784

Holder: Shenzhen Yetnorson Technology Co., Ltd.

Product: Communication Antenna

Product and its accessories comply with RoHS Directive
2002/95/EC
Please refer to test report No. Z08807784

Tested acc. To: 2002/95/EC

The certificate of conformity refer to the above mentioned product. This is certify that the specimen is in conformity with the standards mentioned above. This certificate does not imply assessment of the production of the product and does not permit the use of a TÜV Rheinland mark of conformity.

TÜV Rheinland (Shenzhen) Co., Ltd
Shenzhen, 10-07-2010

