



产品规格书

PRODUCT SPECIFICATION

Customer:

Customer's part number:

Product description: 4G antenna

Uni Link's part number:

Issue Date: 2016-3-15

Note: 4G ,SMA

客户签名			深圳市雅诺讯科技有限公司		
核准	审核	检查	核准	审核	检查
			黄 杰 武	詹 秋 文	方 珊 梅

Shenzhen Yetnorson Technology Co., Ltd.



一、目录

1、 PRODUCT TECHNICAL SPECIFICATION

2、 PRODUCT PICTURE

3. DRAWING

4、 TEST PICTURE



1、PRODUCT TECHNICAL SPECIFICATION

4G Electrical Specifications	
Frequency Range (MHz)	600--2700MHZ
Input Impedence (Ω)	50
V.S.W.R	≤ 2
Gain (dBi)	5
Polarization Type	Vertical
Power Capacity (w)	50
Mechanical Specifications	
Radiator	Cuprum
Connect Type	SMA
Working Temp($^{\circ}$ C)	-40~60
Radome Color	black
Weight (g)	180

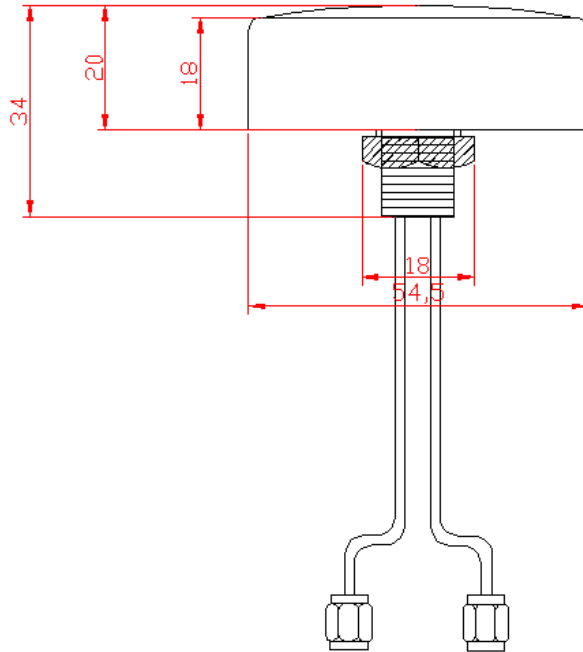


2、产品图片 (PRODUCT PICTURE)



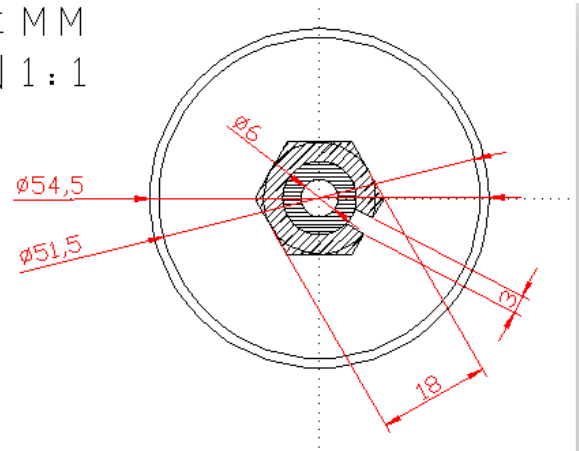


3. Drawing



单位 MM

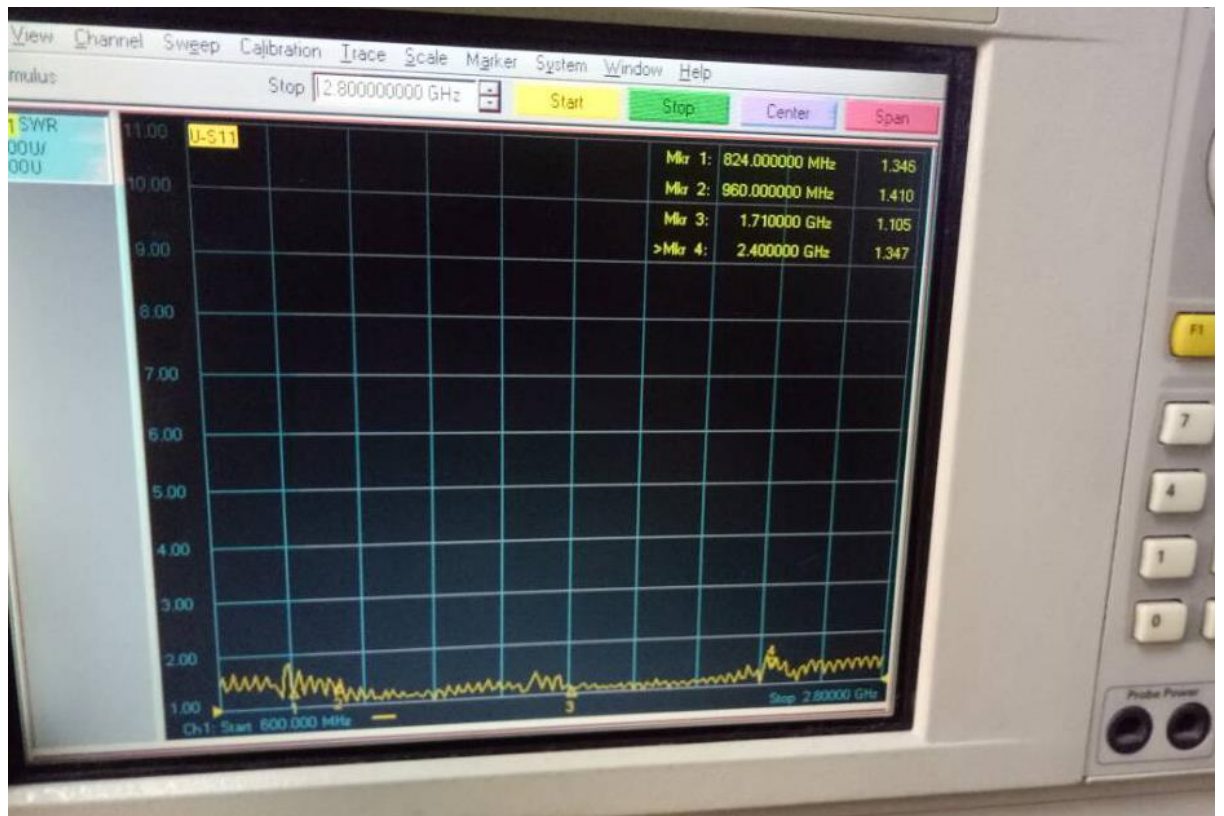
比例 1:1





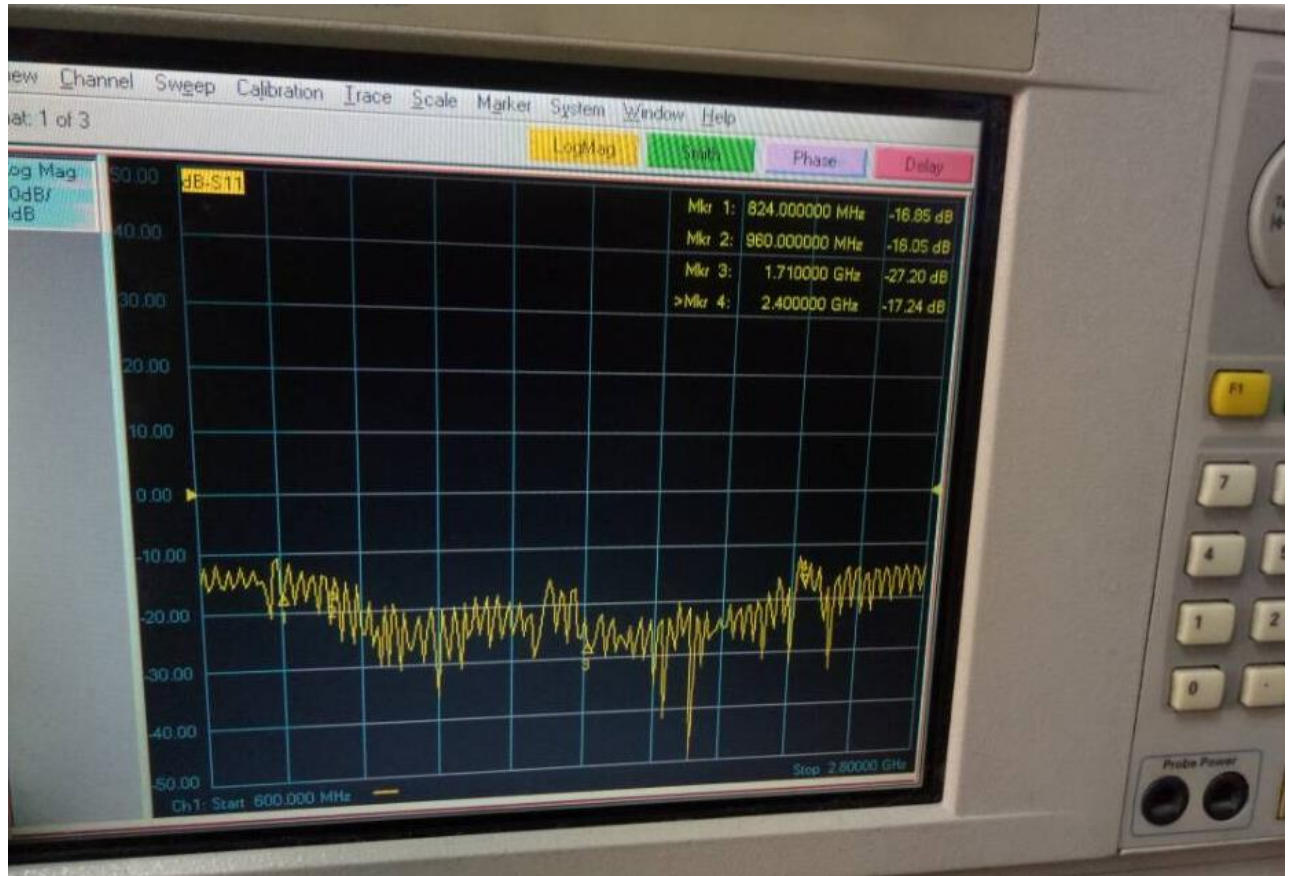
4、TEST PICTURE

VSWR





Return loss





SMITH

