

Part No.: YNX-2525-2Z-015

Customer:

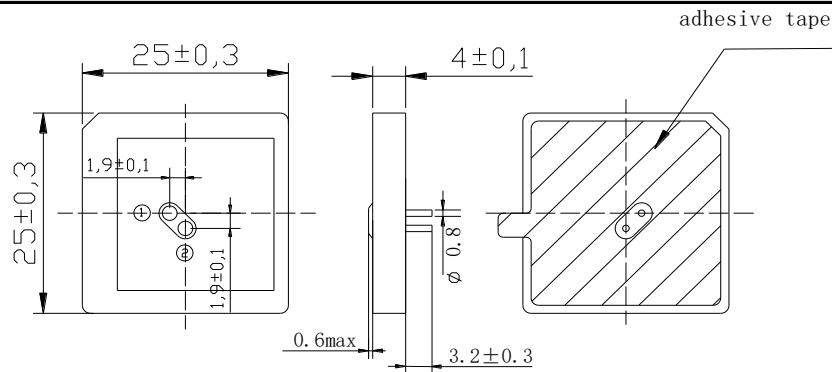
Date:2017-2-10

Written by	Checked by	Approval
2017. 2. 10	2017. 2. 10	2017. 2. 10

**ELECTRICAL SPECIFICATIONS**

Items	Content	UNIT	
1	Center frequency (without tape on 70×70mm ground plane)	1582.0±4.5	MHz
2	*Peak Gain at 1561 MHz typ	-0.4	dBiC
3	*Peak Gain at 1575MHz typ	3.2	dBiC
	*Peak Gain at 1602 MHz typ	1.5	dBiC
	Axial Ratio at 1559~1610MHz dB max	4.0	
4	VSWR at 1559~1610MHz max	2.0	
5	Impedance	50	Ω
6	Frequency Temperature Coefficient	20ppm/deg.°C max	

**MECHANICAL SPECIFICATIONS**



**Impedance Characteristic**

