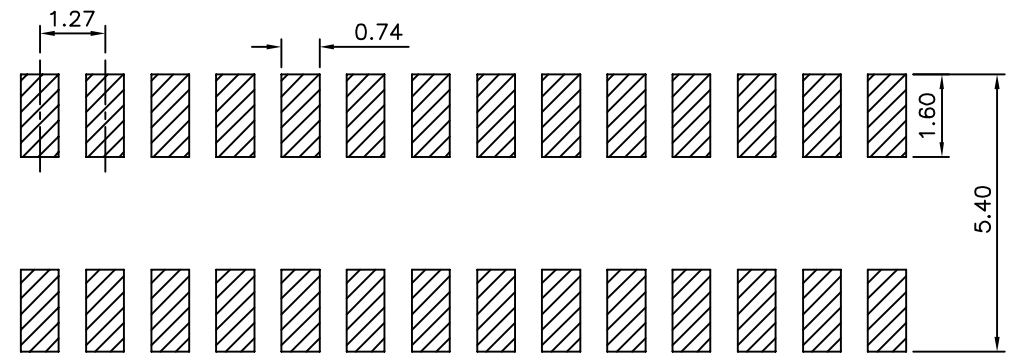


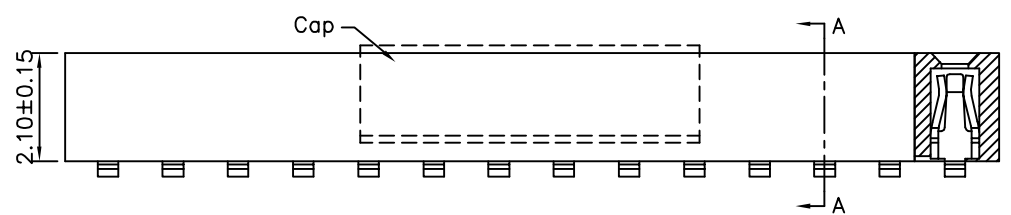
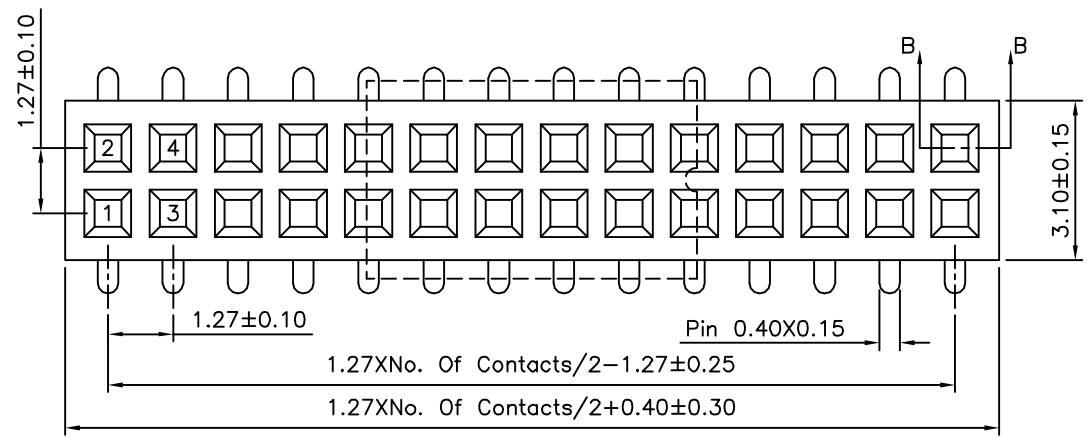
**SPECIFICATION**  
 Current Rating:1.0 Amp  
 Withstand Voltage:500V AC/DC  
 Contact Resistance:20 Milliohms Max.  
 Insulation Resistance:1000 Megaohms Min.  
 Operation Temperature:-40°C~+105°C  
 Contact:Phosphor Bronze,Gold Plated Over Nickel  
 Insulator:PA9T+30%G.F.(UL94V-0),Black  
 RoHS Compliant

YA V X 24 - 2 X XX C - RXXX - H  
 (1) (2) (3) (4) (5) (6) (7) (8) (9)

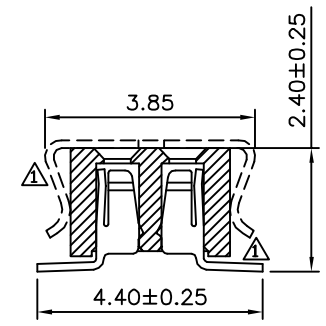
- (1) YA:1.27X1.27mm Female Header
- (2) V:SMT Straight
- (3) X:Without Post
- (4) 24:2.4mm Total Height
- (5) 2:Dual Row
- (6) XX:No. Of Position/Per Row
- (7) C:With Cap
- (8) RXXX:Tape & Reel
- (9) H:RoHS Compliant



Recommended P.C.B Layout(Top Side)  
 (PCB Board Tolerance:±0.05)



Section B-B



Section A-A

**AUK** A MEMBER OF AUK GROUP  
**太聯事業股份有限公司**  
**AUK CONTRACTORS CO., LTD.**

CATEGORY		APPROVED BY		UNLESS OTHERWISE SPECIFIED TOLERANCES ARE .X ±0.40 .XX ±0.25 .XXX ±0.15 ANG. ±3°
PART No. YAVX24-2XXXC-RXXX-H		EMILY		
DRAWING No. YAVX24-2XXXC-RXXX-H		CHECKED BY HZF		
SCALE NONE		DRAWING BY HAO		
REV.	A4	UNIT mm	NO. REV.	

△A4	Modify Data	HZF	03/18/2015
△A3	Modify Data	HZF	05/19/2014
△A2	Modify Data	HZF	12/16/2013
△A1	Modify Data	HZF	11/06/2013
△A0	NEW RELEASE	HZF	03/13/2013
NO. REV.	REVISIONS	CHK	DATE