

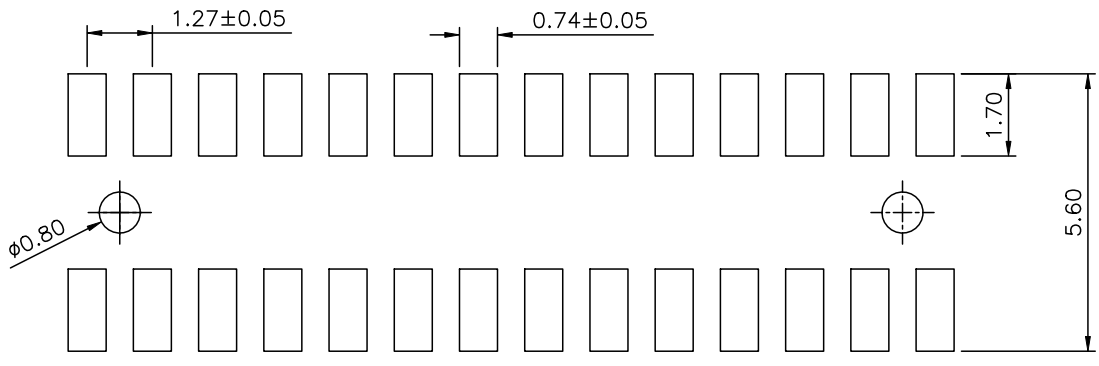
SPECIFICATION

Current Rating:1A
 Withstand Voltage:500V AC/Minute
 Contact Resistance:20 Milliohms Max.
 Insulation Resistance:1000 Megaohms Min.
 Operating Temperature:-40°C~+105°C
 Insulator:PA6T+30%G.F.(UL94V-0),Black
 Contact:Phosphor Bronze,Gold Flash Over Nickel
 RoHS Compliant

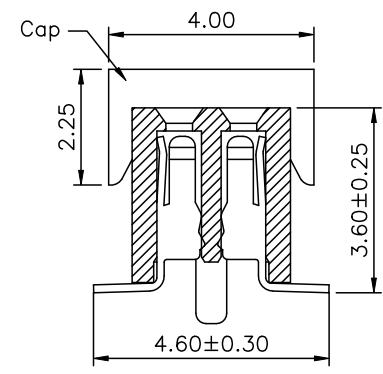
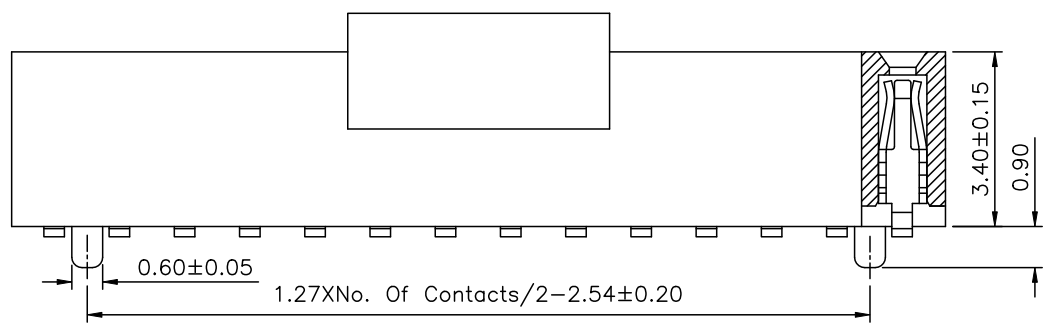
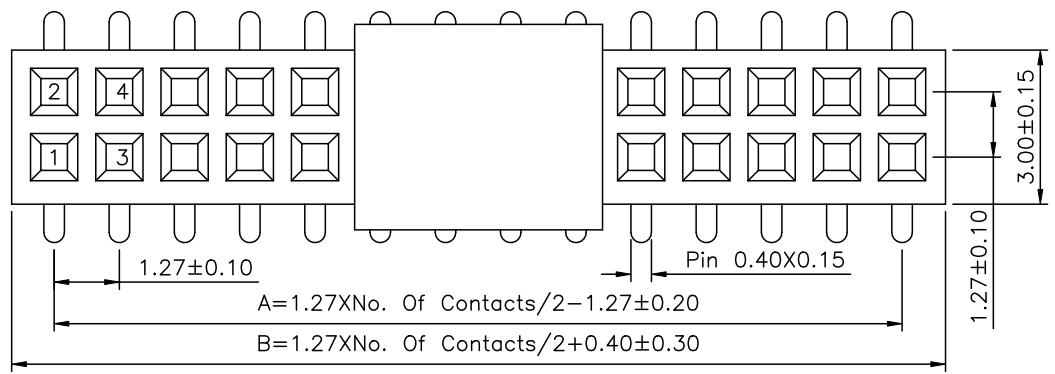
YA V P 36 - 2 X XX C - H
 (1)(2)(3)(4) (5) (6)(7) (8)

- (1) YA:1.27X1.27mm Female Header
- (2) V:SMT Straight
- (3) P:With Post
- (4) 36:3.6mm Total Height
- (5) 2: Dual Row
- (6) XX:No. Of Position/Per Row
- (7) C:With Cap
- (8) H:RoHS Compliant

| Pin | A | B | Pin | A | B |
|-----|-------|-------|-----|-------|-------|
| 06 | 2.54 | 4.21 | 54 | 33.02 | 34.69 |
| 08 | 3.81 | 5.48 | 56 | 34.29 | 35.96 |
| 10 | 5.08 | 6.75 | 58 | 35.56 | 37.23 |
| 12 | 6.35 | 8.02 | 60 | 36.83 | 38.50 |
| 14 | 7.62 | 9.29 | 62 | 38.10 | 39.77 |
| 16 | 8.89 | 10.56 | 64 | 39.37 | 41.04 |
| 18 | 10.16 | 11.83 | 66 | 40.64 | 42.31 |
| 20 | 11.43 | 13.10 | 68 | 41.91 | 43.58 |
| 22 | 12.70 | 14.37 | 70 | 43.18 | 44.85 |
| 24 | 13.97 | 15.64 | 72 | 44.45 | 46.12 |
| 26 | 15.24 | 16.91 | 74 | 45.72 | 47.39 |
| 28 | 16.51 | 18.18 | 76 | 46.99 | 48.66 |
| 30 | 17.78 | 19.45 | 78 | 48.26 | 49.93 |
| 32 | 19.05 | 20.72 | 80 | 49.53 | 51.20 |
| 34 | 20.32 | 21.99 | 82 | 50.80 | 52.47 |
| 36 | 21.59 | 23.26 | 84 | 52.07 | 53.74 |
| 38 | 22.86 | 24.53 | 86 | 53.34 | 55.01 |
| 40 | 24.13 | 25.80 | 88 | 54.61 | 56.28 |
| 42 | 25.40 | 27.07 | 90 | 55.88 | 57.55 |
| 44 | 26.67 | 28.34 | 92 | 57.15 | 58.82 |
| 46 | 27.94 | 29.61 | 94 | 58.42 | 60.09 |
| 48 | 29.21 | 30.88 | 96 | 59.69 | 61.36 |
| 50 | 30.48 | 32.15 | 98 | 60.96 | 62.63 |
| 52 | 31.75 | 33.42 | 100 | 62.23 | 63.90 |



Recommended P.C.B. Layout



AUK A MEMBER OF AUK GROUP
太聯事業股份有限公司
AUK CONTRACTORS CO., LTD.

| | | | | |
|-------------------------------|------|-------------------|----|--|
| CATEGORY | | APPROVED BY | | UNLESS OTHERWISE SPECIFIED TOLERANCES ARE .X ±0.30 .XX ±0.20 |
| PART No. YAVP36-2XXXC-H | | MEI | | |
| DRAWING No. YAVP36-2XXXC-H | | CHECKED BY HZF | | |
| SCALE | | DRAWING BY CYP | | |
| SCALE | NONE | REV. | A0 | UNIT mm |

| | | | | |
|---------|-----------|-------------|-----|------------|
| △ | AO | NEW RELEASE | HZF | 06/04/2017 |
| NO.REV. | REVISIONS | | CHK | DATE |