



PHILIPS

Lighting



Xitanium Outdoor LED Drivers Programmable

Xitanium 75W 0.35-0.7A GL Prog sXt

Philips Xitanium Full Programmable LED drivers are specifically designed to deliver the highest performance, protection and configurability. The portfolio offers both central and stand-alone dimming protocols, further increasing the energy savings and CO₂ reductions achieved with LED lighting. The Xtreme technology ensures maximum robustness and protection combined with a very long lifetime.

Product data

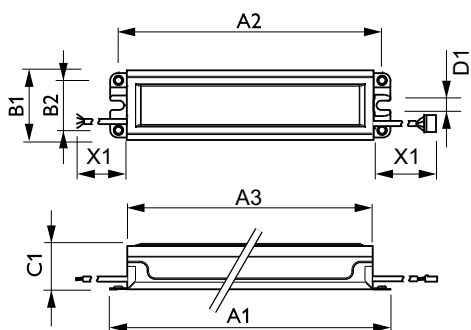
General Information		Output Voltage	
Constant light output	Programmable	Output Voltage	80-152 V
Number of Products on MCB (16A Type B) (Max)	7	Inrush Current Width to 50% of Peak	140 µs
Operating and Electrical		Wiring	
Input Frequency	50 to 60 Hz	Control Wire Length	500 mm
Total Harmonic Distortion IEC (Max)	20 %	Output Wire Length	500 mm
Output Current Ripple (Nom)	30 %	Control Wire Cross Section (Nom)	0.82 mm ²
Maximum Efficiency	92 %	Output Wire Cross Section (Nom)	0.82 mm ²
Power Factor 100% Load (Min)	0.97	Input Wire Cross Section (Nom)	0.82 mm ²
Output Current (Nom)	Programmable (350-700) mA	Temperature	
Output Current Tolerance (Max)	5 %	T-Ambient (Max)	55 °C
Output Current Tolerance (Min)	-5 %	T-Ambient (Min)	-40 °C
Input Voltage (AC)	120-277 V	T-Case Lifetime (Nom)	71 °C
Power Factor 50% Load (Min)	0.92	T-Case Maximum (Max)	80 °C
Earth Leakage Current (Max)	0.7 mA	Module Temperature Protection	Programmable
Input Current (Max)	350 mA	T-Case Switch Off (Nom)	92 °C
Input Power (Nom)	85 W	Controls and Dimming	
Inrush Current Peak (Max)	108 A	Control Interface	1-10V/DALI/Dynadimmer
Output Power (Nom)	30-75 W		

Xtitanium Outdoor LED Drivers Programmable

Dimming Range	100-10 %
Lumistep Dimming Time	-
Lumistep Dimming Time After Midpoint	-
Mechanical and Housing	
Housing Color	Black
Approval and Application	
Surge Protection (Common/Differential)	3/3 kV
IP Classification	IP 66 [Ingress Protection 66]
Isolation Classification	Class II
Approval Marks	ENEC certificate CE marking RoHS compliance

Product Data	
Full product code	871829111887900
Order product name	Xtitanium 75W 0.35-0.7A GL Prog sXt
EAN/UPC - Product	8718291999799
Order code	929000702302
Numerator - Quantity Per Pack	1
Numerator - Packs per outer box	10
Material Nr. (12NC)	929000702302
Net Weight (Piece)	1.048 kg

Dimensional drawing



Xtitanium 75W 0.35-0.7A GL Prog sXt

Product	D1	A2	B2	C1	A1	A3	X1	B1
Xtitanium 75W	8 mm	226.2	42.9	37.1	240.5	211.1	500	59.1
0.35-0.7A GL		mm	mm	mm	mm	mm	mm	mm
Prog sXt								

