



Features

- External dimensions: 11.5 x 4.5 x 3.68mm.
- Frequency range: 3.579545MHz ~ 64MHz.
- Surface mount type crystal units.
- A great number of standard frequencies.
- High frequency pullability and low equivalent series resistance.
- Highly mass production capability.
- Applications: PC, STB, LCDM and Cable Modem.

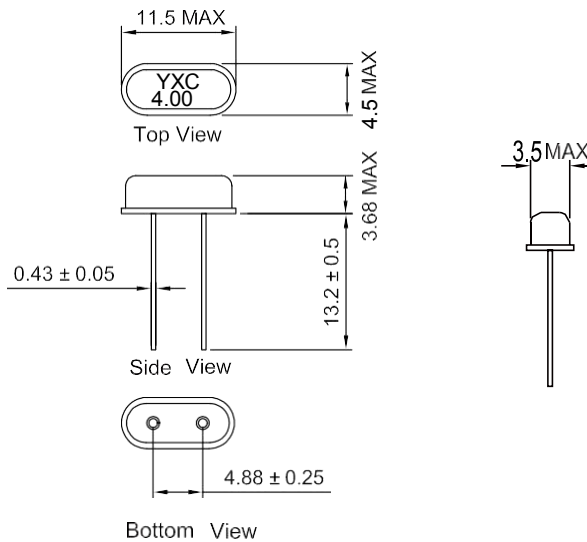
Electrical Specifications

Part Number	X49SD4MQD2SI
Frequency	4MHz
Vibration Mode	AT Fundamental
Load Capacitance	16pF
Frequency Tolerance (at 25 °C)	± 20 ppm
Frequency Versus Temperature Characteristics	± 30ppm
Operating Temperature	- 40 ~ + 85 °C
Storage Temperature	- 40 ~ + 105 °C
Shunt Capacitance	7 pF Max.
Level Of Drive	1 ~ 500 μ W (100 μ W typical)
Frequency Aging (at 25 °C)	± 3 ppm / year Max.

Equivalent Series Resistance(ESR)

Fundamental		3rd Overtone	
3.579545 ~ 4 MHz	150 Ω Max.	20 ~ 25 MHz	100 Ω Max.
4 ~ 5 MHz	120 Ω Max.	25 ~ 64 MHz	80 Ω Max.
5 ~ 6 MHz	100 Ω Max.		
6 ~ 7 MHz	80 Ω Max.		
7 ~ 10 MHz	60 Ω Max.		
10 ~ 27 MHz	40 Ω Max.		

Dimensions



Units: mm

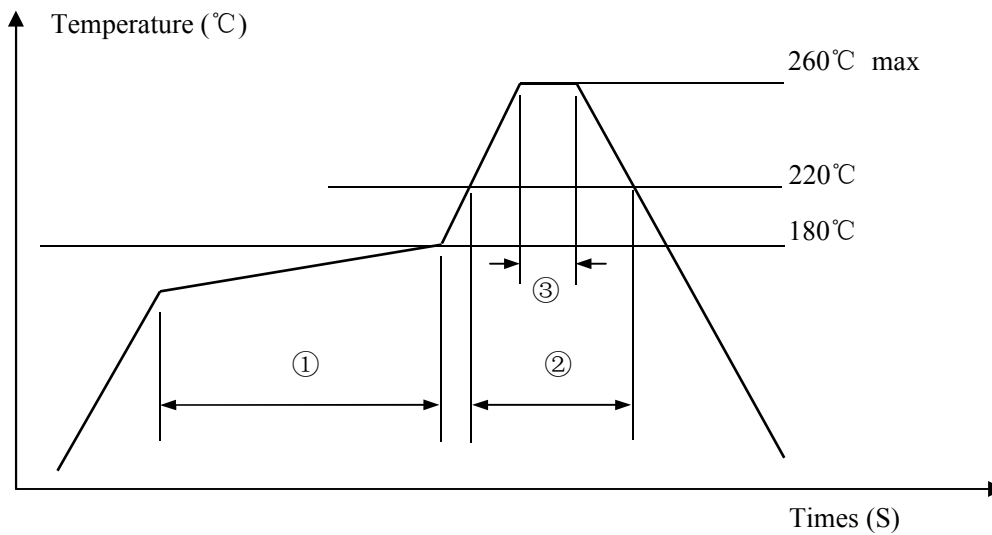


★ PART NUMBER GUIDE 部件号示例 e.g. X49SD4MQD2SI

HC-49US=11.5 × 4.5 DIP SEAMTYPE

Quartz Crystal Resonator	Dimensions	Frequency (MHz)	Load Capacitance (Pf)	Frequency Stability Overall (ppm)	Pin	Material	Operating Temp. Range
Passive Crystal	49s Size	4.00M	16pf	±20ppm	2 Pin	Metal	-40~+85℃

★ WAVE SOLDERING PROFILE 波峰焊特性



Pb free reflow A	①	Preheat	160~180℃	120sec. max
	②	Primary heat	220℃	60sec. max
	③	Peak	260℃	10sec. max.