

### Features



- External dimensions: 3.2 x 1.5 x 0.75 mm.
- Frequency range: 32.768KHz.
- 2 pads surface mount package.
- Application for NB, Smart Phone, variety of compact portable consumer products reference clocks.
- High reliable environmental performance.

### Electrical Specifications

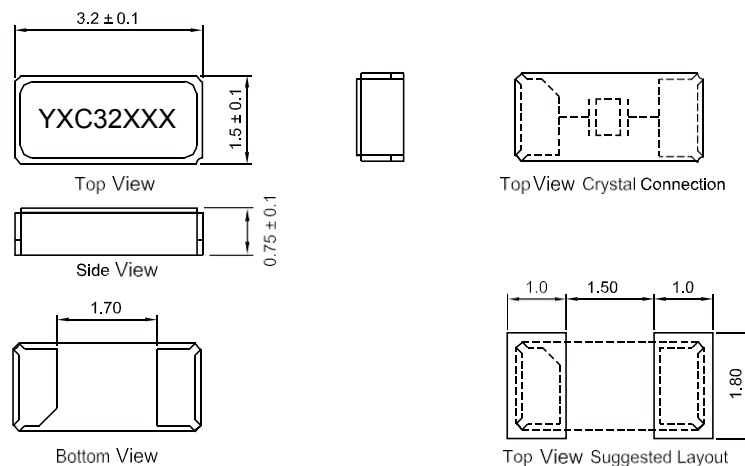
Item / Type	YST310S
Nominal Frequency Range	32.768 KHz
Vibration Mode	AT Fundamental
Load Capacitance	12.5 pF
Frequency Tolerance (at 25 °C)	± 10 ppm
Operating Temperature	- 40 ~ + 85 °C
Storage Temperature	- 55 ~ +125 °C
Shunt Capacitance	1.5pF typical
Level Of Drive	0.1 μW Max.
Frequency Aging (at 25 °C)	± 3 ppm / year Max.
Insulation Resistance	500 MΩ Min.
Motional Capacitance	6.7pF typical
Turnover Temperature	25 °C ± 5 °C
Parabolic Coefficient	( - 0.03 ± 0.01 ) * 10 <sup>-6</sup> / °C <sup>2</sup>

### Equivalent Series Resistance(ESR)

#### Fundamental

70 KΩ Max

### Dimensions

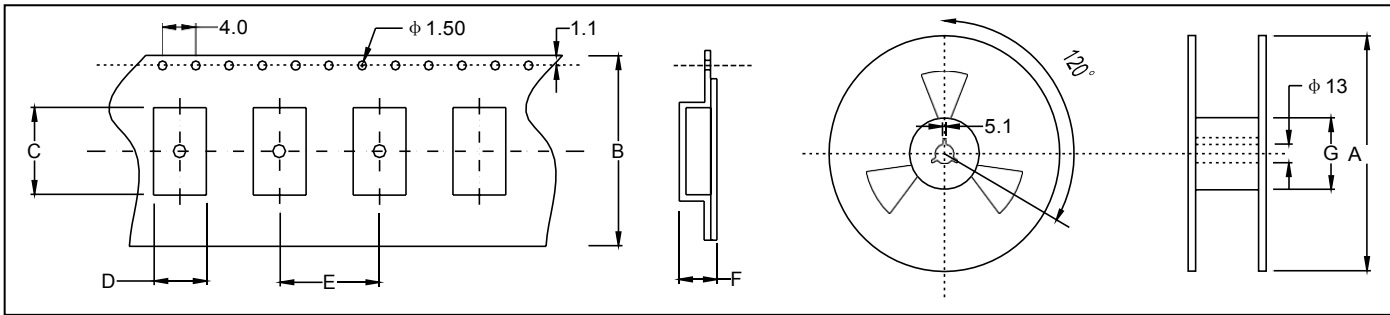


Units: mm

★ PART NUMBER GUIDE 部件号示例 e.g. X3215327 68 KG D2SI YST310S=3.2×1.5 SMD SEAM TYPE

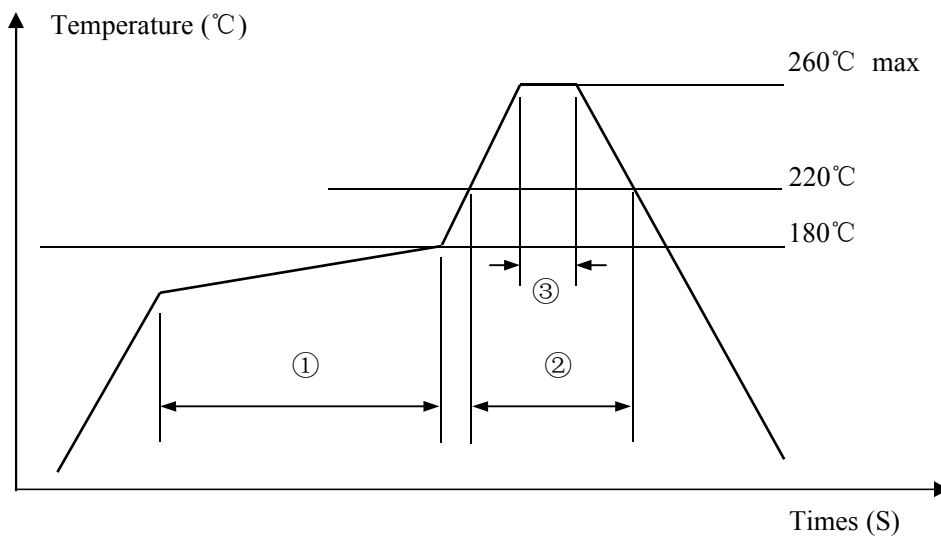
Quartz Crystal Resonator	Dimensions	Frequency (Hz)	Load Capacitance (Pf)	Frequency Stability Overall (ppm)	Pin	Material	Operating Temp. Range
X	3215	32768K	G	D	2	S	I

★ TAPING SPECIFICATION (Unit: mm) 编带规格



	A	B	C	D	E	F	G
SMD3215	180±2.0	12.0±0.3	3.45±0.10	1.75±0.10	3.84±0.1	1.0±0.10	60.0±1.0
3000 pcs per reel							

★ REFLOW SOLDERING PROFILE 回流焊特性



Pb free reflow A	①	Preheat	160~180°C	120sec. max
	②	Primary heat	220°C	60sec. max
	③	Peak	260°C	10sec. max.