

Features



- External dimensions: 2.0 x 6.0 mm.
- Frequency range: 5408 kHz
- Frequency tolerance(standard): ± 20 ppm.
- Excellent Reliability Performance.
- Applications: Clock and Microcomputer.

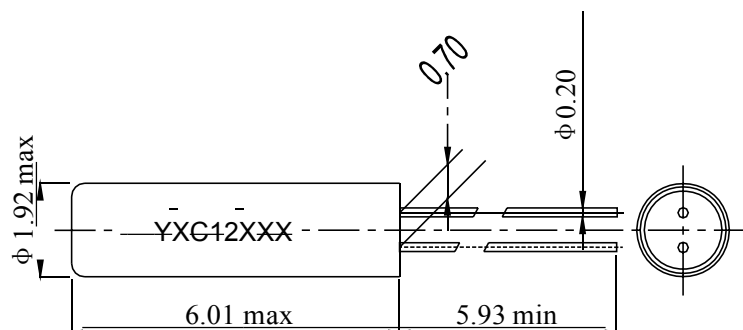
Electrical Specifications

Item / Type	YT-26
Nominal Frequency Range	32,768 kHz
Vibration Mode	AT Fundamental
Load Capacitance	6pF
Frequency Tolerance (at 25 °C)	± 20 ppm
Frequency Versus Temperature Characteristics	± 30 ppm
Operating Temperature	-40 ~ + 85 °C
Storage Temperature	-40 ~ + 85 °C
Shunt Capacitance	7 pF Max.
Level Of Drive	1 ~ 100 μ W (1.0 μ W Tvp)
Insulation Resistance	More Than 500M Ω at DC 100V
Frequency Aging (at 25 °C)	± 3 ppm / year Max.

Equivalent Series Resistance(ESR)

Fundamental	
6.000-9.999MHz	120 Ω Max.
10.000-19.999MHz	100 Ω Max.
20.000MHz-27.000MHz	80 Ω Max.

Dimensions

Units: mm(± 0.1 mm)