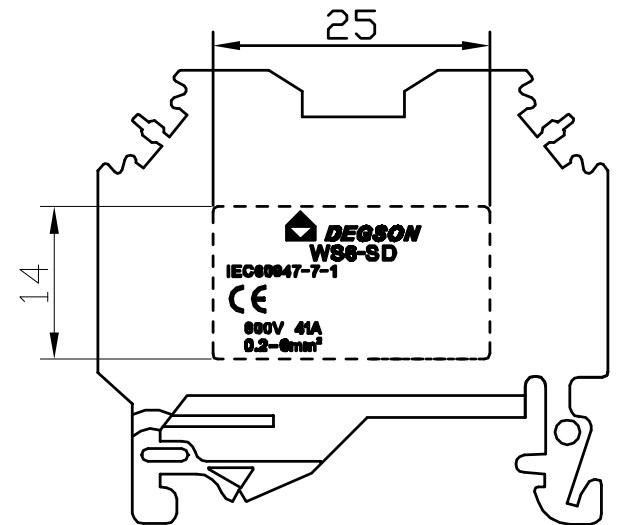
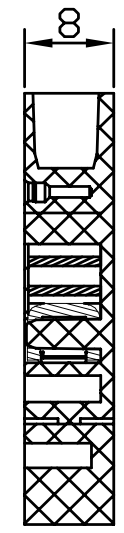
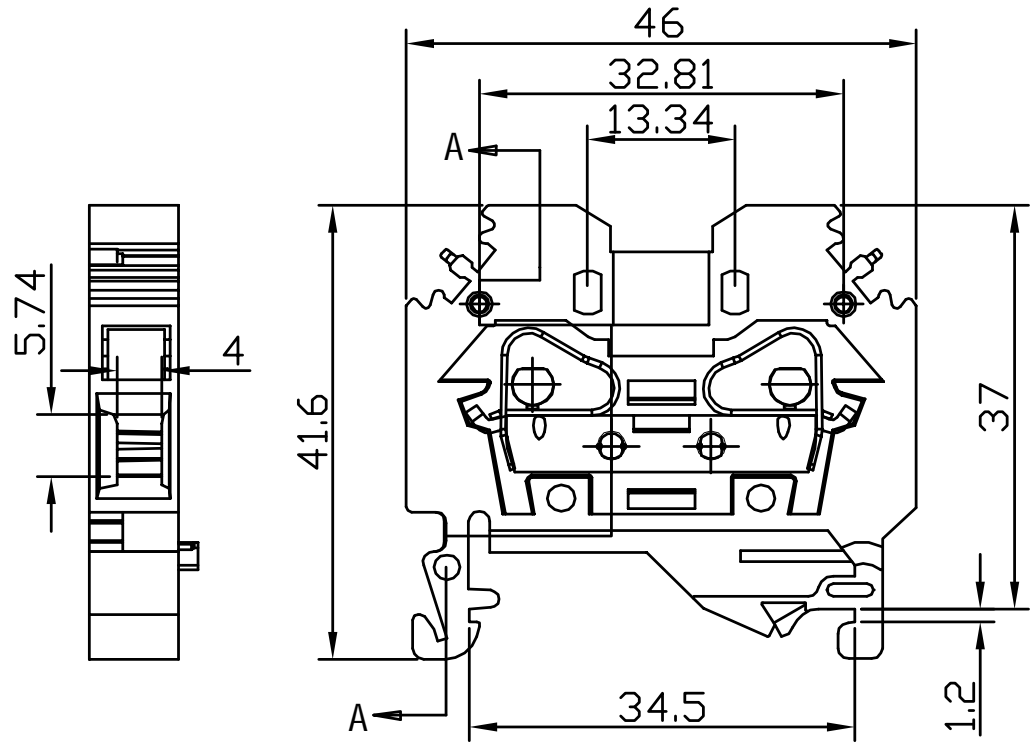
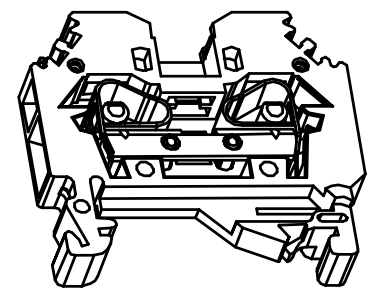
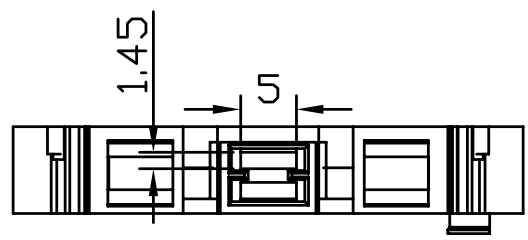


REVISION RECORD				
REV	ECD	DESCRIPTION	DRFT	DATE

Notes:

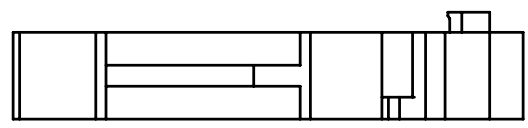
- Rated voltage/current:UL1059 600V/30A
IEC 800V/41A
- Operation temperatures:-40℃~+105℃
- Withstanding Voltage:AC8000V/1Min
- Insulation Resistance:5000MΩ/DC1000V
- Wire Range:24~10AWG, 6.0mm²
- Undimensioned Tolerances:

Pitch range in mm		Nominal dimension range in mm				
to	over	to	over	over	over	over
6	6 to 10	10 to 24	30 to 60	60 to 100	100 to 150	150 to 200
±0.10	±0.15	±0.25	±0.2	±0.3	±0.5	±0.7 ± 1.0



WS6-SD-01P-1Y-00AH
WS6-SD - series
Y = 1 (Grey Color of Housing)

3	WS6-Shrapnel	X00001880(H)	2	Stainless steel	
2	WS6-SD-Current carrier	6062B00010(H)	1	copper	SnCe
1	WS6-SD-Housing	6062A0Y01A(H)	1	PA66	
ITEM	NAME OF PART	NO. OF PART	Q'TY	MATERIAL	NOTES



DETACHED LISTS	MM (INCH)	DF TO HXG	DATE 07/22/08	宁波高正电子有限公司 NINGBO DEGSON ELECTRICAL CO., LTD.
	TOLERANCES EXCEPT AS NOTED	CHKD	DATE	
		MFD	DATE	
		APPVL	DATE	
	MM			NAME
	.0 ±	±		WS6-SD-01P-1Y-00A (H)
	.00 ±	±		DRAWING NO. WS6-SD-E01
	.000 ±	±		/PART NO.
	ANGLES ± 1°	G.E :		SIZE A3
	THIRD ANGLE PROJECTION	FINISH:		REV TO 07/12/08
		SCALE : 1:1		DO NOT SCALE DRAWING
				SHEET 1 OF 1