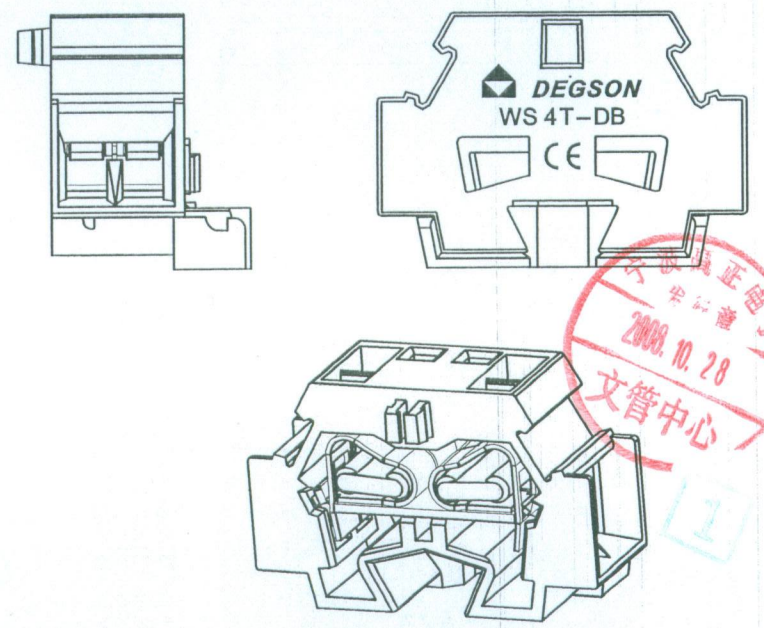
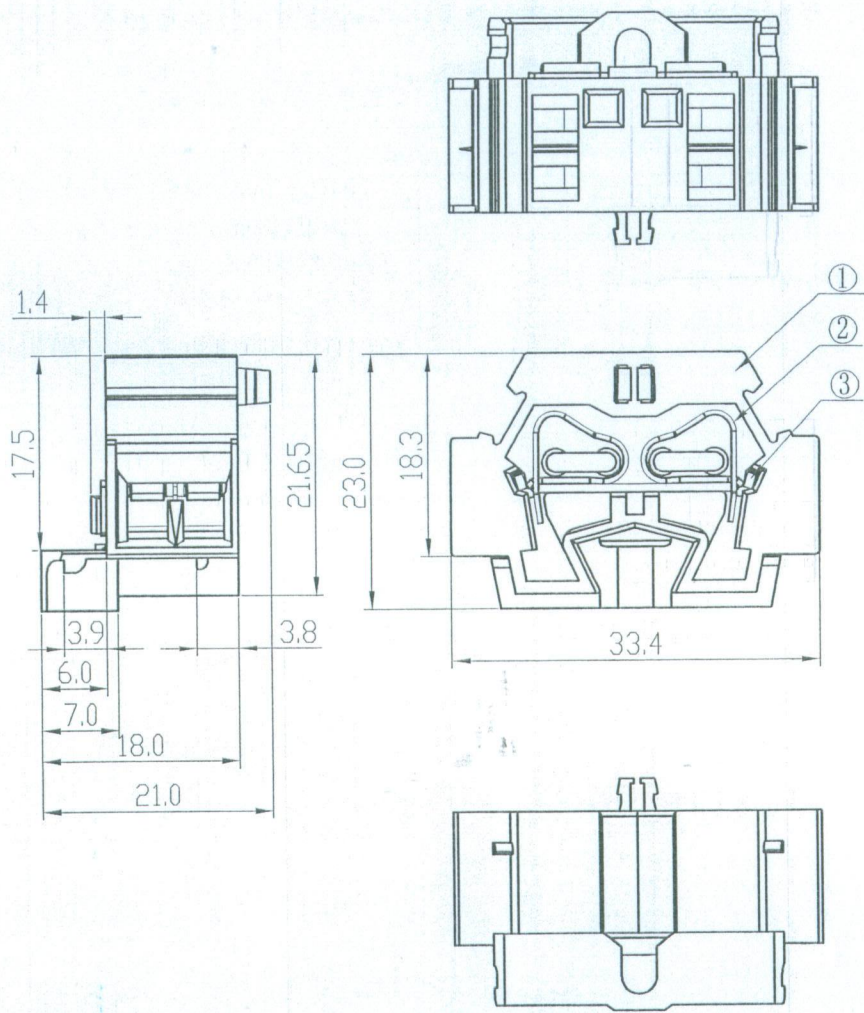


| REVISION RECORD |     |             |      |      |
|-----------------|-----|-------------|------|------|
| REV             | ECD | DESCRIPTION | DRFT | DATE |
|                 |     |             |      |      |



Notes:

- Rated voltage/current: UL1059 300V/20A  
IEC 630V/32A
- Operation temperatures: -40°C ~ +105°C
- Withstanding Voltage: AC2500V/1Min
- Insulation Resistance: 5000MΩ/DC1000V
- Wire Range: 28~12AWG, 4mm<sup>2</sup>
- Undimensioned Tolerances:

| Pitch range in mm |       | Nominal dimension range in mm |      |      |      |      |      | —        |   |
|-------------------|-------|-------------------------------|------|------|------|------|------|----------|---|
| to                | over  | to                            | over | to   | over | to   | over | —        |   |
| 6                 | 10    | 10                            | 30   | 30   | 60   | 60   | 100  | 150      | ∩ |
| 6                 | 10    | 10                            | 30   | 30   | 60   | 60   | 100  | 150      | □ |
| ±0.10             | ±0.15 | ±0.25                         | ±0.2 | ±0.3 | ±0.5 | ±0.7 | ±1.0 | 0.05/1.0 |   |

| 3  | WS 4T-DB-Current-Carrier | 6155B00010 (H) | 1           | Copper          | SnCe                       |                   |               |     |      |  |                  |               |  |          |  |  |             |      |  |                        |         |  |            |                      |  |  |  |  |
|--|--------------------------|----------------|-------------|-----------------|----------------------------|-------------------|---------------|-----|------|--|------------------|---------------|--|----------|--|--|-------------|------|--|------------------------|---------|--|------------|----------------------|--|--|--|--|
| 2  | WS 4-Shrapnel            | X000000600 (H) | 4           | Stainless steel |                            |                   |               |     |      |  |                  |               |  |          |  |  |             |      |  |                        |         |  |            |                      |  |  |  |  |
| 1  | WS 4T-DB-Housing         | 6155A0Y01A (H) | 1           | PA66            | UL94V-0                    |                   |               |     |      |  |                  |               |  |          |  |  |             |      |  |                        |         |  |            |                      |  |  |  |  |
| ITEM   | NAME OF PART             | NO. OF PART    | Q'TY        | MATERIAL        | NOTES                      |                   |               |     |      |  |                  |               |  |          |  |  |             |      |  |                        |         |  |            |                      |  |  |  |  |
| <table border="1"> <tr> <td>MM (INCH)</td> <td>DFTD Yangys</td> <td>DATE 10/23/08</td> </tr> <tr> <td>TOLERANCES EXCEPT AS NOTED</td> <td>CHKD <i>Huang</i></td> <td>DATE 10/27/08</td> </tr> <tr> <td>MFD</td> <td>DATE</td> <td></td> </tr> <tr> <td>APPLV <i>ASG</i></td> <td>DATE 10/18/08</td> <td></td> </tr> <tr> <td>MATERIAL</td> <td colspan="2"></td> </tr> <tr> <td>ANGLES ± 1°</td> <td colspan="2">G.E.</td> </tr> <tr> <td>THIRD ANGLE PROJECTION</td> <td colspan="2">FINISH:</td> </tr> <tr> <td>SCALE: 1:1</td> <td colspan="2">DO NOT SCALE DRAWING</td> </tr> </table> |                          | MM (INCH)      | DFTD Yangys | DATE 10/23/08   | TOLERANCES EXCEPT AS NOTED | CHKD <i>Huang</i> | DATE 10/27/08 | MFD | DATE |  | APPLV <i>ASG</i> | DATE 10/18/08 |  | MATERIAL |  |  | ANGLES ± 1° | G.E. |  | THIRD ANGLE PROJECTION | FINISH: |  | SCALE: 1:1 | DO NOT SCALE DRAWING |  | 宁波高正电子有限公司<br>DEGSON®<br>DEGSON ELECTRONICS CO., LTD.<br>NAME: WS 4T-DB-01P-1Y-00A (H) |  |  |
| MM (INCH)  | DFTD Yangys              | DATE 10/23/08  |             |                 |                            |                   |               |     |      |  |                  |               |  |          |  |  |             |      |  |                        |         |  |            |                      |  |  |  |  |
| TOLERANCES EXCEPT AS NOTED   | CHKD <i>Huang</i>        | DATE 10/27/08  |             |                 |                            |                   |               |     |      |  |                  |               |  |          |  |  |             |      |  |                        |         |  |            |                      |  |  |  |  |
| MFD  | DATE                     |                |             |                 |                            |                   |               |     |      |  |                  |               |  |          |  |  |             |      |  |                        |         |  |            |                      |  |  |  |  |
| APPLV <i>ASG</i>   | DATE 10/18/08            |                |             |                 |                            |                   |               |     |      |  |                  |               |  |          |  |  |             |      |  |                        |         |  |            |                      |  |  |  |  |
| MATERIAL   |                          |                |             |                 |                            |                   |               |     |      |  |                  |               |  |          |  |  |             |      |  |                        |         |  |            |                      |  |  |  |  |
| ANGLES ± 1°  | G.E.                     |                |             |                 |                            |                   |               |     |      |  |                  |               |  |          |  |  |             |      |  |                        |         |  |            |                      |  |  |  |  |
| THIRD ANGLE PROJECTION   | FINISH:                  |                |             |                 |                            |                   |               |     |      |  |                  |               |  |          |  |  |             |      |  |                        |         |  |            |                      |  |  |  |  |
| SCALE: 1:1   | DO NOT SCALE DRAWING     |                |             |                 |                            |                   |               |     |      |  |                  |               |  |          |  |  |             |      |  |                        |         |  |            |                      |  |  |  |  |
| DRAWING NO. WS 4T-DB-E01   |                          |                |             | SIZE A3         | REV TO 10/23/08            |                   |               |     |      |  |                  |               |  |          |  |  |             |      |  |                        |         |  |            |                      |  |  |  |  |
| /PART NO.  |                          |                |             | SHEET 1         | OF 1                       |                   |               |     |      |  |                  |               |  |          |  |  |             |      |  |                        |         |  |            |                      |  |  |  |  |