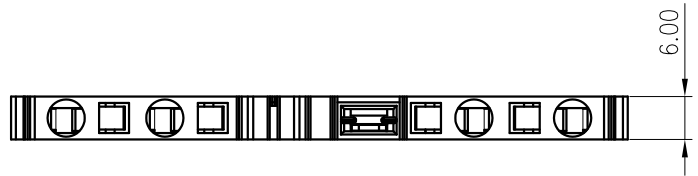
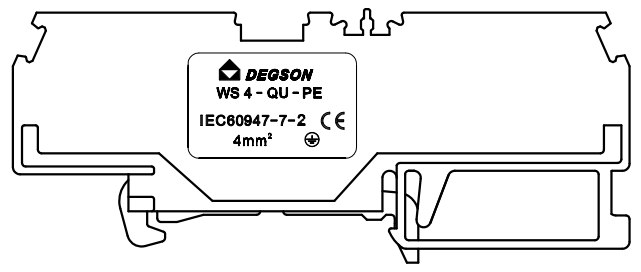
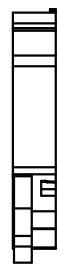
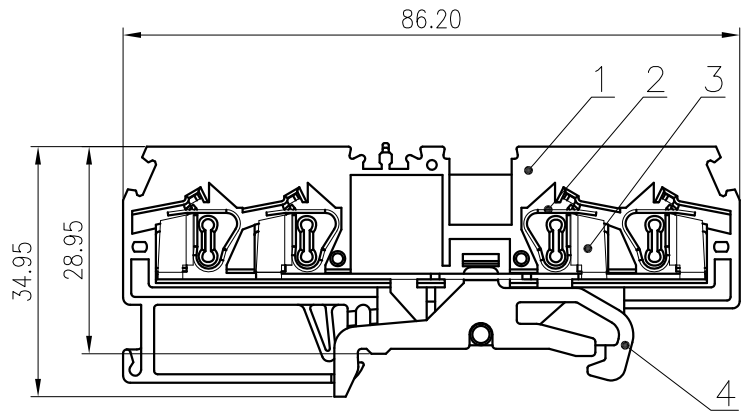


未注公差/General tolerances(mm)											0.1/10 ±Z		
0 ~ 3	>3 ~ 6	>6 ~ 10	>10 ~ 18	>18 ~ 30	>30 ~ 50	>50 ~ 80	>80 ~ 120	>120 ~ 180	>180 ~ 250	>250 ~ 315		>315 ~ 400	>400 ~ 500
±0.12	±0.18	±0.22	±0.26	±0.31	±0.37	±0.57	±0.80	±0.93	±1.05	±1.15	±1.60	±2.20	±2.50

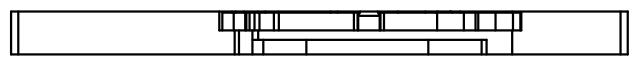
A



B



C



D

4	Grounding	Copper alloy	Sn Plated
3	Current carrier	Copper	Sn Plated
2	Spring	Stainless steel	
1	Housing	PA66	UL94V-0

ITEM	NAME OF PART	MATERIAL	NOTES
UL 标准/UL Standard:		B	C D
额定电压/电流/Rated Voltage(V)/Current(A)		/	/ /
IEC 标准/IEC Standard:			
过压类别/Overvoltage Category/污染等级/Pollution Degree		III/3	/ /
额定电压/电流/Rated Voltage(V)/Current(A)		/	/ /
额定脉冲电压(KV)/Rate Impulse Voltage(KV)		8.0	/ /
线径范围(硬线和软线)/Wire Range(rigid and flexible)(mm²/AWG)		0.2~4/28~12	
间距/Pitch(mm)		6.0	
剥线长度/Stripping length(mm)		10~12	
使用温度范围/Operating temperature(°C)		-40~+105	
符合RoHS环保要求/Conform to RoHS		Yes	
标准颜色编号/Standard color number:		PANTONE / RAL	

MATERIAL: /	SURFACE: /		
MAT NO.: /	宁波高松电子有限公司 NINGBO DEGSON ELECTRICAL CO., LTD		
STATUS: /			
APPD: Li GL 2020.04.04	NAME: WS4-QU-PE-01P-1C-00A(H)		
CHKD: Mao J 2020.04.04	DRAWING NO.: WS4-QU-PE-C01		
DRFT: Wang LX 2020.04.04	REV	T1	
SIZE: A4	TYPE: CUSTOMER DRAWING	SCALE: 1:1	SHEET 1/1

REV	ECN	DESCRIPTION	DRFT	DATE