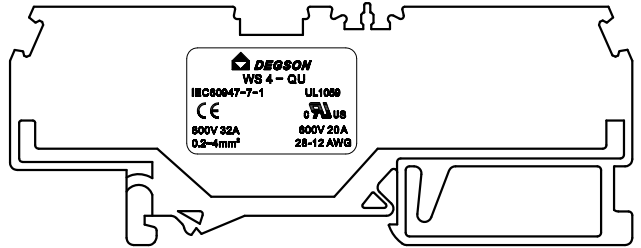
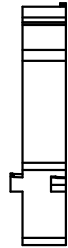
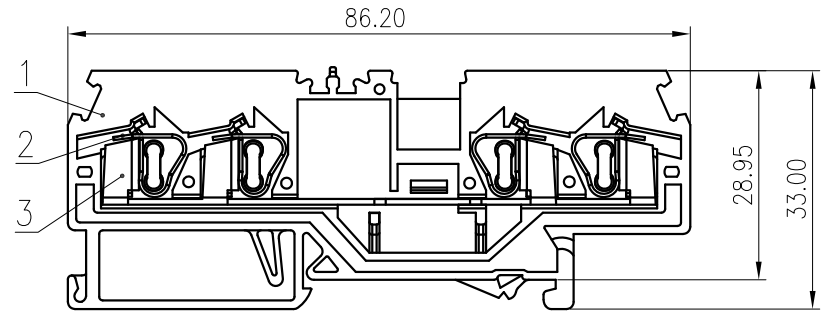
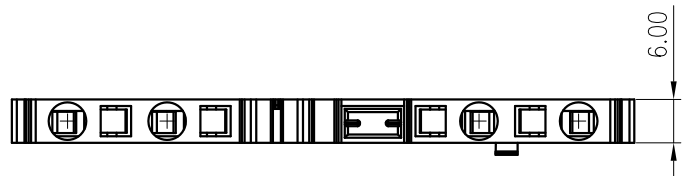


未注公差/General tolerances(mm)														
0	>3	>6	>10	>18	>30	>50	>80	>120	>180	>250	>315	>400	>500	0.1/10 ±Z
~3	~6	~10	~18	~30	~50	~80	~120	~180	~250	~315	~400	~500		
±0.12	±0.18	±0.22	±0.26	±0.31	±0.37	±0.57	±0.80	±0.93	±1.05	±1.15	±1.60	±2.20	±2.50	



WS4-QU-01P-1Y-00AH
WS4-QU - series
01P - no value
1 - no value
Y = 1 (grey color of housing)
00AH - no value

3	Current carrier	Copper	Sn Plated
2	Spring	Stainless steel	
1	Housing	PA66	UL94V-0
ITEM	NAME OF PART	MATERIAL	NOTES
UL 标准/UL Standard:		B	C
额定电压/电流/Rated Voltage(V)/Current(A)		600/20	600/20 600/5
IEC 标准/IEC Standard:			
过压类别/Overvoltage Category/污染等级/Pollution Degree		III/3	/ /
额定电压/电流/Rated Voltage(V)/Current(A)		800/32	/ /
额定脉冲电压(KV)/Rate Impulse Voltage(KV)		8.0	/ /
线径范围(硬线和软线)/Wire Range(rigid and flexible)(mm ² /AWG)		0.2~4/28~12(Sol)	
间距/Pitch(mm)		6.0	
剥线长度/Stripping length(mm)		10-12	
使用温度范围/Operating temperature(°C)		-40~+105	
符合RoHS环保要求/Conform to RoHS		Yes	
标准颜色编号/Standard color number:		/	
PANTONE / RAL		/	

MATERIAL: /	SURFACE: /
MAT NO.: /	宁波高松电子有限公司 NINGBO DEGSON ELECTRICAL CO., LTD
STATUS: /	
APPD: Li GL 2020.04.04	
CHKD: Mao J 2020.04.04	
DRFT: Wang LX 2020.04.04	NAME: WS4-QU-01P-1Y-00A(H)
DRAWING NO.: WS4-QU-C01	
REV	T1
SIZE: A4	TYPE: CUSTOMER DRAWING
SCALE: 1:1	SHEET 1/1

REV	ECN	DESCRIPTION	DRFT	DATE