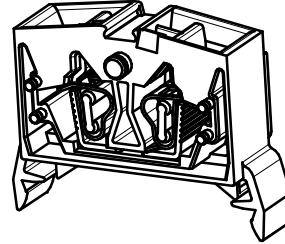


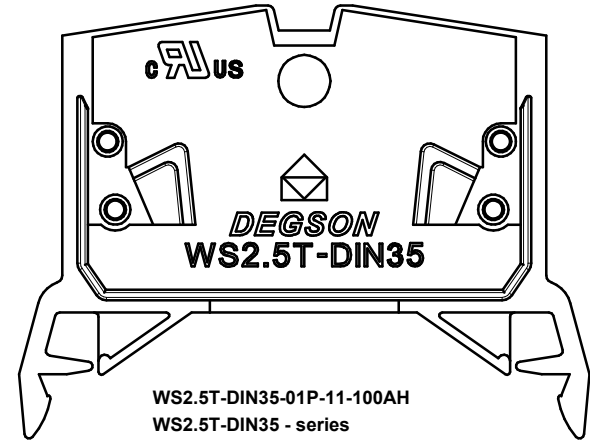
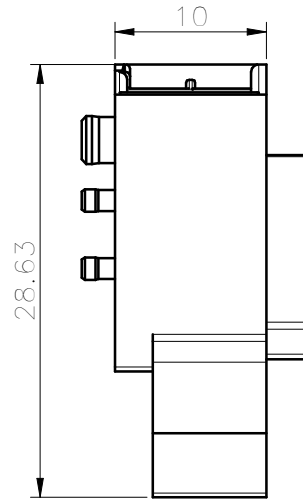
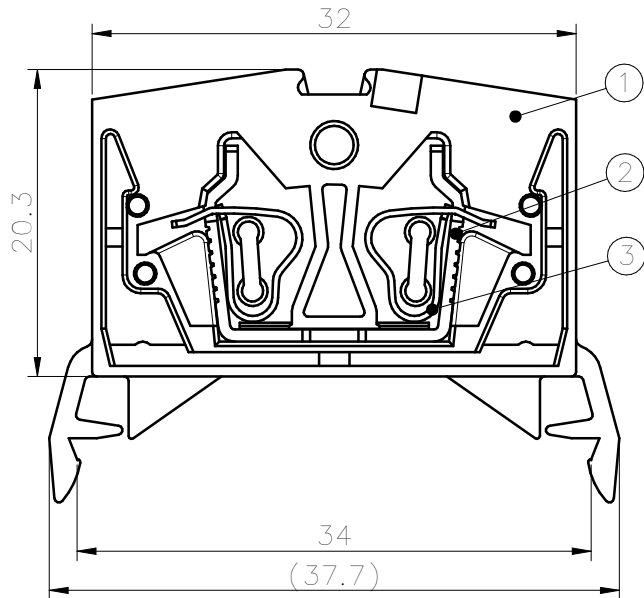
please refer to the 3D model,
for those unmarked dimensions



未注公差/General tolerances(mm)													0.1/10 ±2'
0 ~ 3	>3 ~ 6	>6 ~ 10	>10 ~ 18	>18 ~ 30	>30 ~ 50	>50 ~ 80	>80 ~ 120	>120 ~ 180	>180 ~ 250	>250 ~ 315	>315 ~ 400	>400 ~ 500	
±0.12	±0.18	±0.22	±0.26	±0.31	±0.37	±0.57	±0.80	±0.93	±1.05	±1.15	±1.60	±2.20	±2.50

UL 标准/UL Standard:	B	C	D
额定电压/电流/Rated Voltage(V)/Current(A)	600/20	600/20	600/5
IEC 标准/IEC Standard:			
过压类别/Overvoltage Category/污染等级/Pollution Degree	III/3	III/2	II/2
额定电压/电流/Rated Voltage(V)/Current(A)	800/24	/	/
额定脉冲电压(KV)/Rate Impulse Voltage(KV)	8	/	/
螺丝扭矩/Torque Tightening(N·m/Lb.in)		/	/
线径范围(硬线和软线)/Wire Range(rigid and flexible)(AWG/mm ²)		28~12 / 0.2~2.5	
间距/Pitch(mm)/线数范围/Poles		10/N=01P	
剥线长度/Stripping length(mm)		8~9	
使用温度范围/Operating temperature(°C)		-40~+105	
符合 RoHS 环保要求/Conform to RoHS		Yes	
标准颜色编号/Standard color number: PANTONE / RAL		/	/

3	Spring	Stainless steel	/
2	Current carrier	Copper	Sn Platde
1	Housing	PA66	UL94V-0
ITEM	NAME OF PART	MATERIAL	NOTES



WS2.5T-DIN35-01P-11-100AH
WS2.5T-DIN35 - series
01P - no value
1 - no value
1 - grey color of housing
100AH - no value

		MATERIAL:	SURFACE/COLOR:	
		MAT NO./REV: 11030000688-1 / 00	MAT STATUS: 小批量	
APPD: 李根旁	2021.12.17	NAME NINGBO DEGSON ELECTRICAL CO., LTD.		
CHKD: 马恩开	2021.12.14	WS2.5T-DIN35-01P-11-100A(H)		
DRFT: 马恩开	2021.12.14	DRAWING NO. 200044732	TYPE CUSTOMER DRAWING	DRAWING STATUS 已发布
REV	ECN	DESCRIPTION	SCALE 2:1	SHEET 1/1

00		2021.12.10新版发行	马恩开	2021.12.14
REV	ECN	DESCRIPTION	DRFT	DATE

Transfer or duplication of this document as well as the utilization or communication of its contents are prohibited unless authorized in writing by DEGSON. All rights reserved for patent, utility model or design registrations. 非经书面明确授权, 否则禁止转让、复制、利用、交流本文件的内容。 未经授权, 不得复制或传播本文件的内容。 本公司保留对涉及发明、实用新型和外观设计的所有权利。