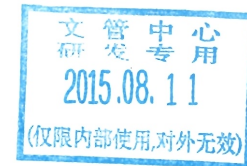


REVISION RECORD

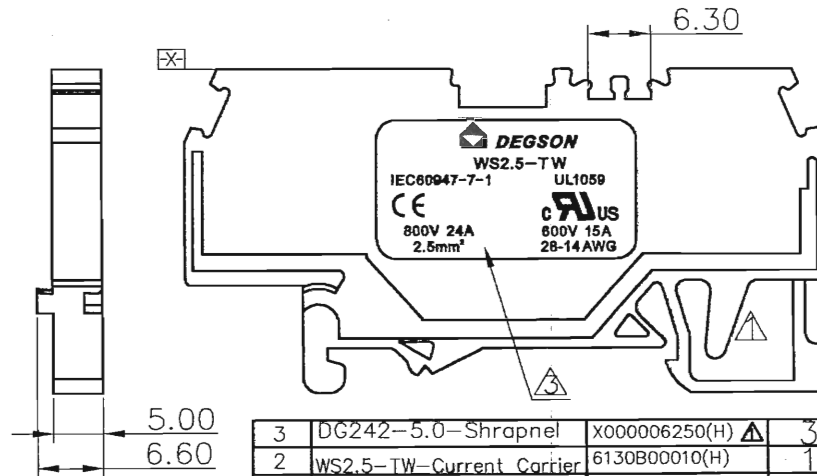
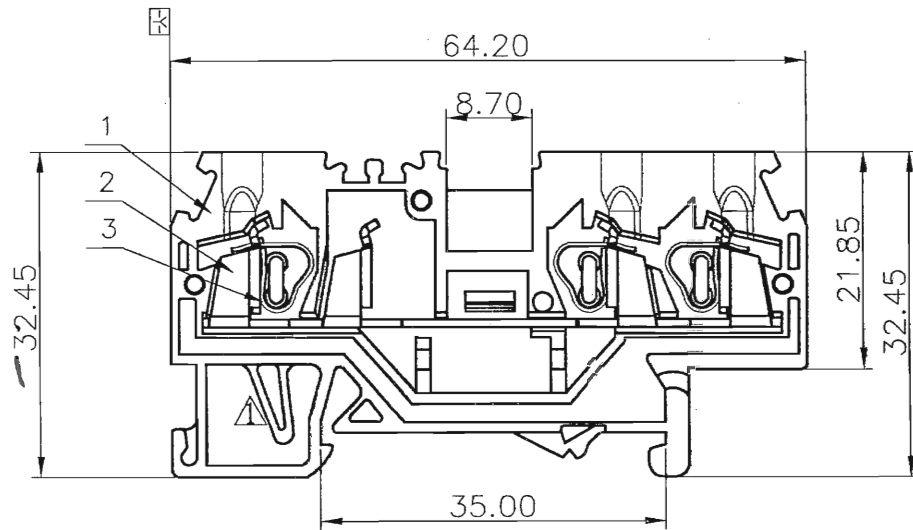
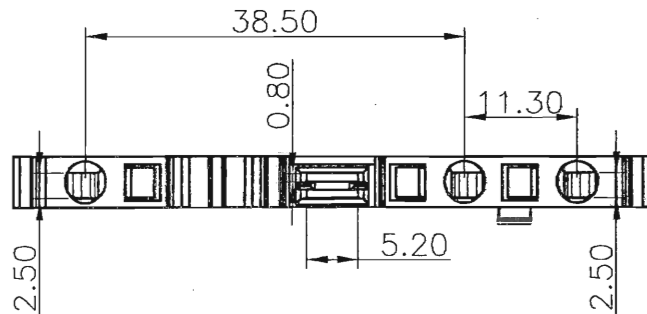
REV	ECN	DESCRIPTION	DRFT	DATE
▲		增加限位结构	CW	05/18/09"
▲		更新图面	Gery Huang	04/26/10"
▲	10-0422	增加UL认证标志及修改参数	COCO	12/17/10"
▲	15-0234	弹片使用国产不锈钢,更新料号	WWF	06/19/15"

NOTES:

- 1.DIMENSION SHALL BE INTERPRETED PER ASME Y14.5-2009.
- 2.RATED CURRENT/VOLTAGE: UL 600V/15A
IEC 800V/24A
- 3.OPERATION TEMPERATURES: -40℃~+105℃
- 4.RATED IMPULSE VOLTAGE: 8KV
- 5.INSULATION RESISTANCE: 1000MΩ/DC500V
- 6.WIRE RANGE: 28~14AWG,2.5MM²
- 7.UNDIMENSIONED TOLERANCES:



Pitch range in mm		Nominal dimension range in mm						
to	over	over	over	over	over	over	—	
6	6 to 10	10 to 24	30 to 30	60 to 60	100 to 100	150 to 150	∩ ◇	
±0.10	±0.15	±0.25	±0.2	±0.3	±0.5	±0.7	±1 0.05/10	



WS2.5-TW-01P-1Y-00AH
 WS2.5-TW - series
 01P - no value
 1 - no value
 Y = 1 (grey color of housing)
 00AH - no value

ITEM	NAME OF PART	NO. OF PART	Q'TY	MATERIAL	NOTES
3	DG242-5.0-Shrapnel	X000006250(H)	3	Stainless steel	
2	WS2.5-TW-Current Carrier	6130B00010(H)	1	Copper	Sn Plated
1	WS2.5-TW-Housing	6130A0Y01A(H)	1	PA66	UL94V-0

DETACHED LISTS TOLERANCES EXCEPT AS NOTED .X ± .XX ± .XXX ± .X ± .XX ± .XXX ± ANGLES ± 1° THIRD ANGLE PROJECTION		MATERIAL: FINISH: PART NO.: APPD: <i>Daron 6/20/15</i> CHKD: <i>Penny 6/24/15</i> DRFT: LYK 02/29/08"	宁波高正电子有限公司 DEGSON NINGBO DEGSON ELECTRICAL CO., LTD NAME: WS2.5-TW-01P-1Y-00A(H) TITLE: ASSEMBLY DRAWING DRAWING NO.: WS2.5-TW-E01 DO NOT SCALE DRAWING SCALE N/A SHEET 1/1	REV T4 T4 1/1
---------------------------------------------------------------------------------------------------------------------------------	--	----------------------------------------------------------------------------------------------------------------------	------------------------------------------------------------------------------------------------------------------------------------------------------------------------------------------------------	---------------------