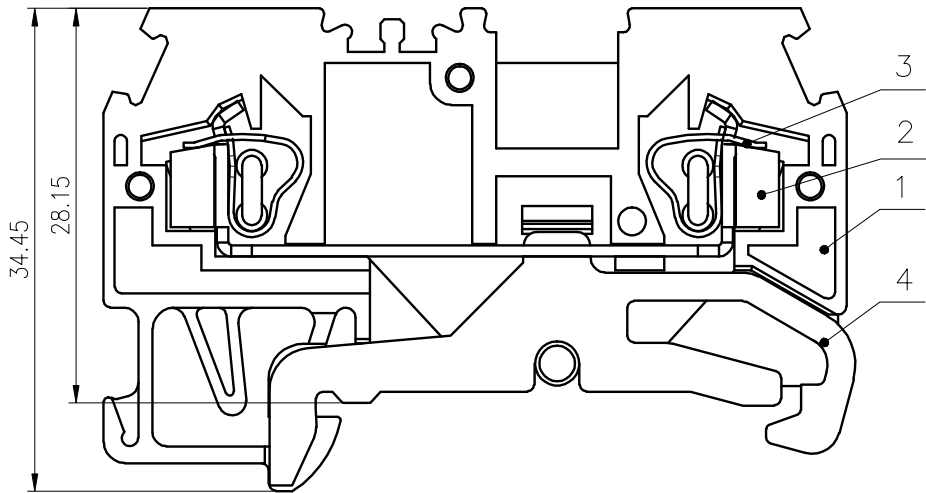


未注公差/General tolerances(mm)											D 0.1/10		
0	>3	>6	>10	>18	>30	>50	>80	>120	>180	>250		>315	>400
±0.12	±0.18	±0.22	±0.26	±0.31	±0.37	±0.57	±0.80	±0.93	±1.05	±1.15	±1.60	±2.20	±2.50
													±2'



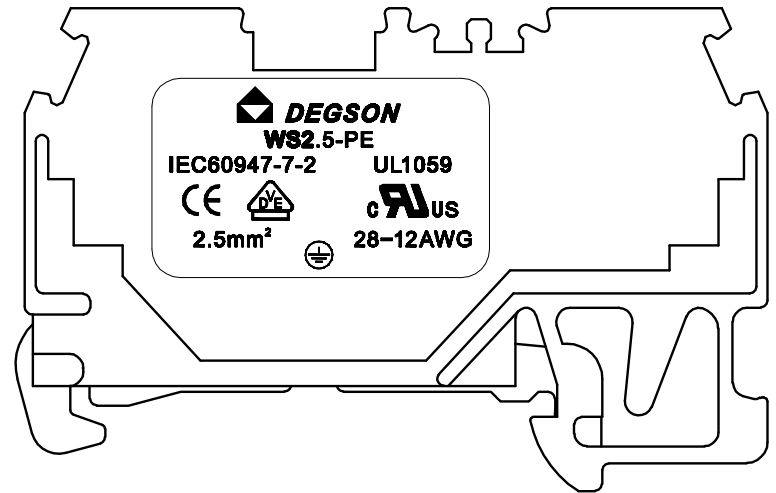
A

A



B

B



C

C

**WS2.5-PE-01P-1C-00AH**  
**WS2.5-PE - series**  
**01P - no value**  
**1 - single-row**  
**C - color of housing (yellow-green color)**  
**00AH - no value**

**Rated surge voltage 1000 volts**

UL 标准/UL Standard:	B	C	D
额定电压/电流/Rated Voltage(V)/Current(A)	/	/	/
IEC 标准/IEC Standard:			
过压类别/Overvoltage Category/污染等级/Pollution Degree	Ⅲ/3	/	/
额定电压/电流/Rated Voltage(V)/Current(A)	/	/	/
额定脉冲电压(kV)/Rate Impulse Voltage(kV)	8.0	/	/
线径范围(硬线和软线)/Wire Range(rigid and flexible)(mm²/AWG)	0.2~2.5/28~12		
间距/Pitch(mm)	5.0		
剥线长度/Stripping length(mm)	8-9		
使用温度范围/Operating temperature(°C)	-40~+105		
符合RoHS环保要求/Conform to RoHS	Yes		
标准颜色编号/Standard color number: PANTONE / RAL	/		

D

D

ITEM	NAME OF PART	MATERIAL	NOTES
4	Ground Pin	Copper alloy	Sn plated
3	Spring	Stainless steel	
2	Current Carrier	Copper	Sn plated
1	Housing	PA66	UL94V-0

REV	ECN	DESCRIPTION	DRFT	DATE

MATERIAL:	SURFACE:		
MAT NO.: /	<b>宁波高松电子有限公司</b> <b>NINGBO DEGSON ELECTRICAL CO., LTD</b>		
STATUS: /			
APPD: LiGL 2020.05.27			
CHKD: MaoJ 2020.05.27			
DRFT:ZhengQG 2020.05.27	NAME:	<b>WS2.5-PE-01P-1C-00A(H)</b>	
	DRAWING NO.:	WS2.5-PE-C01	REV TO
	TYPE: CUSTOMER DRAWING	SCALE: 2:1	SHEET 1/1