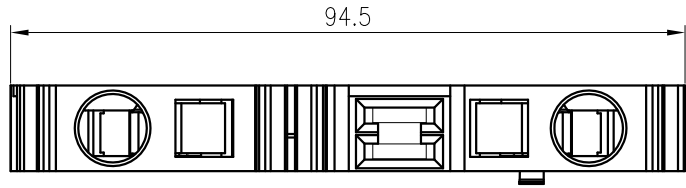
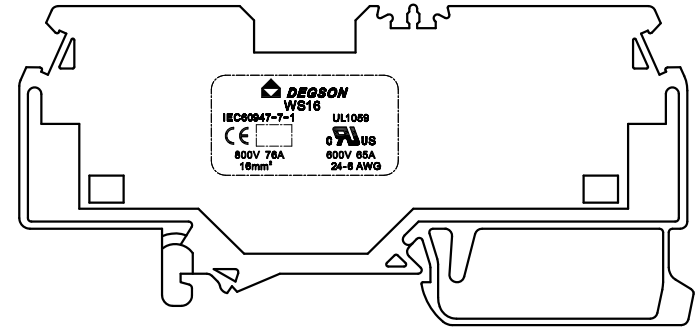
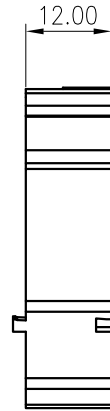
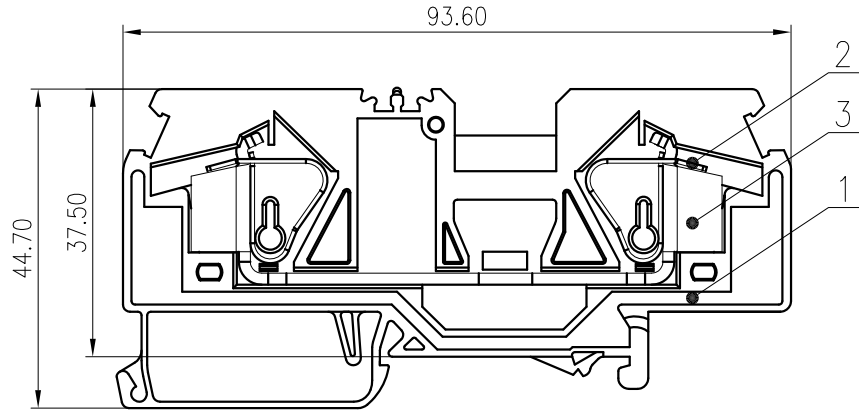


未注公差/General tolerances(mm)													0.1/10 ±2'
0	>3	>6	>10	>18	>30	>50	>80	>120	>180	>250	>315	>400	
~3	~6	~10	~18	~30	~50	~80	~120	~180	~250	~315	~400	~500	>500
±0.12	±0.18	±0.22	±0.26	±0.31	±0.37	±0.57	±0.80	±0.93	±1.05	±1.15	±1.60	±2.20	±2.50

A



B



C

WS16-01P-1Y-00AH

WS16 - series

01P - no value

1 - no value

Y = 1 (grey color of housing)

00AH - no value

UL 标准/UL Standard:	B	C	D
额定电压/电流/Rated Voltage(V)/Current(A)	600/65	600/65	600/5
EC 标准/IEC Standard:			
过压类别/Overtvoltage Category/污染等级/Pollution Degree	III/3	/	/
额定电压/电流/Rated Voltage(V)/Current(A)	800/76	/	/
额定脉冲电压(KV)/Rate Impulse Voltage(KV)	8.0	/	/
螺丝扭矩/Torque Tightening(N·m/Lb.in)	/		
线径范围(硬线和软线)/Wire Range(rigid and flexible)(mm²/AWG)	0.2~16/24~6		
间距/Pitch(mm)/线数范围/Poles	12.0		
剥线长度/Stripping length(mm)	16~17		
使用温度范围/Operating temperature(°C)	-40~+105		
符合RoHS环保要求/Conform to RoHS	Yes		
标准颜色编号/Standard color number:	/		
PANTONE / RAL	/		

D

3	Current Carrier	Copper	Sn Plate
2	Spring	Stainlee Steel	
1	Housing	PA66	UL94V-0

ITEM	NAME OF PART	MATERIAL	NOTES
------	--------------	----------	-------

REV	ECN	DESCRIPTION	DRFT	DATE
-----	-----	-------------	------	------

MATERIAL: /	SURFACE: /		
MAT NO.: /	宁波高松电子有限公司 NINGBO DEGSON ELECTRICAL CO., LTD		
STATUS: /			
APPD: Li GL 2020.06.05	NAME: WS16-01P-1Y-00A(H)		
CHKD: Mao J 2020.06.05	DRAWING NO.: WS16-C01		
DRFT: Wang Y 2020.06.05	TYPE: CUSTOMER DRAWING	SCALE: 1:1	SHEET 1/1