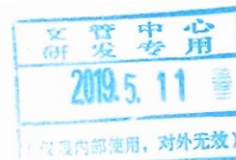
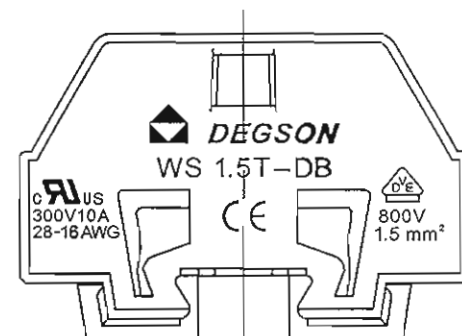
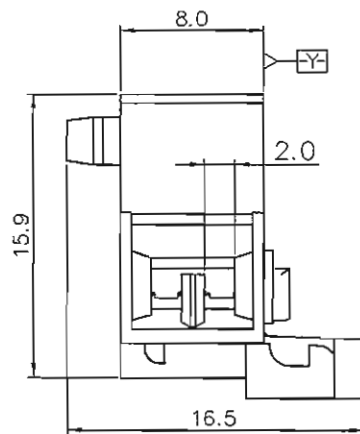
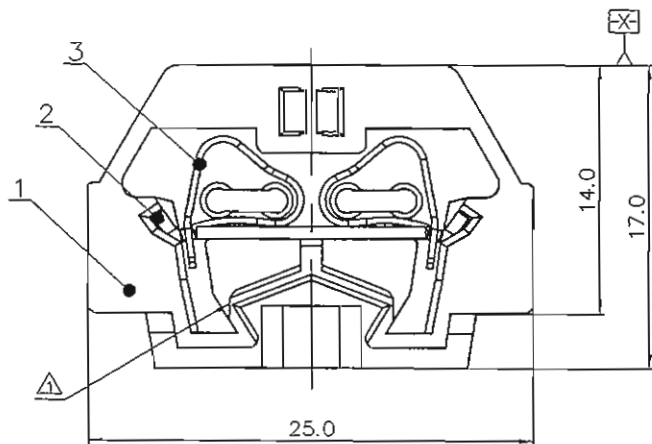
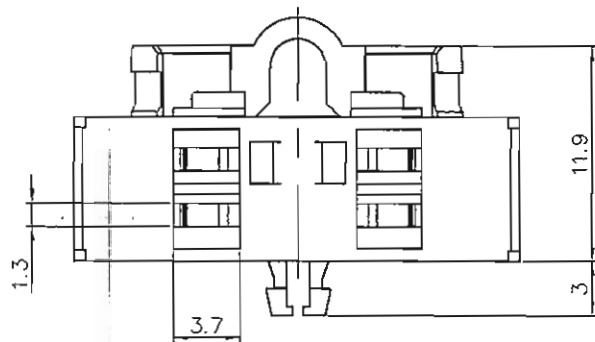


REVISION RECORD				
REV	ECN	DESCRIPTION	DRFT	DATE
△	19-0081	Housing change	XXD	2019.04.02



NOTES1:

UL Standard

1. Rated voltage/current : 300V / 10A
2. Withstanding voltage : AC1600V/1Min.
3. Wire range : 28~16AWG

IEC Standard

1. Pollution degree	3
Overtoltage category	III
Rate impulse voltage(KV)	8.0KV
Rate voltage(V)	800V
Rate current(A)	17.5A

2. Wire range : 0.2~1.5mm²

NOTES2:

1. Dimension shall be interpreted per ASME Y14.5-2009
2. Stripping length : 8~9mm
3. Operating temperature: -40°C~+105°C
4. Undimensioned tolerances:

Pitch Range In mm		Nominal Dimension Range In mm							
TO	Over	Over	TO	Over	Over	Over	Over	0.1/10	
6	6	10	10	30	60	100	150	<	
	±0.15	±0.20	±0.30	±0.30	±0.50	±0.70	±1.00	±1.30	±2'

5. RoHS Compliance

3	SPRING	STAINLESS STEEL	
2	CURRENT CARRIER	COPPER ALLOY	Sn plated
1	HOUSING	PA66	UL94V-0
ITEM	NAME OF PART	MATERIAL	NOTES

PART NO.:	/		
APPD:	Aston 4/11/19		
CHKD:	/		
DRFT:	Ding 2016.07.13		
DETAILED LISTS			
NAME:	宁波高松电子有限公司 NINGBO DEGSON ELECTRICAL CO., LTD		
TITLE:	CUSTOMER DRAWING	REV	T1
DRAWING NO.:	WS1.5T-DB-C03	SHEET	1/1
	← M (INCH) →	DO NOT SCALE DRAWING	SCALE 1:1