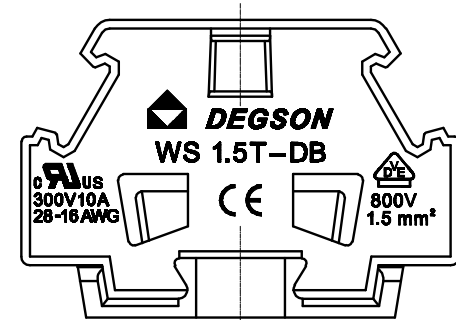
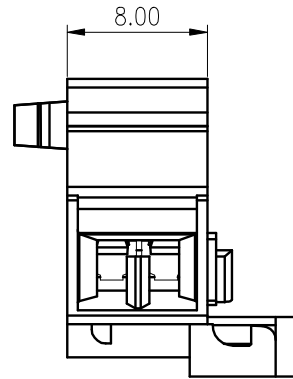
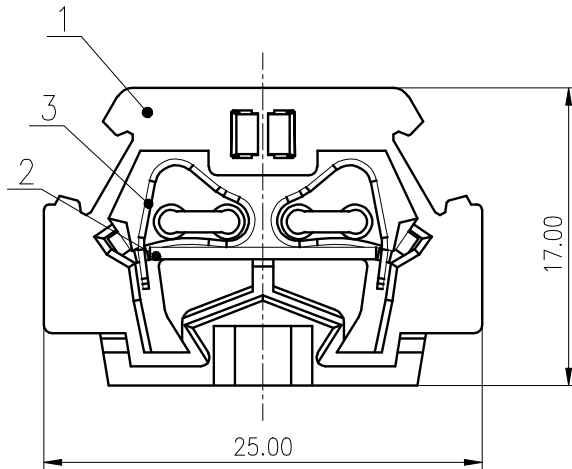
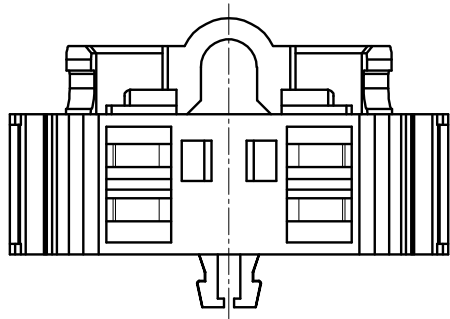


未注公差/General tolerances(mm)											0.1/10 ±2'		
0 ~ 3	>3 ~ 6	>6 ~ 10	>10 ~ 18	>18 ~ 30	>30 ~ 50	>50 ~ 80	>80 ~ 120	>120 ~ 180	>180 ~ 250	>250 ~ 315		>315 ~ 400	>400 ~ 500
±0.12	±0.18	±0.22	±0.26	±0.31	±0.37	±0.57	±0.80	±0.93	±1.05	±1.15	±1.60	±2.20	±2.50



UL 标准/UL Standard:	B	C	D
额定电压/电流/Rated Voltage(V)/Current(A)	300/10	300/10	300/10
IEC 标准/IEC Standard:			
过压类别/Overvoltage Category/污染等级/Pollution Degree	III/3	/	/
额定电压/电流/Rated Voltage(V)/Current(A)	800/17.5	/	/
额定脉冲电压(kV)/Rate Impulse Voltage(kV)	8	/	/
线径范围(硬线和软线)/Wire Range(rigid and flexible)(mm ² /AWG)	0.2~1.5/28~16		
间距/Pitch(mm)	8.0		
剥线长度/Stripping length(mm)	8-9		
使用温度范围/Operating temperature(°C)	-40~+105		
符合RoHS环保要求/Conform to RoHS	Yes		
标准颜色编号/Standard color number: PANTONE / RAL	/		

3	Spring	Stainless steel	/
2	Current carrier	Copper	Sn plated
1	Housing	PA66	UL94V-0
ITEM	NAME OF PART	MATERIAL	NOTES

REV	ECN	DESCRIPTION	DRFT	DATE
-----	-----	-------------	------	------

MATERIAL: /	SURFACE: /		
MAT NO.: /	宁波高松电子有限公司 NINGBO DEGSON ELECTRICAL CO., LTD		
STATUS: /			
APPD: Li GL 2020.05.30			
CHKD: Mao J 2020.05.30			
DRFT: ZhengQG 2020.05.22	NAME: WS1.5T-DB-01P-1Y-00A(H)	DRAWING NO.: WS1.5T-DB-C01	REV T2
④	SIZE: A4	TYPE: CUSTOMER DRAWING	SCALE: 2.5:1 SHEET 1/1