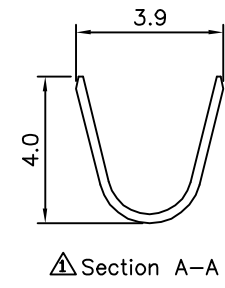
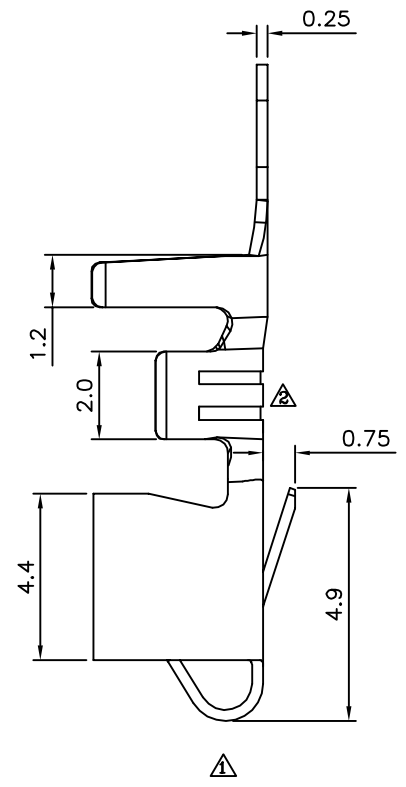
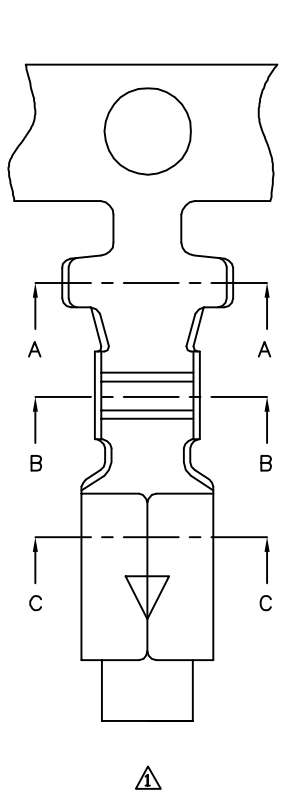
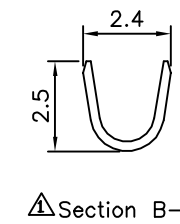


SPECIFICATION

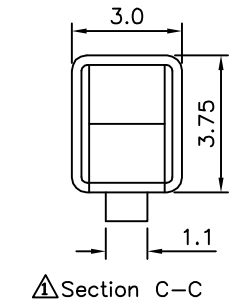
Wire Range:AWG #18~#22
 Insulation O.D.:2.20mm Max.
 Material:Brass,Tin Plated
 Q'ty:3500 PCS/Reel
 RoHS Compliant



Section A-A



Section B-B



Section C-C



A MEMBER OF AUK GROUP
太聯事業股份有限公司
 AUK CONTRACTORS CO., LTD.

SERIES VH		APPROVED BY EMILY	
PART No. VHT-R3K5-H		CHECKED BY HZF	
DRAWING No. VHT-R3K5-H		DRAWING BY CYP	
SCALE NONE	REV. A2		

UNLESS OTHERWISE SPECIFIED TOLERANCES ARE
 .X ±0.25
 .XX ±0.15
 .XXX ±0.05

UNIT mm

NO.	REV.	REVISIONS	CHK	DATE
△A2		Modify Data	HZF	08/03/2015
△A1		Modify Data	HZF	12/15/2012
△A0		NEW RELEASE	HZF	05/29/2012