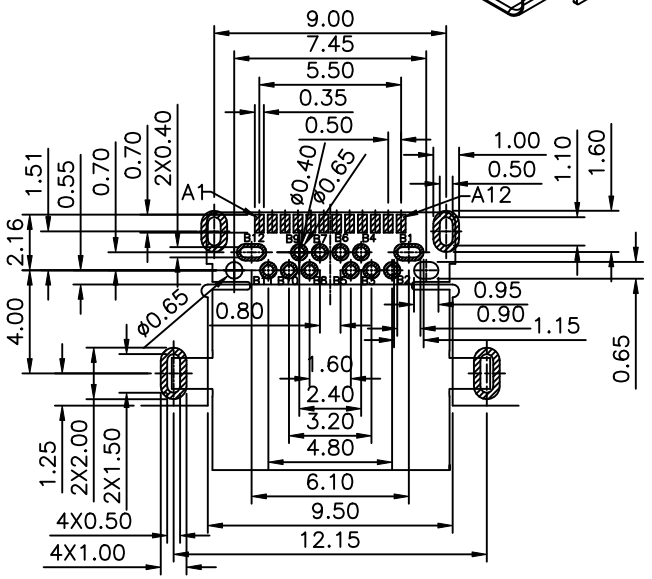
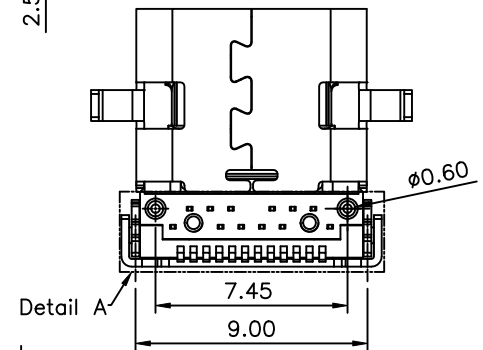
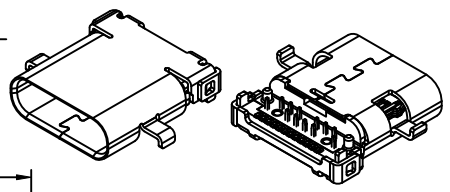
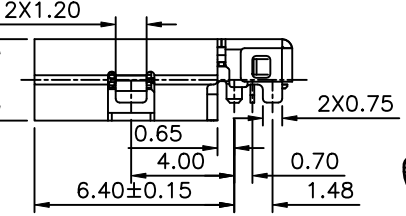
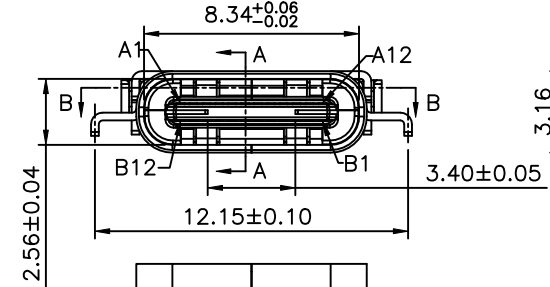
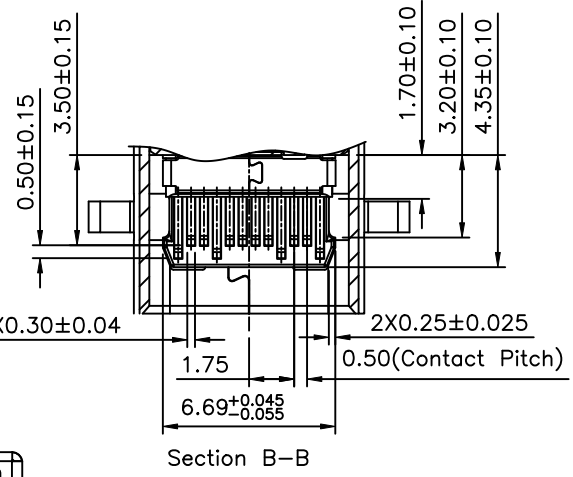
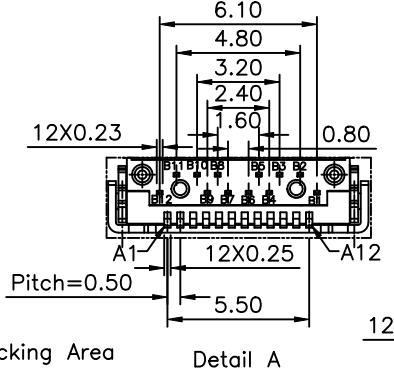
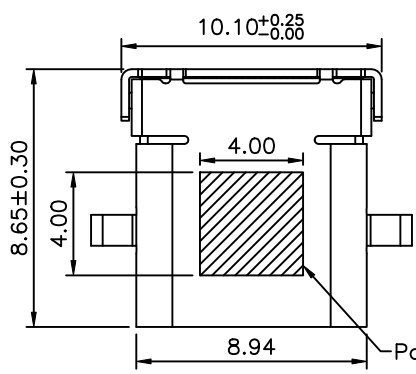
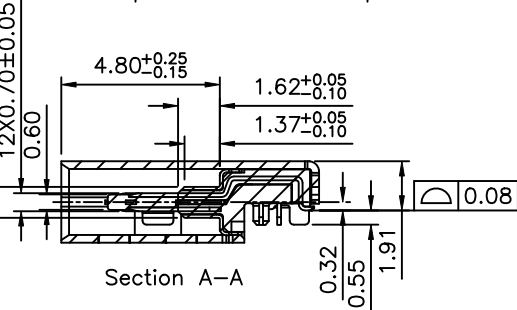


SPECIFICATION
 Current:5A Max. For Vbus;0.25A Min. For Other
 Voltage:20V Max.
 Insertion Force:5~20N.
 Extraction Force: 6~20N.
 Durability:10000 Cycles
 Withstanding Voltage:100V AC
 Contact Resistance:40 Milliohms Max.
 Insulation Resistance:100 Megohms Min.
 Molding:LCP(UL94 V-0)
 Contact:NKE031R-ESH
 Shell:SUS304-H,Nickel Plated Over All
 Shield:SUS304-H
 RoHS Compliant

USB3S - 24CSY - A - SXX - R1K - H
 (1) (2) (3)(4)(5)(6) (7) (8) (9) (10)
 (1) USB3:USB3 Series Dent Type
 (2) S:Short Type
 (3) 24:No. Of Position
 (4) C:C Type
 (5) S:Female
 (6) Y:DIP & SMT Right Angle
 (7) A:Dent Height=1.91mm
 (8) SXX>Contact Finish
 Blank:Gold Flash On Contact Area,Tin
 Plated On Solder Tails,Over Nickel
 S30:Gold Plated 30u" On Contact Area,Tin
 Plated On Solder Tails,Over Nickel
 (9) R1K:Tape & Reel 1000 PCS/Reel
 (10) H:RoHS Compliant



Recommended P.C.B. Layout(Component Side)
 (PCB Board Tolerance±0.05)
 Keep Out Area



Pin	Signal Name	Description	Pin	Signal Name	Description
A1	GND	Ground Return	B12	GND	Ground Return
A2	SSTXp1	Positive Half Of First Super Speed TX Differential Pair	B11	SSRXp1	Positive Half Of First Super Speed RX Differential Pair
A3	SSTXn1	Negative Half Of First Super Speed TX Differential Pair	B10	SSRXn1	Negative Half Of First Super Speed RX Differential Pair
A4	VBUS	Bus Power	B9	VBUS	Bus Power
A5	CC1	Configuration Channel	B8	SBU2	Sideband Use (SBU)
A6	Dp1	Positive Half Of The USB 2.0 Differential Pair-Position 1	B7	Dn2	Negative Half Of The USB 2.0 Differential Pair-Position 2
A7	Dn1	Negative Half Of The USB 2.0 Differential Pair-Position 1	B6	Dp2	Positive Half Of The USB 2.0 Differential Pair-Position 2
A8	SBU1	Sideband Use(SBU)	B5	CC2	Configuration Channel
A9	VBUS	Bus Power	B4	VBUS	Bus Power
A10	SSRXn2	Negative Half Of Second Super Speed RX Differential Pair	B3	SSTXn2	Negative Half Of Second Super Speed TX Differential Pair
A11	SSRXp2	Positive Half Of Second Super Speed RX Differential Pair	B2	SSTXp2	Positive Half Of Second Super Speed TX Differential Pair
A12	GND	Ground Return	B1	GND	Ground Return



CATEGORY		APPROVED BY		UNLESS OTHERWISE SPECIFIED TOLERANCES ARE X. ±0.30 X.* ±5° .X ±0.25 .X* ±4° .XX ±0.20
PART No. USB3S-24CSY-A-SXX-R1K-H		MEI		
DRAWING No. USB3S-24CSY-A-SXX-R1K-H		CHECKED BY HZF		
		DRAWING BY CYP		
SCALE	NONE	REV.	A0	UNIT mm

NO.	REV.	REVISIONS	CHK	DATE
△ A0		NEW RELEASE	HZF	12/12/2017