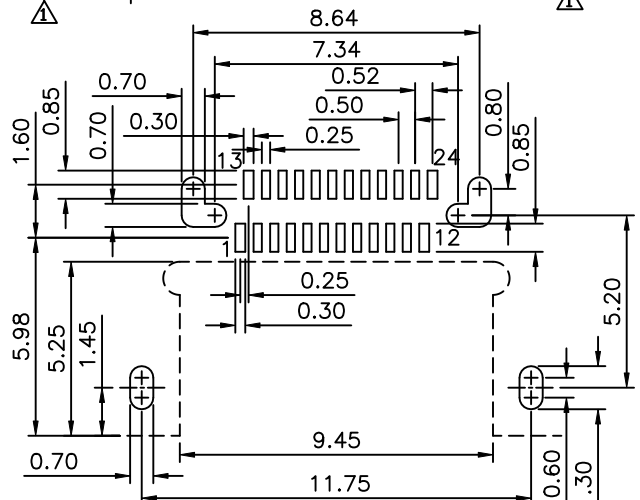
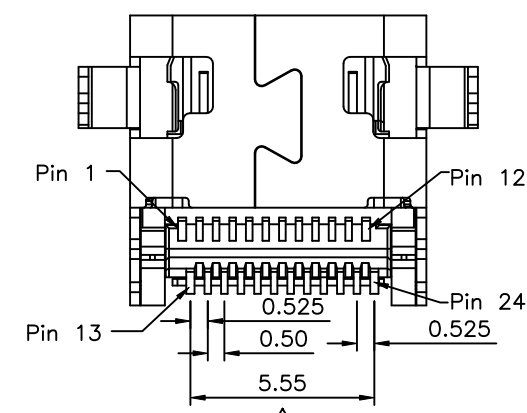
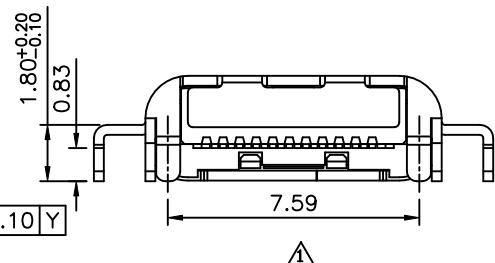
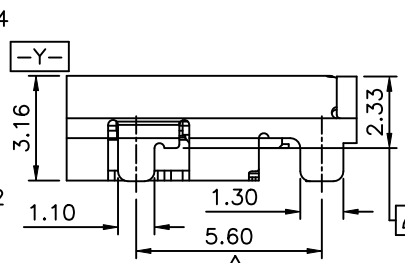
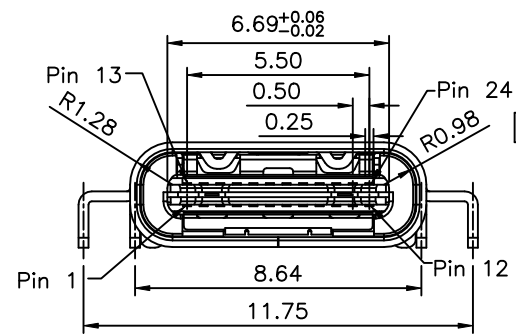


**△ SPECIFICATION**  
 Current: 5A Max. For Vbus;  
 0.25A Min. For Other  
 Voltage: 5V AC  
 Insertion Force: 5~20N.  
 Extraction Force: 6~20N.  
 Durability: 10000 Cycles  
 Withstanding Voltage: 100V AC  
 Contact Resistance: 40 Milliohms Max.  
 Insulation Resistance: 100 Megaohms Min.  
 Temperature Range: -55°C~+85°C  
 RoHS Compliant

USB D3 - 24 C S W - SXX - R1K2 - H  
 (1) (2)(3) (4) (5) (6) (7) (8)  
 (1) USB D3: USB3 Series Dent Type  
 (2) 24: No. Of Position  
 (3) C: C Type  
 (4) S: Female  
 (5) W: SMT Right Angle  
 (6) SXX: Contact Finish  
 Blank: Gold Flash On Contact Area, Tin Plated On Solder Tails, Over Nickel  
 S30: Gold Plated 30u" On Contact Area, Tin Plated On Solder Tails, Over Nickel  
 (7) R1K2: Tape & Reel 1200 PCS/Reel  
 (8) H: RoHS Compliant



Recommended P.C.B. Layout (Thickness: 0.80mm)  
 PCB Board Tolerance ±0.05

No.	Description	Q'ty	Material	Remark
①	Molding A	1	LCP+30%G.F.	Black
②	Molding A,B	1	LCP+30%G.F.	Black
③	Contact-Long	12	NKE012R	
④	Contact-Short	12	NKE012R	
⑤	Mid-Plate	1	Stainless Steel	Nickel Plated
⑥	Top EMI Pad	1	Stainless Steel	Nickel Plated
⑦	Bottom EMI Pad	1	Stainless Steel	Nickel Plated
⑧	Shell	1	Stainless Steel	Nickel Plated
⑨	Molding-B	1	LCP+30%G.F.	Black

**AUK** A MEMBER OF AUK GROUP  
**太聯事業股份有限公司**  
**AUK CONTRACTORS CO., LTD.**

CATEGORY		APPROVED BY	MEI	UNLESS OTHERWISE SPECIFIED TOLERANCES ARE X. ±0.35 X.* ±4* .X ±0.35 .X.* ±3* .XX ±0.25
PART No. USB D3-24CSW-SXX-R1K2-H		CHECKED BY	HZF	
DRAWING No. USB D3-24CSW-SXX-R1K2-H		DRAWING BY	CYP	
SCALE	NONE	REV.	A1	

NO.	REV.	DESCRIPTION	CHK	DATE
△ A1		Modify Data	HZF	06/08/2018
△ A0		NEW RELEASE	HZF	08/27/2015