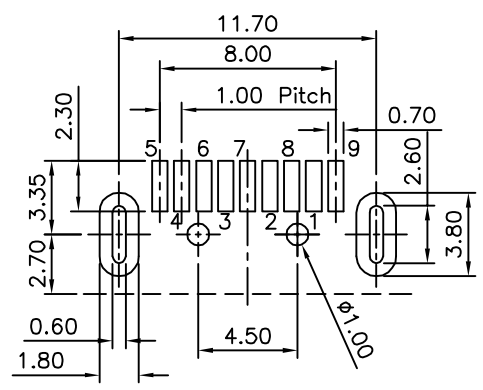
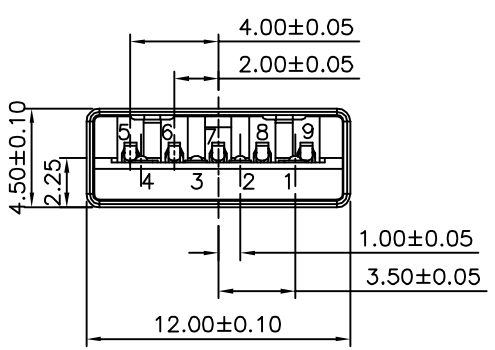


**△ SPECIFICATION**

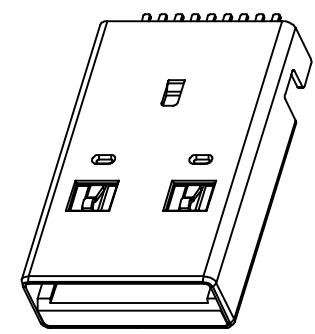
Contact Current Rating:1.5 Amp  
 Dielectric Withstanding Voltage:500V RMS  
 Contact Resistance:30 Milliohms Max.  
 Insulation Resistance:100 Megohms Min.  
 Operating Temperature:-40°C~+85°C  
 Housing:LCP(UL94V-0),Blue  
 Contact:Bronze  
 Shell:SPCC,Nickel Plated  
 Mating Force:3.57Kg Max.  
 Unmating Force:1.02Kg Min. Initial/0.82Kg Min.  
 RoHS Compliant

USB D3 - 09 A P W - M - SXX - H  
 (1) (2) (3) (4) (5) (6) (7) (8)

- (1) USB D3:USB3.0 Dent Type
- (2) 09:No. Of Position
- (3) A:A Type
- (4) P:Male
- (5) W:SMT Right Angle
- (6) M:Metal Shell
- (7) SXX>Contact Finish  
 Blank:Gold Flash On Contact Area,Tin  
 Plated On Solder Tails,Over Nickel  
 S15:Gold Plated 15u" On Contact Area,Tin  
 Plated On Solder Tails,Over Nickel
- (8) H:RoHS Compliant



△ Recommended P.C.B. Layout



Pin	Signal Name
1	VBUS
2	D-
3	D+
4	GND
5	StdA_SSRX-
6	StdA_SSRS+
7	GND_DRAIN
8	StdA_SSTX-
9	StdA_SSTX+
Shell	Shield

**AUK** A MEMBER OF AUK GROUP  
**太聯事業股份有限公司**  
**AUK CONTRACTORS CO., LTD.**

CATEGORY		APPROVED BY	
		MEI	
PART No.		CHECKED BY	
USB D3-09APW-M-SXX-H		HZF	
DRAWING No.		DRAWING BY	
USB D3-09APW-M-SXX-H		SONG	
SCALE	NONE	REV.	A1

UNLESS OTHERWISE SPECIFIED TOLERANCES ARE  
 X. ±0.30 X.\* ±3"  
 .X ±0.20 .X\* ±2"  
 .XX ±0.15 .XX\* ±1"  
 .XXX ±0.05 .XXX\* ±0.5"

NO.	REV.	REVISIONS	CHK	DATE
△ A1		Modify Data	HZF	08/23/2013
△ A0		NEW RELEASE	HZF	06/14/2012