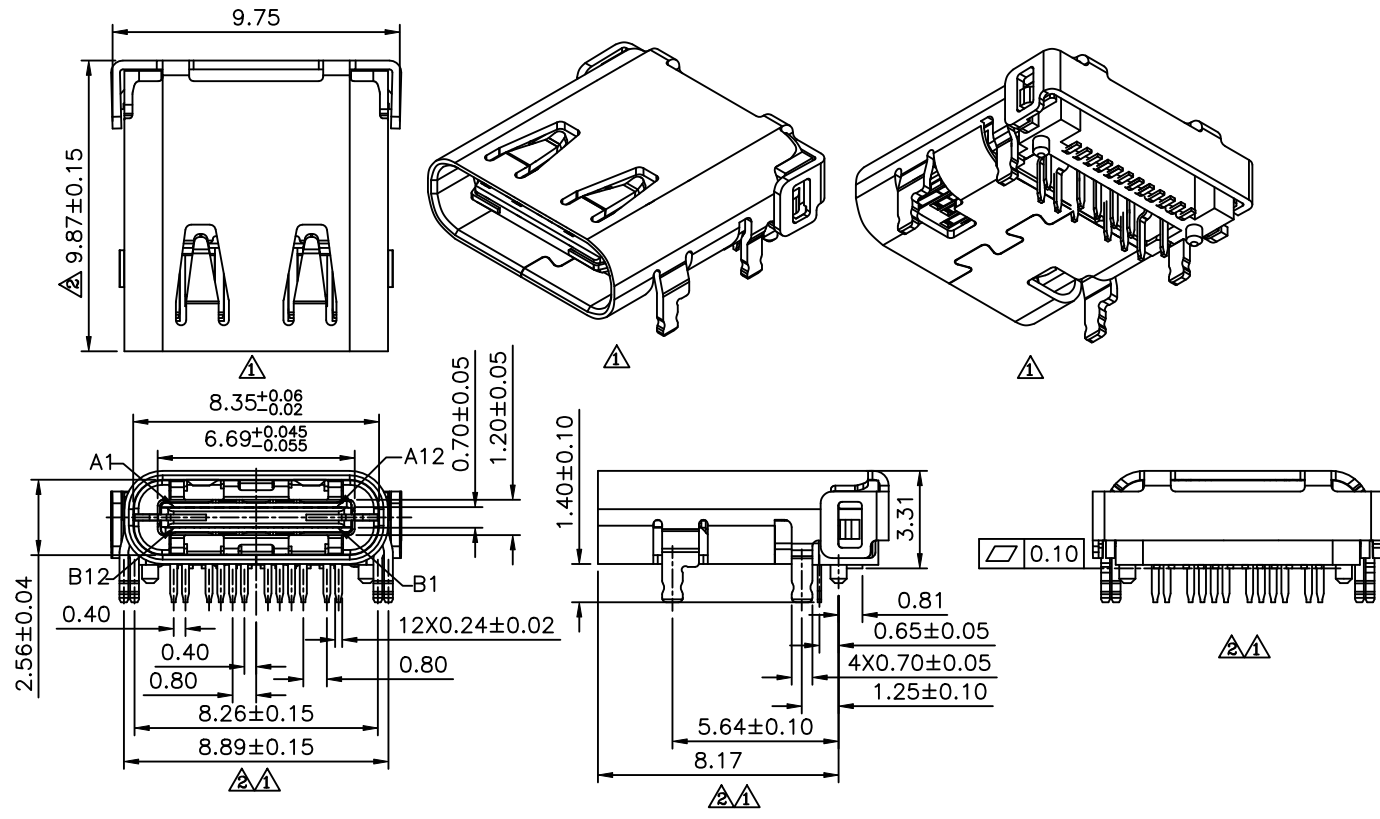


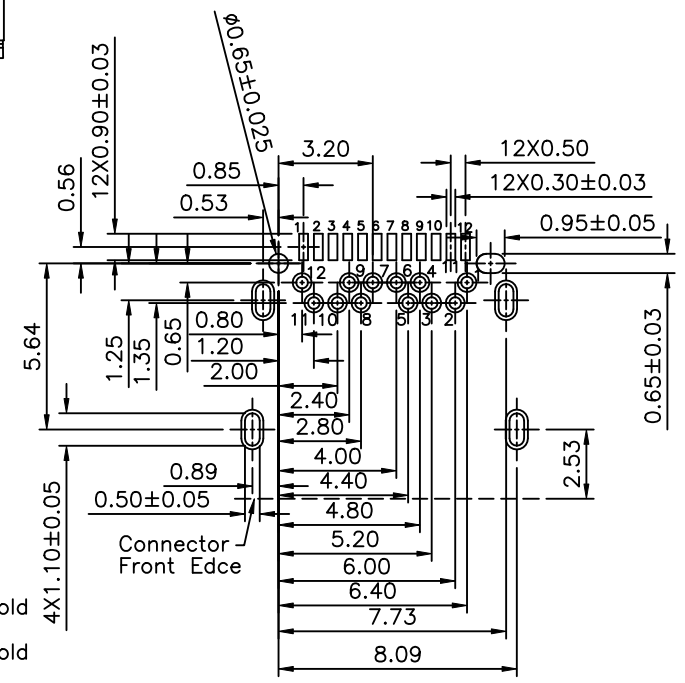
△ SPECIFICATION
 Current Rating:3.0A Max.
 Voltage Rating:100V AC
 Insulation Resistance:100 Megaohms Min.
 Contact Resistance:40 Milliohms Max.
 Temperature Range:-30°C~+85°C
 Insertion Force:5N~20N
 △ Unmating Force:8N~20N(Initial),6N~20N(After Duration)
 Durability:10000 Cycles
 RoHS Compliant

No	Description	Q'ty	Material	Remark
①	Housing	1	LCP	Black
②	Contact	24	C18140	
③	Shielding Plate	1	Stainless Steel	Nickel Plated
④	Spring	2	Stainless Steel	
⑤	Shell	1	Stainless Steel	Nickel Plated



A1	GND	B12	GND
A2	SSTXP1	B11	SSRXP1
A3	SSTXN1	B10	SSRXN1
A4	VBUS	B9	VBUS
A5	CC1	B8	SBU2
A6	DP1	B7	DN2
A7	DN1	B6	DP2
A8	SBU1	B5	CC2
A9	VBUS	B4	VBUS
A10	SSRXN2	B3	SSTXN2
A11	SSRXP2	B2	SSTXP2
A12	GND	B1	GND
Pin	Signal Name	Pin	Signal Name

△ USB3 - 24 C S Y - PXX - R1K - H
 (1) (2)(3) (4) (5) (6) (7) (8)
 (1) USB3:USB3 Series
 (2) 24:No. Of Position
 (3) C:C Type
 (4) S:Female
 (5) Y:DIP & SMT Right Angle
 (6) PXX:Contact Finish
 Blank:Gold Flash Over All,Over Nickel
 P15:Gold Plated 15u" On Contact Area,Gold Flash On Other Area,Over Nickel
 P30:Gold Plated 30u" On Contact Area,Gold Flash On Other Area,Over Nickel
 (7) R1K:Tape & Reel 1000 PCS/Reel
 (8) H:RoHS Compliant



△ Recommended P.C.B. Layout(Thickness:1.00mm)
 PCB Board Tolerance±0.05



CATEGORY	APPROVED BY	UNLESS OTHERWISE SPECIFIED TOLERANCES ARE		
PART No. △ USB3-24CSY-PXX-R1K-H	MEI	X. ±0.35 X.* ±5°	△ A2	Modify P/N:USB3-24CSY-PXX-R9H-H → USB3-24CSY-PXX-R1K-H
DRAWING No. USB3-24CSY-PXX-R1K-H	CHECKED BY HZF	.X ±0.30 .X* ±3°	△ A1	Modify Data
SCALE NONE	DRAWING BY CYP	.XX ±0.25	△ A0	NEW RELEASE
REV. A2	UNIT mm		NO.REV.	REVISIONS
			CHK	DATE