

SPECIFICATION

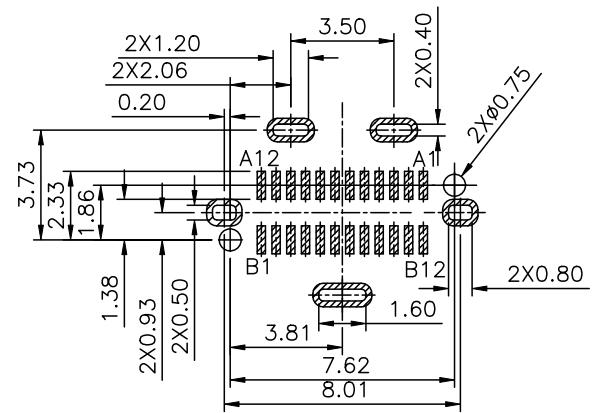
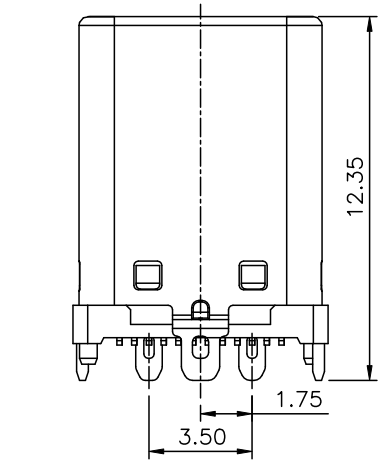
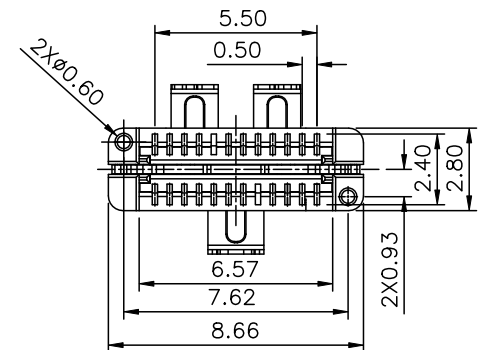
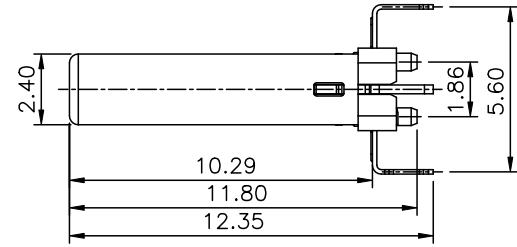
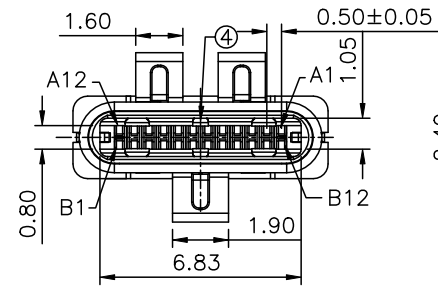
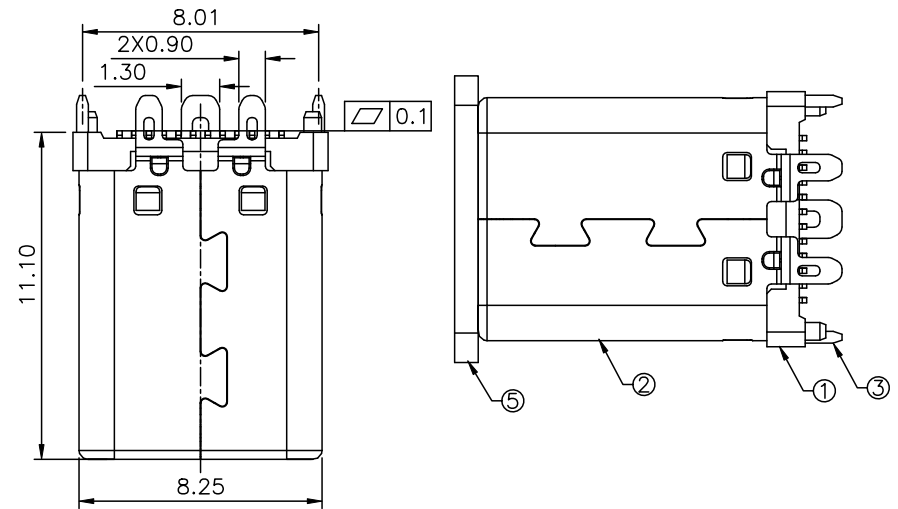
Current Rating:3.0 Amp
 Voltage:100V AC
 Contact Resistance:40 Milliohms Max.
 Insulation Resistance:100 Megaohms Min.
 Temperature Range:-30°C~+85°C
 Insertion Force:5N~20N
 Unmating Force:8N~20N
 Durability:10000 Cycles
 RoHS Compliant

USB3 - 24 C P V P C - R3H - H
 (1) (2)(3) (4) (5) (6) (7) (8) (9)

- (1) USB3:USB3 Series
- (2) 24:No. Of Position
- (3) C:C Type
- (4) P:Plug
- (5) V:SMT Straight
- (6) P:With Post
- (7) C:With Cover
- (8) R3H:Tape & Reel 300 PCS/Reel
- (9) H:RoHS Compliant

A1	GND	B12	GND
A2	SSTXP1	B11	SSRXP1
A3	SSTXN1	B10	SSRXN1
A4	VBUS	B9	VBUS
A5	CC1	B8	SBU2
A6	DP1	B7	DN2
A7	DN1	B6	DP2
A8	SBU1	B5	CC2
A9	VBUS	B4	VBUS
A10	SSRXN2	B3	SSTXN2
A11	SSRXP2	B2	SSTXP2
A12	GND	B1	GND
Pin	Signal Name	Pin	Signal Name

⑤	Cover	1	LCP	Black
④	Spring	2	Stainless Steel	—
③	Latch	1	Stainless Steel	Tin Plated Over Nickel
②	Shell	1	Stainless Steel	Nickel Plated
①	Terminal Housing	2	LCP	Black
			C7025	Gold Flash Over Nickel
No.	Description	Q'ty	Material	Remark



Recommended P.C.B. Layout(Component Side)
 (PCB Board Tolerance±0.05) T=0.80±0.05



CATEGORY		APPROVED BY		UNLESS OTHERWISE SPECIFIED TOLERANCES ARE X. ±0.50 .X ±0.20 .XX ±0.10				
PART No.		MEI						
USB3-24CPVPC-R3H-H		CHECKED BY						
DRAWING No.		HZF						
USB3-24CPVPC-R3H-H		DRAWING BY						
CYP		REV.						
SCALE	NONE	REV.	A0	UNIT mm	① A0	NEW RELEASE	HZF	05/07/2017
					NO.REV.	REVISIONS	CHK	DATE