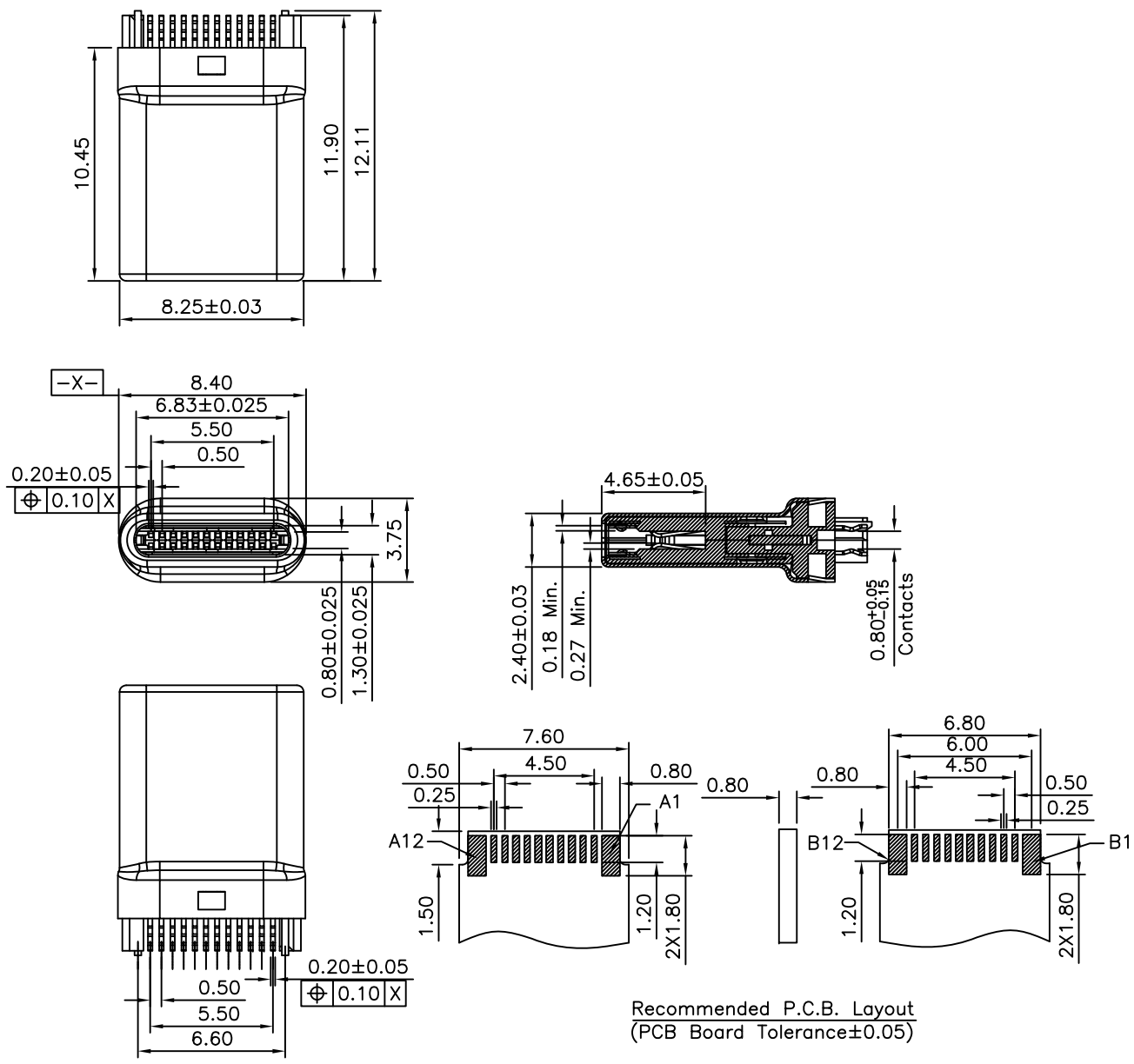


SPECIFICATION

Rating Current:5A
 Withstand Voltage:100V AC/Minute
 Insulation Resistance:100 Megohms Min.
 Contact Resistance:40 Milliohms Max.
 Insertion Force:5N~20N Max.
 Extraction Force:6N~20N Min.
 Durability:10000 Cycles Min.
 Insert Molding:LCP,Black
 Contact:C7025
 Emi Spring Housing:LCP,Black
 RoHS Compliant

USB3 - 24 C P E - 17 - SXX - H
 (1) (2)(3) (4) (5) (6) (7) (8)
 (1) USB3:USB3 Series
 (2) 24:No. Of Position
 (3) C:C Type
 (4) P:Plug
 (5) E:Straddle Type
 (6) 17:Shell Length 17.85mm
 (7) SXX:Contact Finish
 Blank:Gold Flash On Contact Area,Tin
 Plated On Solder Tails,Over Nickel
 S30:Gold Plated 30u"On Contact Area,Tin
 Plated On Solder Tails,Over Nickel
 (8) H:RoHS Compliant

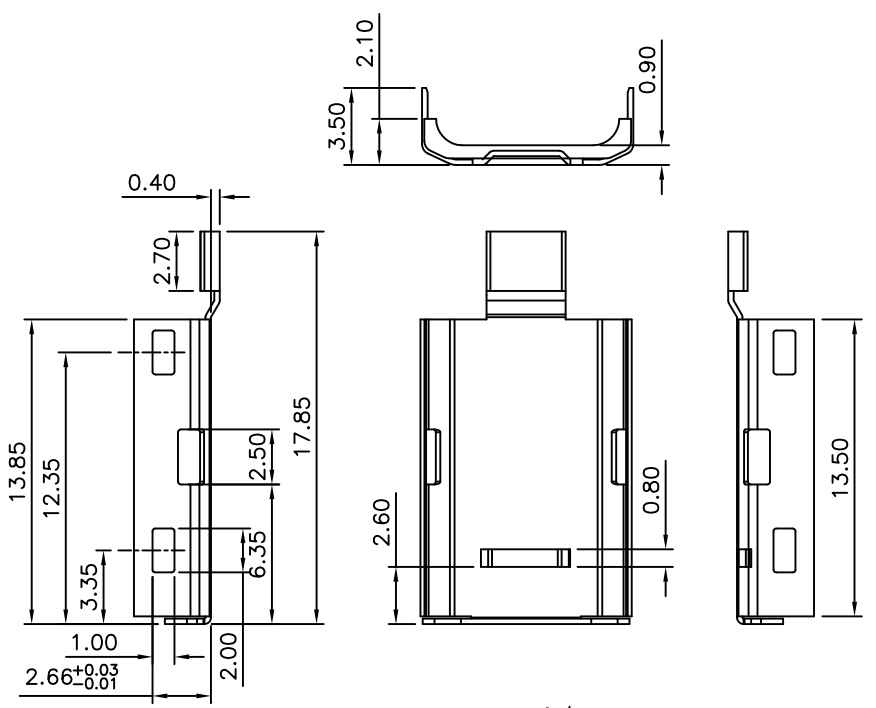


Recommended P.C.B. Layout
 (PCB Board Tolerance±0.05)

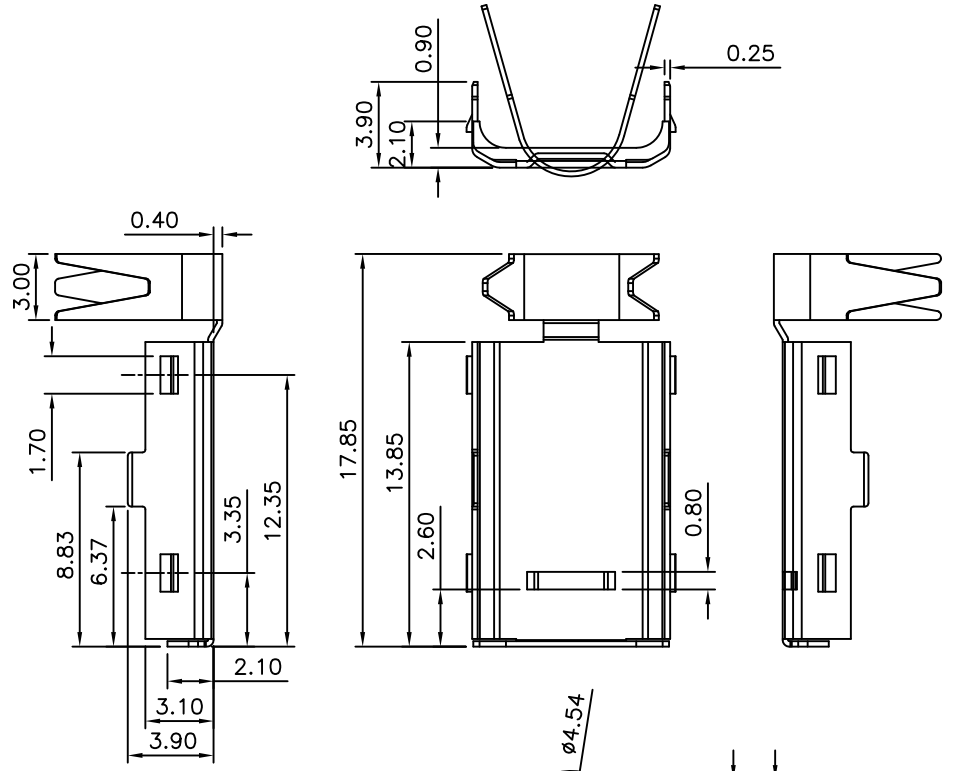


CATEGORY		APPROVED BY		UNLESS OTHERWISE SPECIFIED TOLERANCES ARE					
PART No. USB3-24CPE-17-SXX-H		MEI		X. ±0.25 X.* ±5*					
DRAWING No. USB3-24CPE-17-SXX-H		HZF		.X ±0.20 .X* ±4*					
SCALE NONE		REV. A0		UNIT mm		A0 NEW RELEASE		HZF 12/11/2017	
				NO. REV.		REVISIONS		CHK DATE	

SPECIFICATION
 Shell:SUS301-1/2H,Nickel Plated
 RoHS Compliant



Top Shell



Bottom Shell

AUK A MEMBER OF AUK GROUP
太聯事業股份有限公司
AUK CONTRACTORS CO., LTD.

CATEGORY		APPROVED BY		UNLESS OTHERWISE SPECIFIED TOLERANCES ARE X. ± 0.25 X.* $\pm 5^\circ$.X ± 0.20 .X* $\pm 4^\circ$.XX ± 0.15						
PART No. USB3-24CPE-17-SXX-H		MEI								
DRAWING No. USB3-24CPE-17-SXX-H		CHECKED BY HZF								
SCALE		DRAWING BY CYP		UNIT		NO.	REV.	REVISIONS	CHK	DATE
NONE		REV.		A0		△ A0	NEW RELEASE			HZF