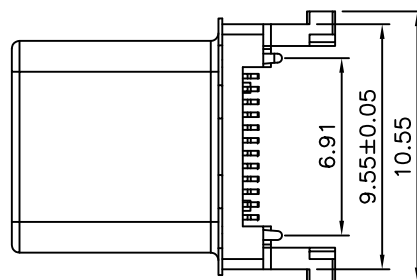
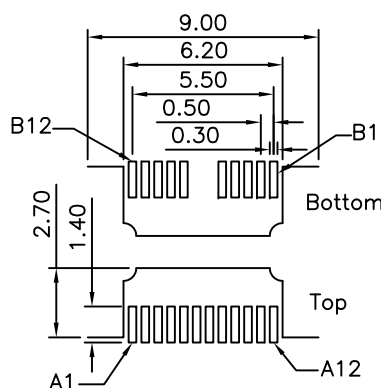
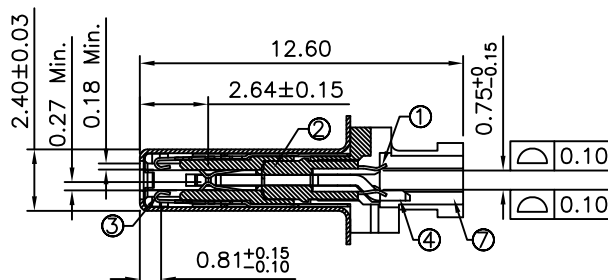
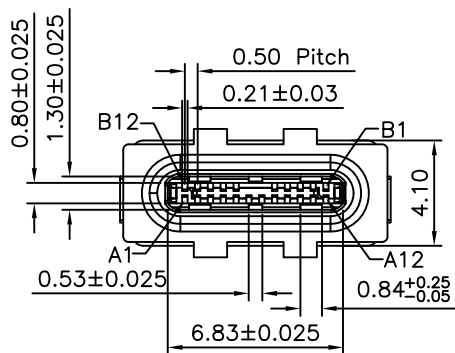


**SPECIFICATION**  
 Current:5A Min. For VBUS  
 0.25A Min. For Other  
 Voltage:5V AC Max.  
 Withstand Voltage:100V AC  
 Insulation Resistance:100 Megaohms Min.  
 Contact Resistance:40 Milliohms Max.  
 Temperature Range:-55°C~+85°C  
 Insertion Force:5N~20N  
 Extraction Force:6N~20N  
 Durability:10000 Cycles  
 RoHS Compliant

USB3 - 24 C P E - 15 - SXX - H  
 (1) (2)(3) (4) (5) (6) (7) (8)

- (1) USB3:USB3 Series
- (2) 24:No. Of Position
- (3) C:C Type
- (4) P:Plug
- (5) E:Straddle Type
- (6) 15:Shell Length 15.30mm
- (7) SXX:Contact Finish  
 Blank:Gold Flash On Contact Area,Tin  
 Plated On Solder Tails,Over Nickel  
 S30:Gold Plated 30u"On Contact Area,Tin  
 Plated On Solder Tails,Over Nickel
- (8) H:RoHS Compliant



Recommended P.C.B. Layout(Thickness:0.80mm)  
 PCB Board Tolerance±0.05

Pin	Top	Pin	Bottom
A1	GND	B12	GND
A2	TX1+	B11	RX1+
A3	TX1-	B10	RX1-
A4	VBUS	B9	VBUS
A5	CC	B8	SUB2
A6	D+	B7	
A7	D-	B6	
A8	SUB1	B5	Vconn
A9	VBUS	B4	VBUS
A10	RX2-	B3	TX2-
A11	RX2+	B2	TX2+
A12	GND	B1	GND

No	Description	Q'ty	Material	Remark
①	Contact1	24	NKC388R-SH	
②	Molding 22P	1	LCP(UL94V-0)	Black
③	EMI Molding	2	SUS301R-H & LCP,Black	
④	Latch	1	SUS304 1/2H L	Tin Plated Over Nickel
⑤	Shell	1	SUS304	Nickel Plated
⑥	Cap	1	LCP(UL94V-0)	Nature
⑦	Housing	1	LCP(UL94V-0)	Black

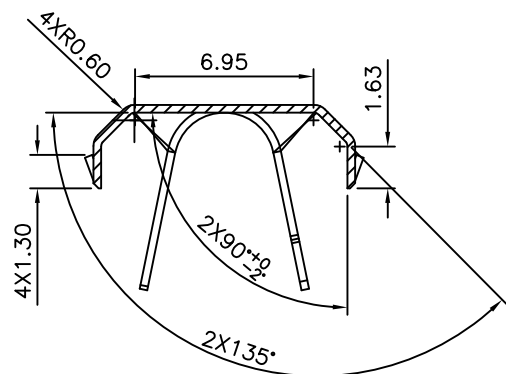
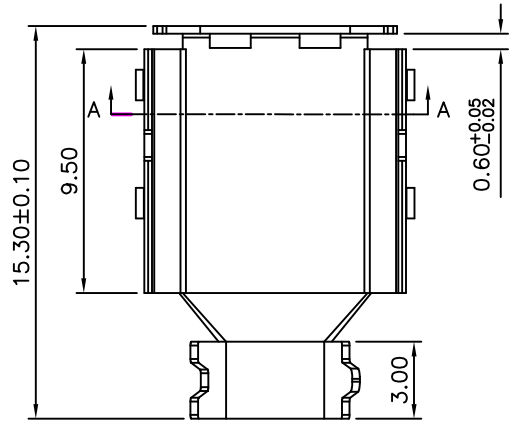
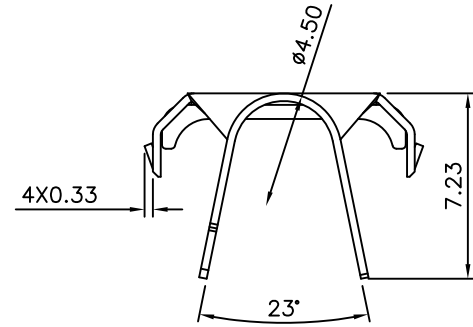
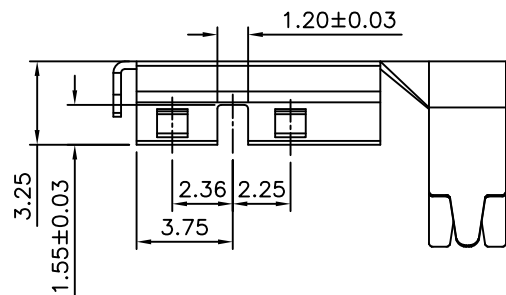
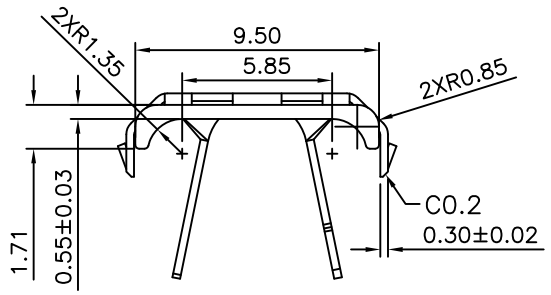
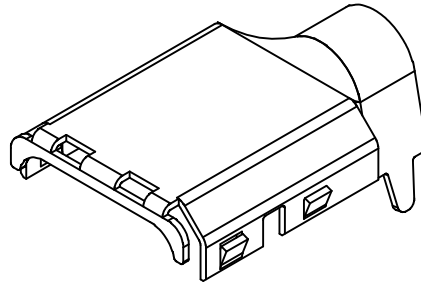
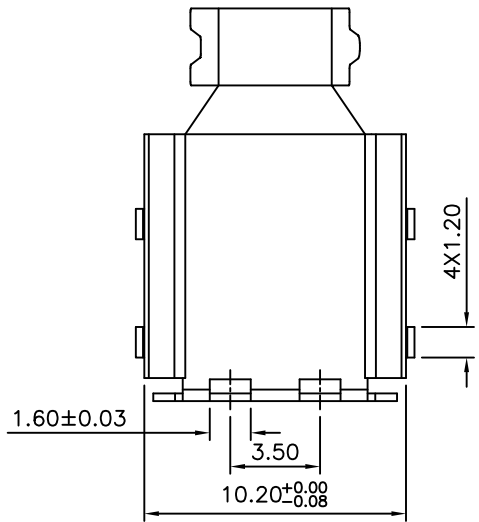
**AUK** A MEMBER OF AUK GROUP  
**太聯事業股份有限公司**  
**AUK CONTRACTORS CO., LTD.**

CATEGORY		APPROVED BY		UNLESS OTHERWISE SPECIFIED TOLERANCES ARE X. ±0.25 X.* ±5° .X ±0.20 .X.* ±4° .XX ±0.15
PART No. JSB3-24CPE-15-SXX-H		MEI		
DRAWING No. JSB3-24CPE-15-SXX-H		CHECKED BY HZF		
SCALE		REV.		UNIT mm
NONE		A0		NO.REV.

△ A0	NEW RELEASE	HZF	12/11/2017
NO.REV.	REVISIONS	CHK	DATE



SPECIFICATION  
 Shell:SUS304R-1/2H,Nickel Plated  
 RoHS Compliant



Top Shell

Section A-A

**AUK** A MEMBER OF AUK GROUP  
**太聯事業股份有限公司**  
**AUK CONTRACTORS CO., LTD.**

CATEGORY		APPROVED BY		UNLESS OTHERWISE SPECIFIED TOLERANCES ARE						
PART No. JSB3-24CPE-15-SXX-H		MEI		X. ±0.15 X.* ±3°						
DRAWING No. JSB3-24CPE-15-SXX-H		CHECKED BY HZF		.X ±0.10 .X.* ±2°						
SCALE NONE		DRAWING BY CYP		.XX ±0.05						
REV.	A0	UNIT	mm			NO.REV.	A0	NEW RELEASE	HZF	12/11/2017
						REVISIONS		CHK	DATE	