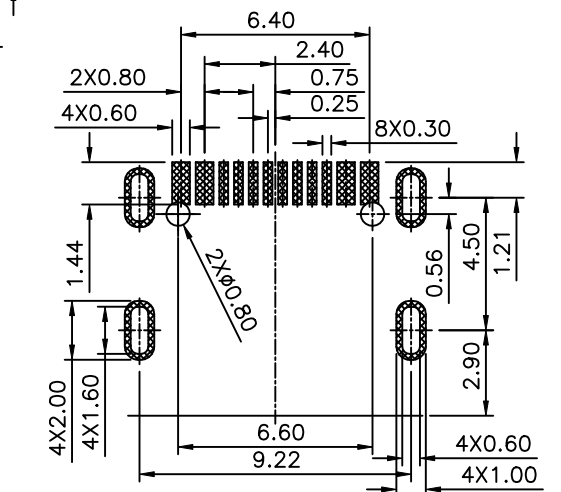
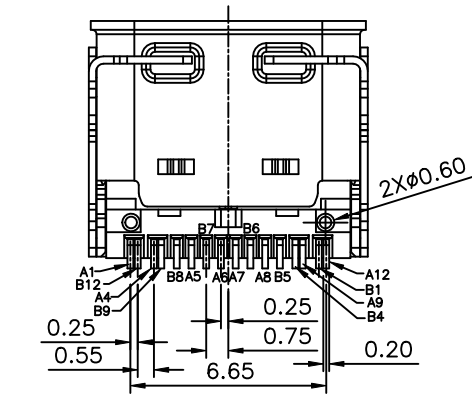
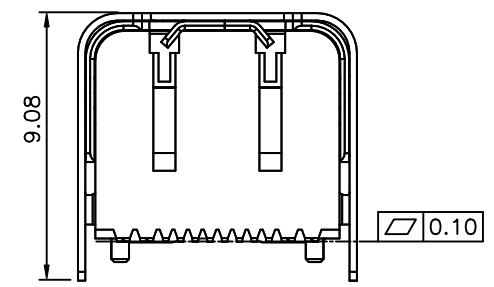
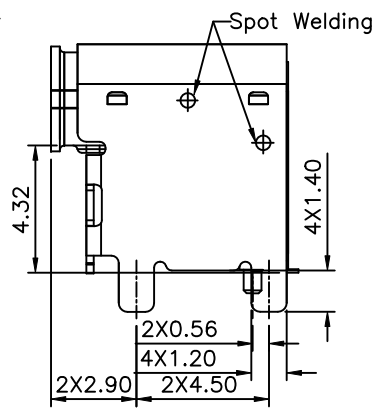
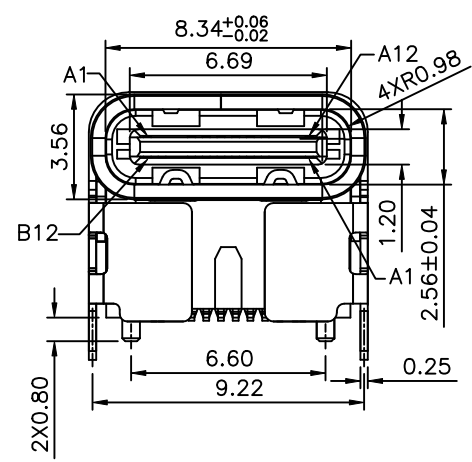


**SPECIFICATION**  
 Current Rating:5.0A Max.  
 Voltage Rating:100V AC  
 Insulation Resistance:100 Megaohms Min.  
 Contact Resistance:40 Milliohms Max.  
 Temperature Range:-30°C~+85°C  
 Insertion Force:5N~20N  
 Unmating Force:8N~20N(Initial)  
 6N~20N(After Duration)  
 Durability:10000 Cycles  
 RoHS Compliant



Recommended P.C.B. Layout(Thickness:1.20mm)  
 PCB Board Tolerance±0.05

USB3 - 16 C S W - H43 - R5H5 - H  
 (1) (2)(3) (4) (5) (6) (7) (8)  
 (1) USB3:USB3 Series  
 (2) 16:No. Of Position  
 (3) C:C Type  
 (4) S:Female  
 (5) W:SMT Right Angle  
 (6) H43:Stand Off 4.32mm  
 (7) R5H5:Tape & Reel 550 PCS/Reel  
 (8) H:RoHS Compliant

A1	GND	B12	GND
A4	VBUS	B9	VBUS
A5	CC1	B8	SBU2
A6	DP1	B7	DN2
A7	DN1	B6	DP2
A8	SBU1	B5	CC2
A9	VBUS	B4	VBUS
A12	GND	B1	GND
Pin	Signal Name	Pin	Signal Name

No.	Description	Q'ty	Material	Remark
①	Housing	1	LCP	Black
②	Contact	12	C1814-H	Gold Flash Over Nickel
③	Contact	12	C1814-H	Gold Flash Over Nickel
④	MD	1	LCP	Black
⑤	Shielding Plate	1	SUS301-1/2H	---
⑥	Shell	1	SUS304-1/2H	Nickel Plated
⑦	Upper Shell	1	SUS304-1/2H	Nickel Plated

**AUK** A MEMBER OF AUK GROUP  
**太聯事業股份有限公司**  
**AUK CONTRACTORS CO., LTD.**

CATEGORY		APPROVED BY		UNLESS OTHERWISE SPECIFIED TOLERANCES ARE X. ±0.30 X.* ±5° .X ±0.25 .X* ±4° .XX ±0.20
PART No. USB3-16CSW-H43-R5H5-H		MEI		
DRAWING No. USB3-16CSW-H43-R5H5-H		CHECKED BY HZF		
		DRAWING BY CYP		
SCALE	NONE	REV.	A0	UNIT mm

△ A0	NEW RELEASE	HZF	12/14/2017
NO.REV.	REVISIONS	CHK	DATE