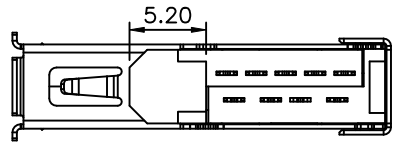
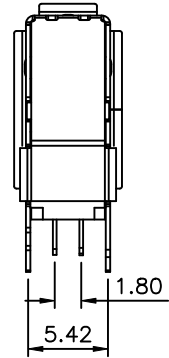
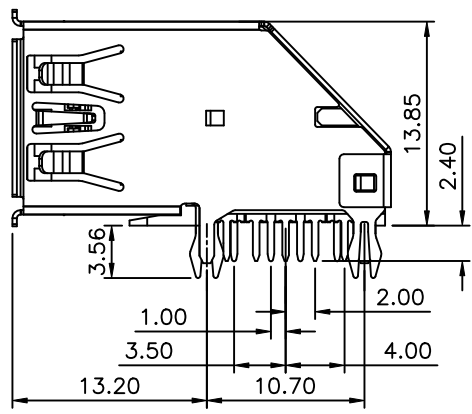
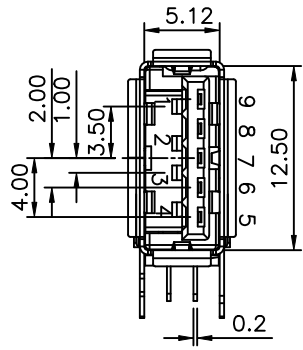


Recommended P.C.B. Layout(Top View)



SPECIFICATION

Contact Current Rating:
 1.8A For Pin 1 & Pin 4
 0.25A Other Contacts
 Dielectric Withstanding Voltage:100V AC RMS
 Insulation Resistance:100 Megaohms Min.
 Contact Resistance:
 30 Milliohms Max. For Pin 1 & Pin 4
 50 Milliohms Max. For Other Contacts
 Mechanical Characteristics:
 Mating Force:3.5N Max.
 Unmating Force:10N Min.
 Operating Temperature:-55~+85°
 RoHS Compliant

USB3 - 09 A S U - M - H H

- (1) (2)(3) (4) (5) (6) (7) (8)
- (1) USB3:USB 3.0 Series
- (2) 09:No. Of Position
- (3) A:A Type
- (4) S:Female
- (5) U:DIP Upright
- (6) M:Metal Shell
- (7) H:Withstand High Temperature
- (8) H:RoHS Compliant

Pin	Signal Name
1	VBUS
2	D-
3	D+
4	GND
5	StdA_SSRX-
6	StdA_SSRX+
7	GND_DRAIN
8	StdA_SSTX-
9	StdA_SSTX+
Shell	Shield

③	Contact	Brass	Gold Flash On Contact Area,Tin Plated On Solder Tails,Over Nickel	9
②	Shell	SUS	Nickel Plated	1
①	Housing	LCP(UL94V-0)	Blue	1
No.	Description	Material	Remark	Q'ty

AUK A MEMBER OF AUK GROUP
太聯事業股份有限公司
AUK CONTRACTORS CO., LTD.

CATEGORY		APPROVED BY		UNLESS OTHERWISE SPECIFIED TOLERANCES ARE X ±0.50 XX ±0.38 XXX ±0.25 ANG. ±2°					
PART No. USB3-09ASU-M-HH		MEI							
DRAWING No. USB3-09ASU-M-HH		CYP							
SCALE	NONE	REV.	A0	UNIT mm	UNIT mm	NO.REV.	REVISIONS	CHK HZF	DATE 06/15/2017