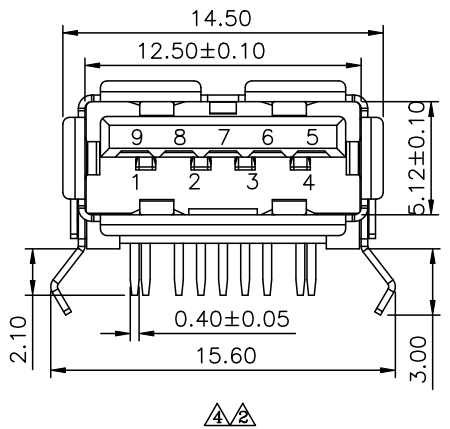
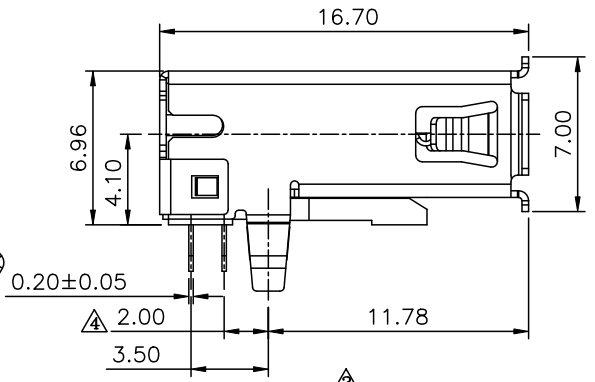
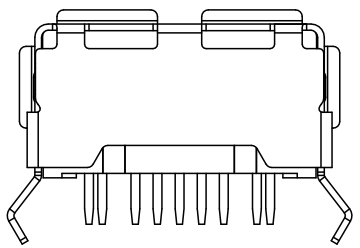


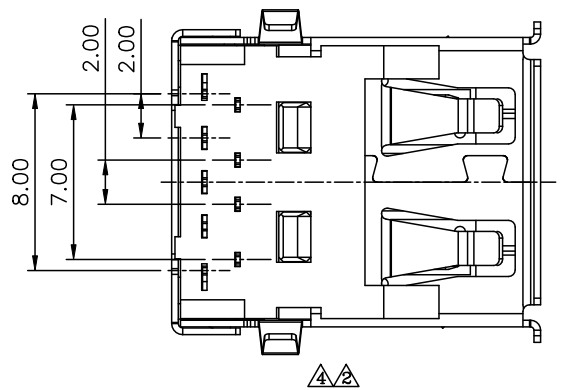
**SPECIFICATION**

Contact Current Rating:1.5A  
 Dielectric Withstanding Voltage:100V RMS  
 Contact Resistance:30 Milliohms Max.  
 Insulation Resistance:100 Megohms Min.  
 Operating Temperature:-40°C~+85°C  
 Insulator:LCP(UL94V-0),Blue  
 Contact:Bronze  
 Shell:Brass,Nickel Plated  
 Mating Force:3.57Kg Max.  
 Unmating Force:1.02Kg Min.  
 Durability:Mandatory:1500 Cycles  
 RoHS Compliant



**USB3 - 09 A S R - SXX - H H**

- (1) USB3:USB3.0 Series
- (2) 09:No. Of Position
- (3) A:A Type
- (4) S:Female
- (5) R:DIP Right Angle
- (6) SXX:Contact Finish  
 Blank:Gold Flash On Contact Area,  
 Tin Plated On Solder Tails,Over Nickel
- (7) H:Withstand High Temperature Soldering
- (8) H:RoHS Compliant



Pin No.	Signal Name
1	VBUS
2	D-
3	D+
4	GND
5	StdA_SSRX-
6	StdA_SSRX+
7	GND_Drain
8	StdA_SSTX-
9	StdA_SSTX+
Shell	Shield

**AUK** A MEMBER OF AUK GROUP  
**太聯事業股份有限公司**  
**AUK CONTRACTORS CO., LTD.**

CATEGORY	APPROVED BY	UNLESS OTHERWISE SPECIFIED TOLERANCES ARE	A4	Modify Data	HZF	05/04/2016
PART No. USB3-09ASR-SXX-HH	MEI	X. ±0.50 X.* ±3* .X ±0.30 .X* ±2* .XX ±0.20 .XX* ±1* .XXX ±0.10 .XXX* ±0.5*	A3	Modify P/N:USB3-09ASR-SXX-H --> USB3-09ASR-SXX-HH	HZF	12/24/2014
DRAWING No. USB3-09ASR-SXX-HH	CHECKED BY		A2	Modify Data	HZF	12/05/2014
SCALE NONE	DRAWING BY		A1	Modify Data	HZF	04/19/2013
REV. A4	CYP		A0	NEW RELEASE	HZF	06/14/2012
NO.	REV.	UNIT mm	NO. REV. REVISIONS		CHK	DATE