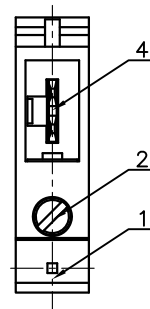


REVISION RECORD				
REV	ECN	DESCRIPTION	DRFT	DATE



NOTES1:

UL Standard

- 1. Rated voltage/current : 600V / 30A
- 2. Torque value : M3 , 4.43Lb.in
- 3. Wire range : 30~10AWG

IEC Standard

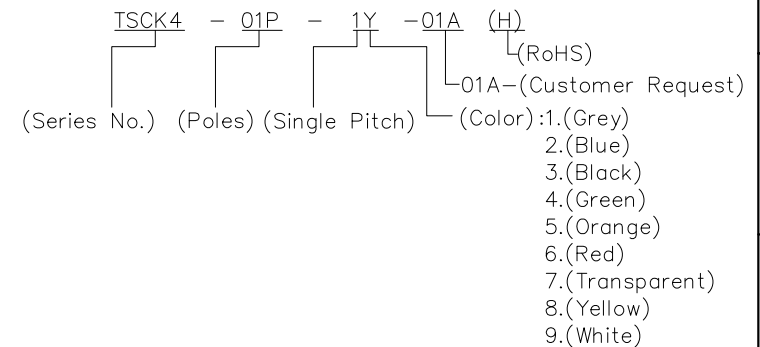
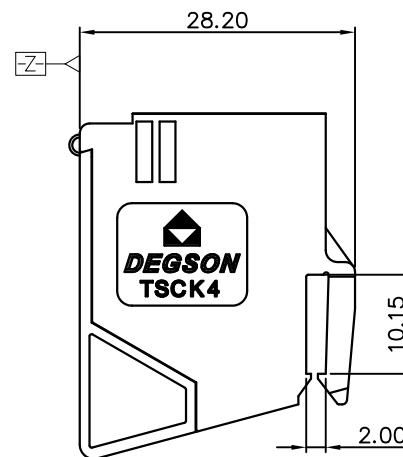
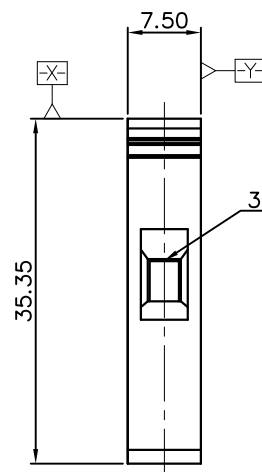
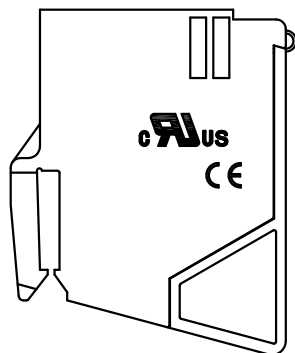
- 1. Rated voltage/current : 800V / 32A
- 2. Torque value : M3 , 0.5N·m
- 3. Wire range : 0.2~4.0mm²,6.0mm²(SOL)

NOTES2:

- 1. Dimension shall be interpreted per ASME Y14.5-2009
- 2. Pitch : 7.50mm, Poles : 01P
- 3. Stripping length : 10mm
- 4. Withstanding voltage : AC3500V/1Min
- 5. Operating temperature: -40°C~+105°C
- 6. Standard color number: PANTONG 158U
- 7. Undimensioned tolerances:

Pitch range in mm		Nominal dimension range in mm						
To	Over	To	Over	To	Over			
6	10	10	24	30	60	100	150	0.1/10
±0.15	±0.20	±0.30	±0.30	±0.50	±0.70	±1.00	±1.30	±2'

8. RoHS Compliance



ITEM	NAME OF PART	MATERIAL	NOTES
4	Pin header	Copper alloy	Sn plated
3	Cage	Copper alloy	M3/Ni plated
2	Screw	Copper alloy	M3/Ni plated
1	Housing	PA66	UL94V-0

PART NO.: /		宁波高松电子有限公司 NINGBO DEGSON ELECTRICAL CO., LTD	
APPD:	NAME: TSCK4-01P-1Y-01A(H)		
CHKD:			
DRFT: Xin 2017.01.02	TITLE: CUSTOMER DRAWING	REV	TO
THIRD ANGLE PROJECTION		DRAWING NO.: TSCK4-C04	SHEET 1/1
MM (INCH) DO NOT SCALE DRAWING		SCALE	1:1