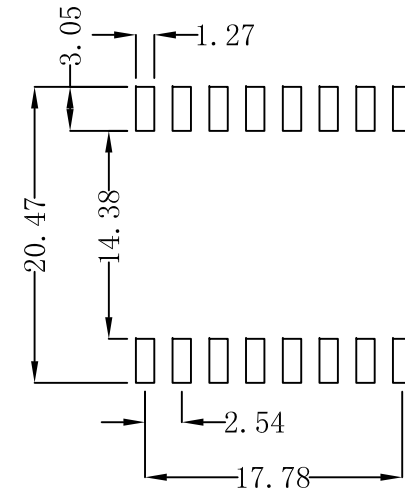
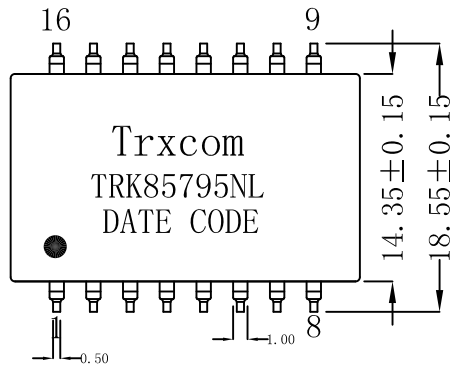
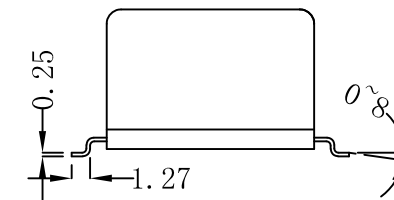
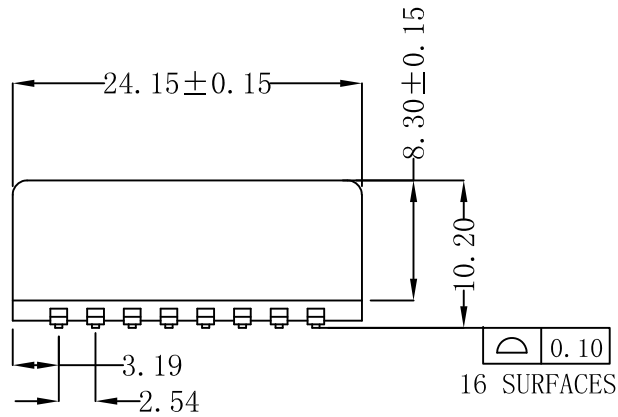


Mechanical:

REV.	ECN NO.	DESCRIPTION	DATE	APPD
A	REL		2015-05-29	



SUGGESTED PAD LAYOUT



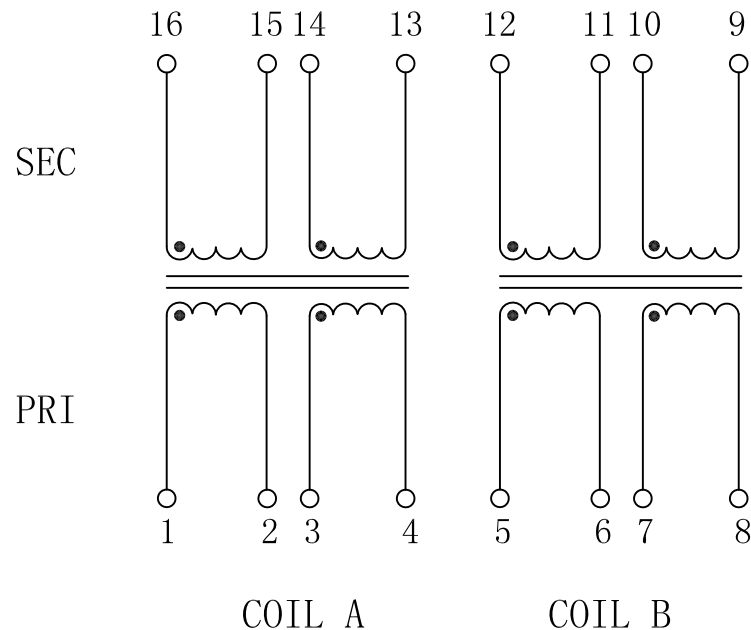
NOTES:

1. Surface Mount, Dual
2. 2000 Vrms
3. For RoHS part add suffix NL
4. Maximun reflow temperature is 250°C, 5 Sec.
5. UL Certification: File Number E321120.

X:X	±0.20	APPD:	Trxcom Huizhou Trxcom Electronics Co., ltd	
X:XX	±0.15	CHKD:		
X:XXX	±0.10	DR: GRANT	TITLE: ISDN S-INTERFACE TRANSFORMER	
ANGLES	±1°	UNIT: mm	PART NO.: TRK85795NL	
	SCALE: 4/1	SHEET: 1/2	REV: A	DWG NO.: TRC10112203

Schematic:

REV.	ECN NO.	DESCRIPTION	DATE	APPD
A	REL		2015-05-29	



Electrical Specifications @25°C

- Turns Ratio ($\pm 2\%$):
A 1:2 B 1:2
- OCL Pri: 22mH Min
- LL Sec: 15uH Max
- Cw/w: 100pF Max
- CD Pri: 80pF Max
- DCR Pri: $2.5\Omega \pm 25\%$
- DCR Sec: $4.3\Omega \pm 25\%$
- Idc: 1mA Max
- Operating Temperature 0°C to 70°C.



X:X	± 0.20	APPD:	Trxcom Huizhou Trxcom Electronics Co., Ltd
X:XX	± 0.15	CHKD:	
X:XXX	± 0.10	DR: GRANT	TITLE: ISDN S-INTERFACE TRANSFORMER
ANGLES	$\pm 1^\circ$	UNIT: mm	PART NO.: TRK85795NL
	SCALE: 4/1	SHEET: 1/2	REV: A DWG NO.: TRC10112203