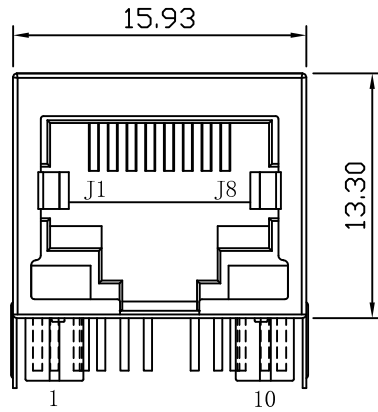
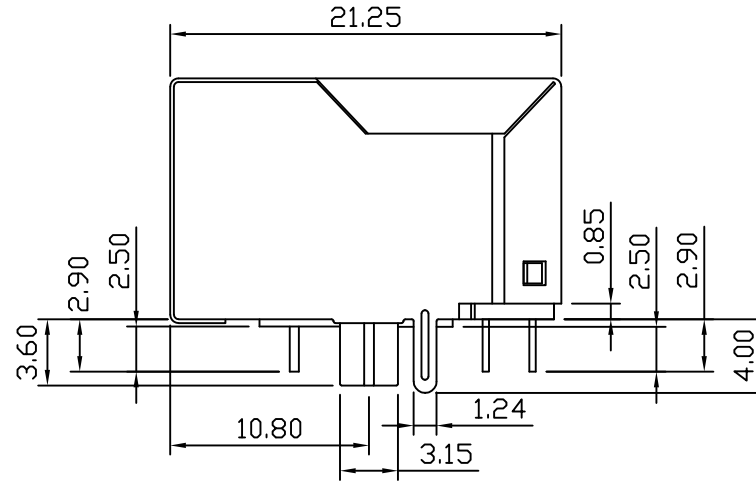


Mechanical:

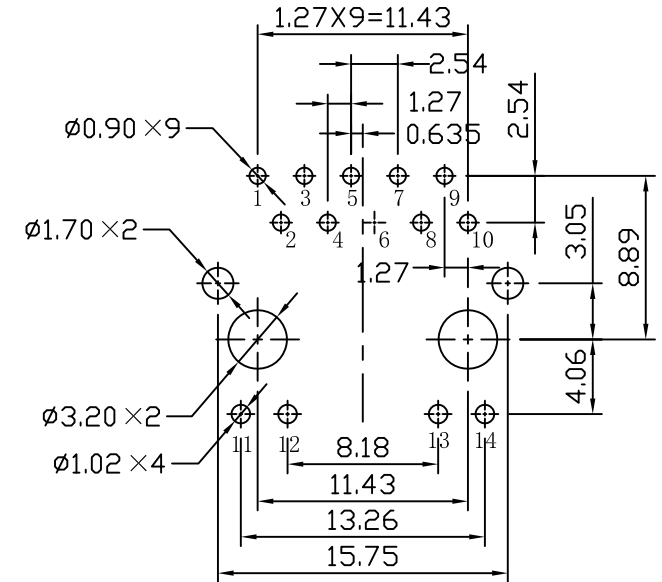
REV.	ECN NO.	DESCRIPTION	DATE	APPD
A	REL		2017/06/26	



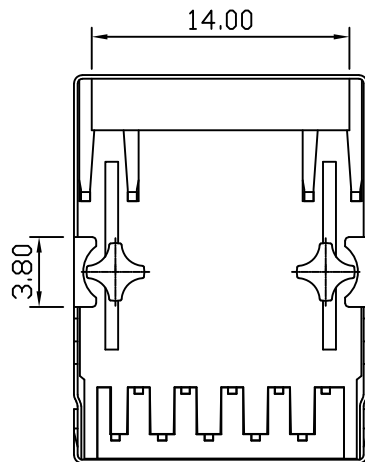
Front Side View



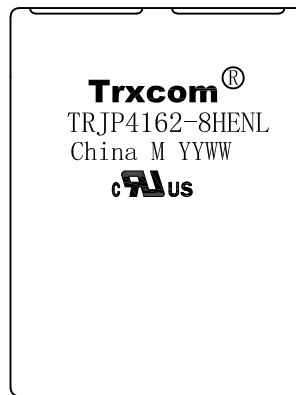
Left Side View



Suggested PCB Layout (Top View)



Bottom Side View



Top Side View

NOTES:

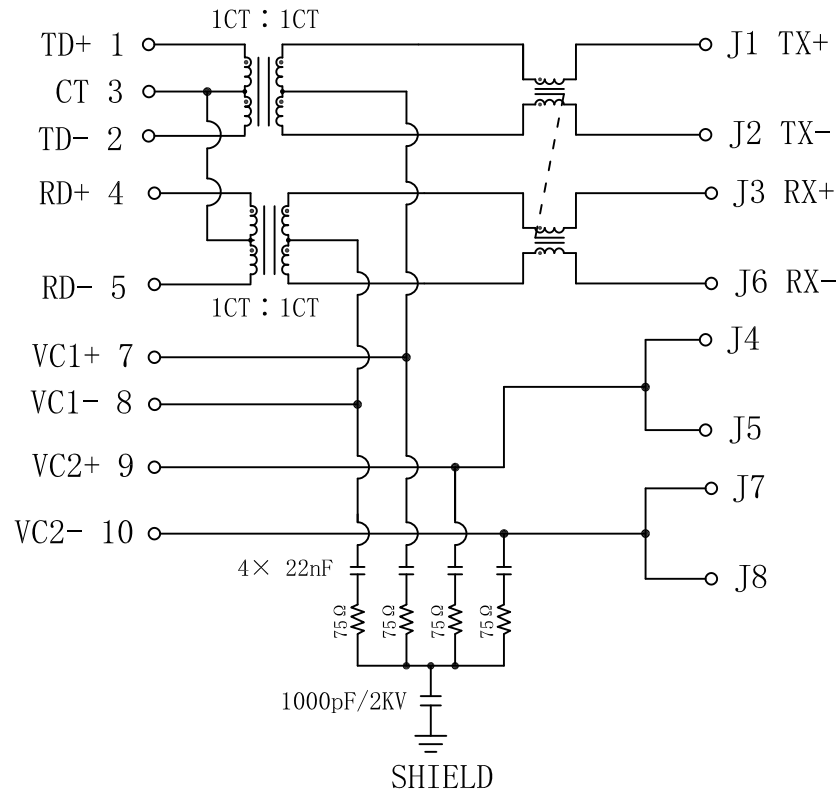
1. Designed to support application, such as SOHO (ADSL modems), LAN-on-Motherboard (LOM), hub and Switches.
2. Designed for PoE, IEEE802.3at applications
3. Power on used or unused pairs for up to 720mADC.
4. Connector Materials:
 Housing: Thermoplastic PBT+30%G.F UL94V-0
 Contact: Phosphor Bronze C5210R-EH Thickness=0.35mm
 Pins: Brass C2680R-H Thickness=0.35mm
 Shield: SUS 201-1/2H Thickness=0.2mm
 Contact plating: Gold 30 micro-inches min. In contact area.
5. Wave solder tip temperature: 250°C, 5 Sec.
6. UL Certification: File Number E321120.

X:X	±0.25	APPD:	Trxcom Huizhou Trxcom Electronics Co., Ltd.
X:XX	±0.20	CHKD:	
X:XXX	±0.05	DR: SEA	TITLE: RJ45 Connector with 10/100 Base-T Integrated Magnetics For PoE+ Application
ANGLES	±1°	UNIT: mm	PART NO.: TRJP4162-8HENL
	SCALE: 2/1	SHEET: 1/4	REV: A
			DWG NO.: TRC17062615

Schematic:

REV.	ECN NO.	DESCRIPTION	DATE	APPD
A	REL		2017/06/26	

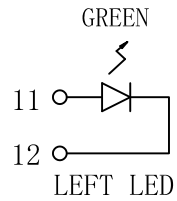
PC BOARD CONNECTIONS



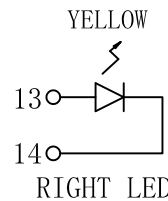
RJ45 CONNECTOR

Electrical Specifications @25°C

- Turns Ratio($\pm 2\%$):
TX=1CT:1CT RX=1CT:1CT
- Inductance (@100KHz, 0.1V, 18mADC):
350uH Min
- Insertion Loss:
1-100MHz:-1.0 dB Max
- Return Loss(dB Min):
1-30MHz:-18 30-45MHz:-16
45-60MHz:-14 60-80MHz:-12
- Crosstalk:
1-100MHz:-30dB Typ
- Common Mode Rejection:
1-100MHz:-30dB Min
- Hipot: 1500Vrms Min @60Hz
- Operating Temperature: -40°C ~+85°C.
- Operating Voltage: 54V (DC)



LEFT LED



RIGHT LED

Emitting Color	λ_p (nm)	V _F @I _F =20mA	I _R @V _R =5V
GREEN	565	1.8~2.6V	10 μ A max
YELLOW	585	1.8~2.6V	10 μ A max



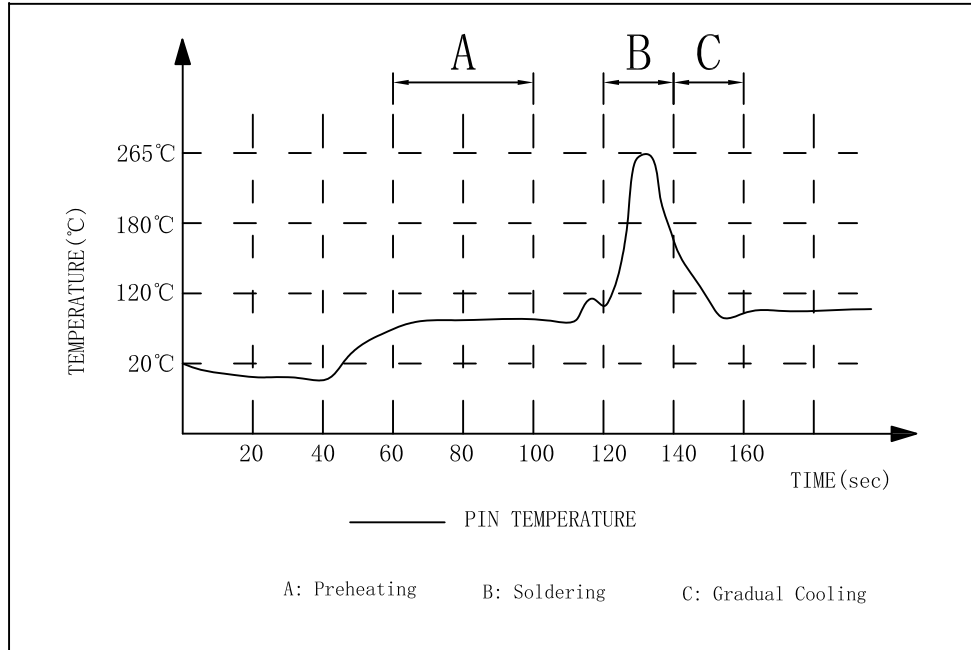
X:X	± 0.25	APPD:	Trxcom Huizhou Trxcom Electronics Co.,Ltd.	
X:XX	± 0.20	CHKD:		
X:XXX	± 0.05	DR: SEA	TITLE: RJ45 Connector with 10/100 Base-T Integrated Magnetics For PoE+ Application	
ANGLES	$\pm 1^\circ$	UNIT: mm	PART NO.:	TRJP4162-8HENL
	SCALE: 2/1	SHEET: 2/4	REV: A	DWG NO.: TRC17062615

Profile of wave solder:

REV.	ECN NO.	DESCRIPTION	DATE	APPD
A	REL		2017/06/26	

SUGGESTED PROFILE OF WAVE SOLDER FOR ROHS PRODUCT

REV: A
 TEMP(°C): 25
 HUM(%): 65 RH

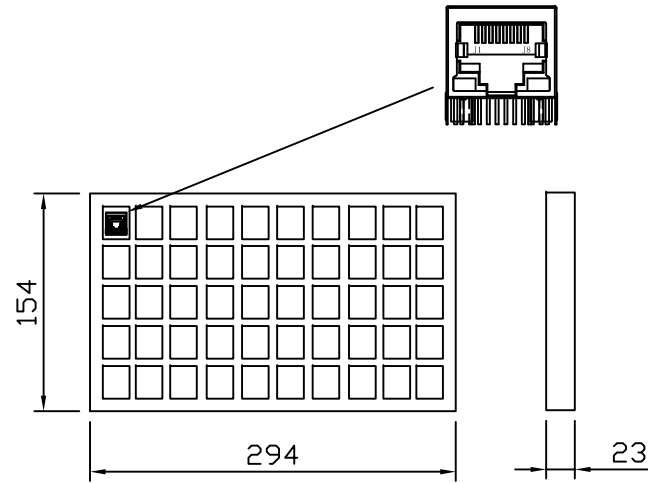


- (1) Tip Temperature: 265°C max
 - (2) Tip Temperature time: 5sec max
- Note: The melting point of Tin: 219°C

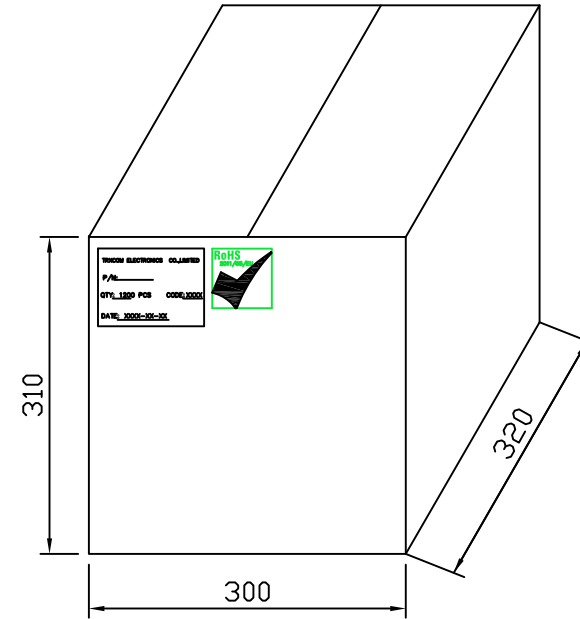
X:X ±0.25	APPD:	Trxcom Huizhou Trxcom Electronics Co.,Ltd.
X:XX ±0.20	CHKD:	
X:XXX ±0.05	DR: SEA	
ANGLES ±1°	UNIT: mm	TITLE: RJ45 Connector with 10/100 Base-T Integrated Magnetics For PoE+ Application
		PART NO. : TRJP4162-8HENL
	SCALE: 2/1	SHEET: 3/4
	REV: A	DWG NO. : TRC17062615

Packaging:

REV.	ECN NO.	DESCRIPTION	DATE	APPD.
A	REL		2017/06/26	



24Tray →



- ◆ Packaging unit: 50pcs/tray
- ◆ Packaging material: PVC
- ◆ Outer carton unit: 1200pcs/24tray/box
- ◆ Net Weight: 8kg
- ◆ Gross Weight: 10kg

X:X ±0.25	APPD:	Trxcom Huizhou Trxcom Electronics Co.,Ltd.		
X:XX ±0.20	CHKD:			
X:XXX ±0.05	DR: SEA			
ANGLES ±1°	UNIT: mm	TITLE: 1*1 21.25mm RJ45 Packing		
		PART NO. : TRJP4162-8HENL		
	SCALE: 2/1	SHEET: 4/4	REV: A	DWG NO. : TRC17062615