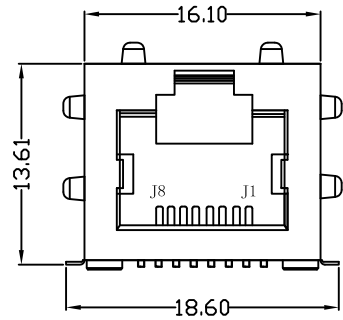
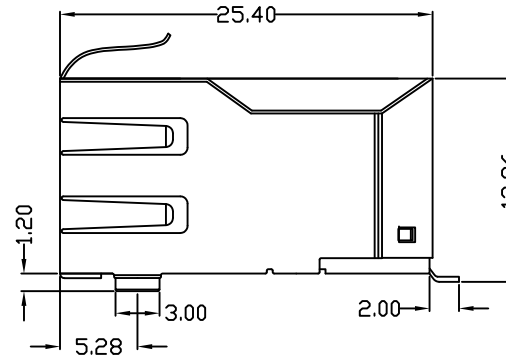


Mechanical:

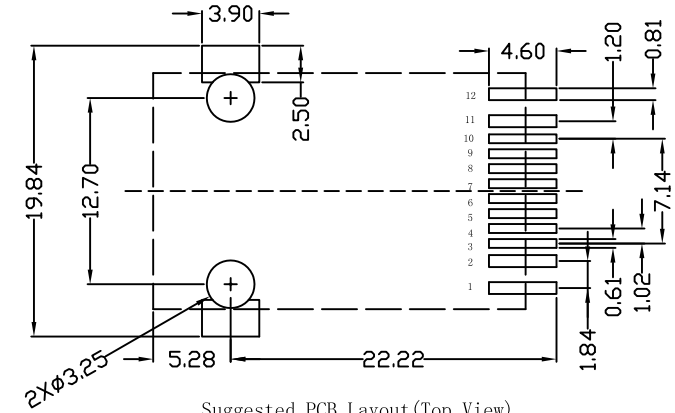
REV.	ECN NO.	DESCRIPTION	DATE	APPD
A	REL		2021-10-14	



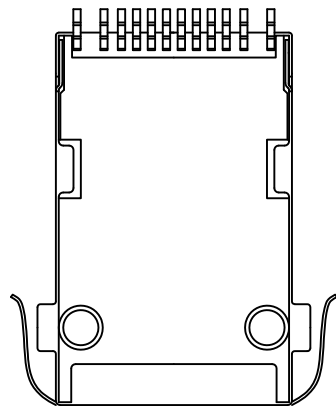
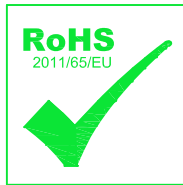
Front Side View



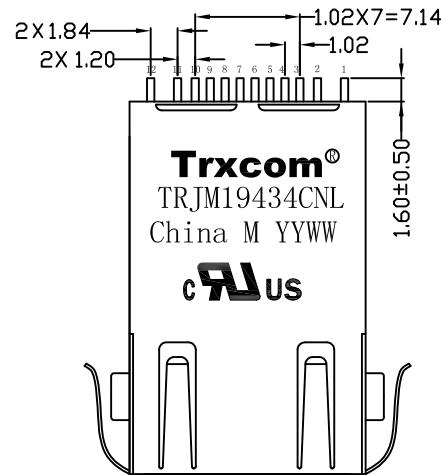
Left Side View



Suggested PCB Layout (Top View)



Bottom Side View



Top Side View

NOTES:

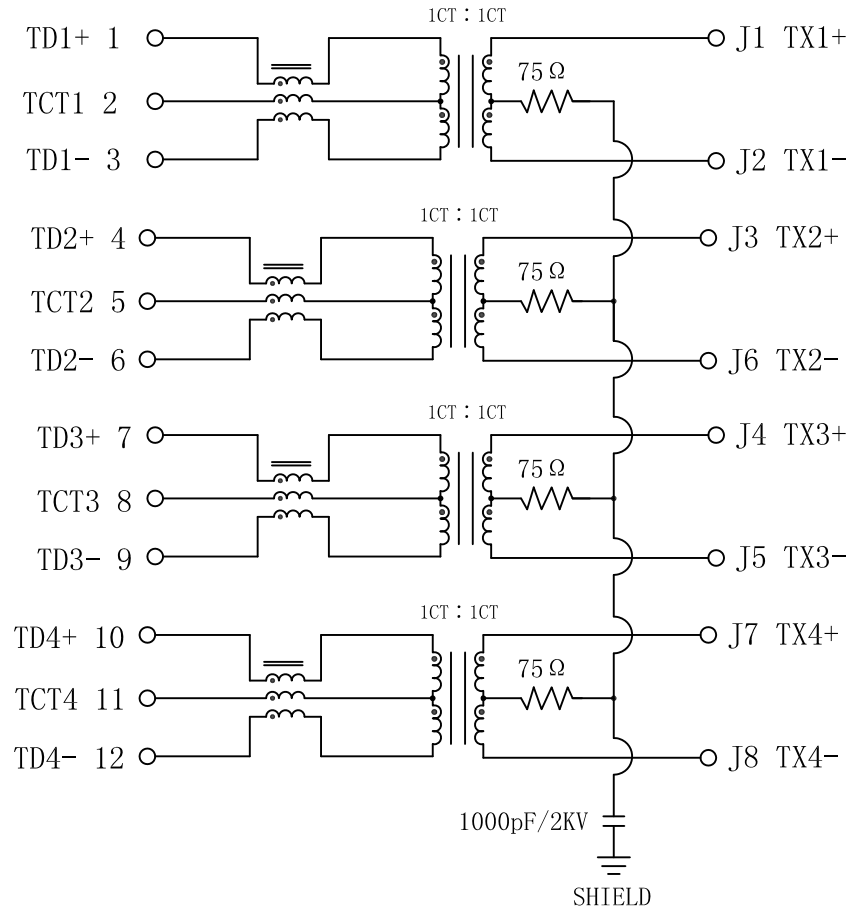
1. Designed to support application, such as SOHO (ADSL modems), LAN-on-Motherboard (LOM), hub and Switches.
2. Meets IEEE802.3 specification.
3. Connector Materials:
 Housing: Thermoplastic LCP+30%G. F UL94V-0
 Contact: Phosphor Bronze C5210R-EH Thickness=0.35mm
 Pins: Brass C2680R-H Thickness=0.35mm
 Shield: SUS 201-1/2H Thickness=0.2mm
 Contact plating: Gold 6 micro-inches min. In contact area.
4. Maximum reflow temperature is 250°C, 10 Sec.
5. UL Certification: File Number E321120.

X:X	±0.25	APPD:	Trxcom Huizhou Trxcom Electronics Co., Ltd.	
X:XX	±0.20	CHKD:		
X:XXX	±0.05	DR: SEA	TITLE: Surface Mount 1×1 Tab-Up RJ45 Connector With 2.5G Magnetic	
ANGLES	±1°	UNIT: mm	PART NO.: TRJM19434CNL	
	SCALE: 2/1	SHEET: 1/4	REV: A	DWG NO.: TRC21101401

Schematic:

REV.	ECN NO.	DESCRIPTION	DATE	APPD
A	REL		2021-10-14	

PC BOARD CONNECTIONS



RJ45 CONNECTOR

ELECTRICAL SPECIFICATIONS @25°C

- Turn Ratio(±2%) :
Pri:Sec = 1CT:1CT
- Inductance OCL:
150uH MIN @100KHz 0.1Vrms
- Insertion Loss(dB Max) :
1~125MHz:-1.0
- Return Loss(dB Min) :
1~40MHz:-20
40~200MHz:-22+15LOG₁₀(f/40)
- Cross talk(dB Typ) :
1~125MHz:-30
- Common Mode Rejection Ratio(dB Min) :
30~200MHz:-30
- Hipot Test: 1500Vrms
- Operating Temperature Range: -40°C ~+85°C.



X:X	±0.25	APPD:	Trxcom Huizhou Trxcom Electronics Co.,Ltd.	
X:XX	±0.20	CHKD:		
X:XXX	±0.05	DR: SEA	TITLE: Surface Mount 1×1 Tab-Up RJ45 Connector With 2.5G Magnetic	
ANGLES	±1°	UNIT: mm	PART NO. : TRJM19434CNL	
	SCALE: 2/1	SHEET: 2/4	REV: A	DWG NO. : TRC21101401

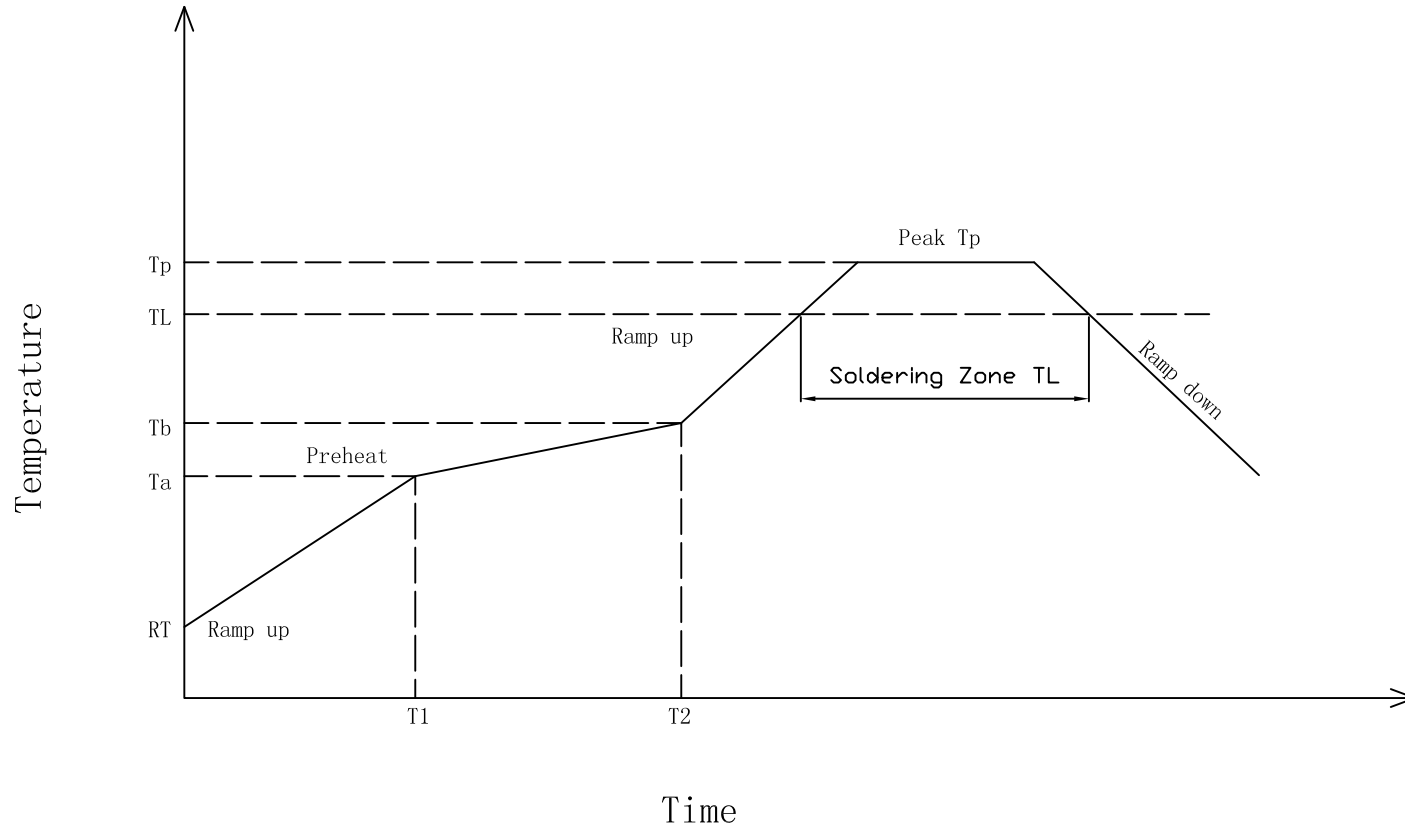
IR Reflow:

REV.	ECN NO.	DESCRIPTION	DATE	APPD
A	REL		2021-10-14	

REV: A

TEMP(°C): 25

HUM(%): 65 RH



Preheat:

Temperature (Ta-Tb) : 150-200°C

Time (T1-T2) : 60-180s

Holding Temperature: 217°C

Time (TL) : 60-150s

Max Temperature (Tp) : 250(+0/-5°C)

Max Time (Tp) : 10s

The average speed: 3°C/S Max

The average cooling speed: 6°C/S Max

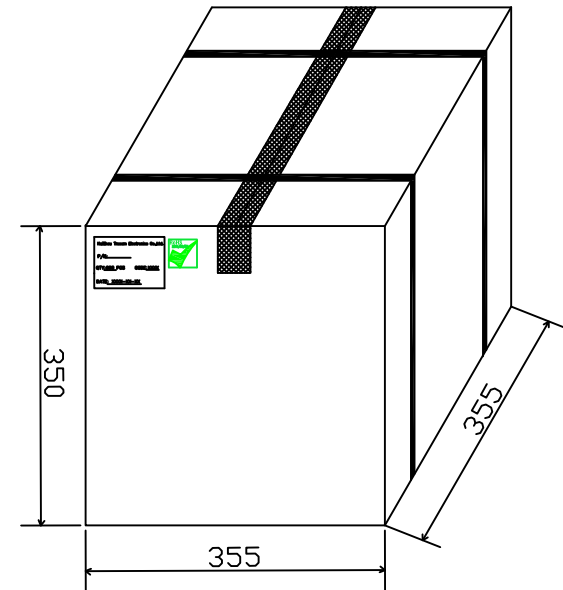
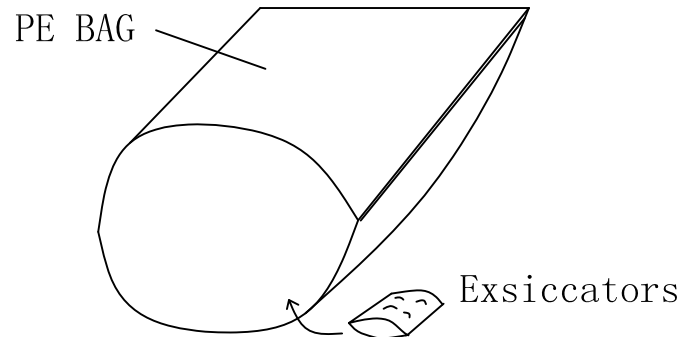
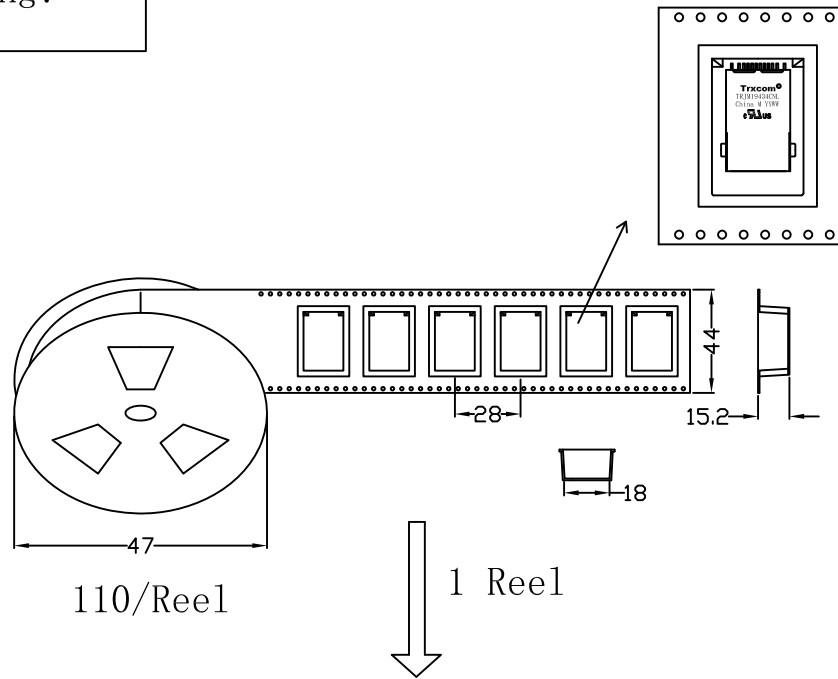
From 25°C to Products out of the furnace: 6 minutes Max



X:X ±0.25	APPD:	Trxcom
X:XX ±0.20	CHKD:	
X:XXX ±0.05	DR: SEA	TITLE: Surface Mount 1×1 Tab-Up RJ45 Connector With 2.5G Magnetic
ANGLES ±1°	UNIT: mm	PART NO.: TRJM19434CNL
	SCALE: 2/1	SHEET: 3/4
	REV: A	DWG NO.: TRC21101401

Packing:

REV.	ECN NO.	DESCRIPTION	DATE	APPD
A	REL		2021-10-14	



- ◆ Packaging unit: 110pcs/ reel
- ◆ Packaging way: Carrier tape
- ◆ Outer carton unit: 660pcs/6 Reel/box
- ◆ Net Weight: 5.5 kg
- ◆ Gross Weight: 8 kg

X:X	±0.25	APPD:	Trxcom Huizhou Trxcom Electronics Co.,Ltd.	
X:XX	±0.20	CHKD:		
X:XXX	±0.05	DR: SEA	TITLE: 1*1 25.40mm SMT RJ45 Packing	
ANGLES	±1°	UNIT: mm	PART NO.: TRJM19434CNL	
		SCALE: 2/1	SHEET: 4/4	REV: A
		DWG NO.:		TRC21101401