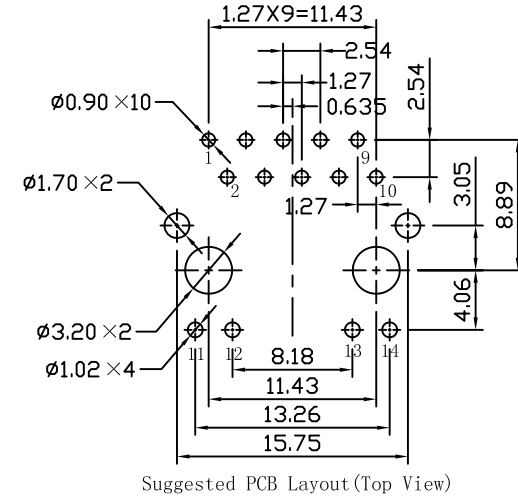
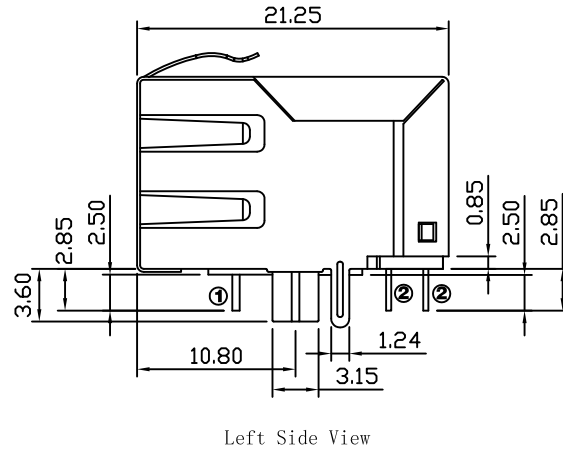
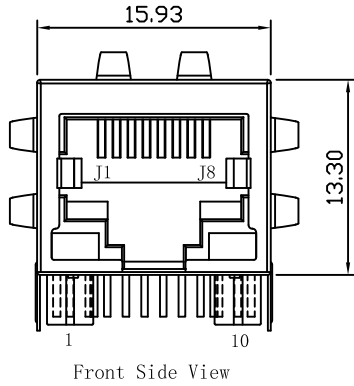


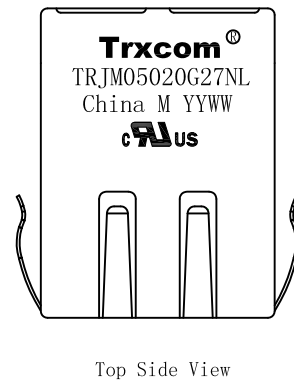
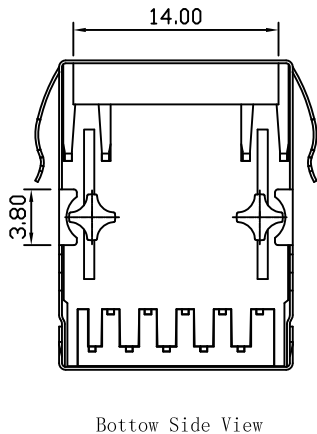
Mechanical:

REV.	ECN NO.	DESCRIPTION	DATE	APPD
A	REL		2021-11-17	



NOTES:

1. Designed to support application, such as SOHO (ADSL modems), LAN-on-Motherboard (LOM), hub and Switches.
2. Meets IEEE802.3 specification
3. Surge protection.
4. Connector Materials:
 Housing: Thermoplastic PBT+30%G. F UL94V-0
 Contact: Phosphor Bronze C5210R-EH Thickness=0.35mm
 Pins: Brass C2680R-H Thickness=0.35mm
 Shield: SUS 201-1/2H Thickness=0.2mm
 Contact plating: Gold 6 micro-inches min. In contact area.
5. Wave solder tip temperature: 265°C Max, 5 Sec.
6. UL Certification: File Number E321120

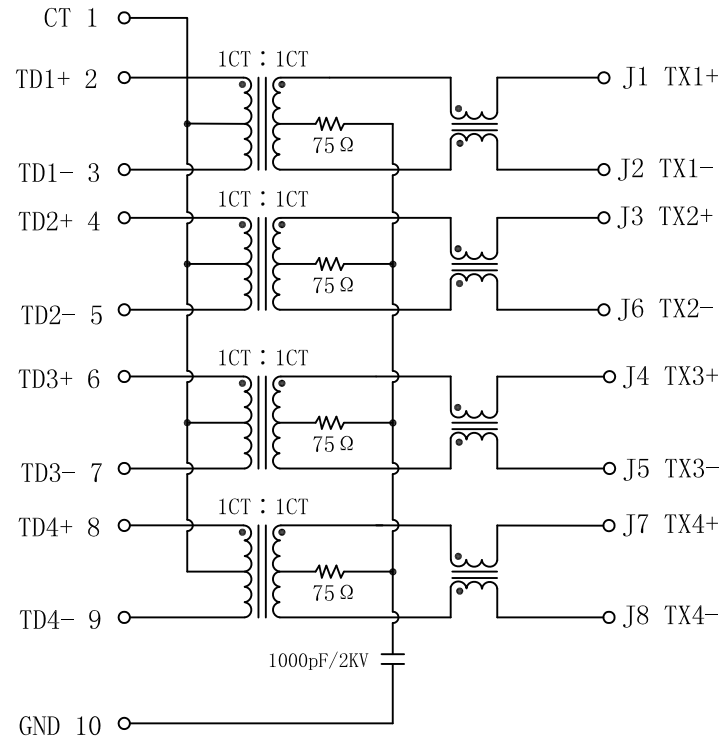


X:X	±0.25	APPD:	Trxcom Huizhou Trxcom Electronics Co., Ltd.	
X:XX	±0.20	CHKD:		
X:XXX	±0.05	DR: SEA	TITLE: RJ45 Connector with 2.5G Base-T Integrated Magnetics	
ANGLES	±1°	UNIT: mm	PART NO.: TRJM05020G27NL	
	SCALE: 2/1	SHEET: 1/4	REV: A	DWG NO.: TRC21111703

Schematic:

REV.	ECN NO.	DESCRIPTION	DATE	APPD
A	REL		2021-11-10	

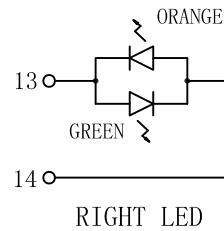
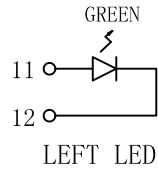
PC BOARD CONNECTIONS



RJ45 CONNECTOR

Electrical Specifications @ 25°C

1. OCL : 200uH Min@ 100KHz, 0.1V
2. Turn Ratio : 1CT:1CT +/- 5%
3. Insertion Loss :
 - 1-100MHz: -1.0dB Max
 - 100-125MHz: -1.5dB Max
4. Return Loss :
 - 1-30MHz: -16dB Min.
 - 30-100MHz: -12dB Min.
 - 100-150MHz: -10dB Min.
5. Cross Talk:
 - 1-125 MHz: -25dB Min.
6. Common Mode Rejection :
 - 1-125 MHz: -30dB Min.
7. Common Mode to Differential Mode Rejection :
 - 1-100 MHz: -30dB Min.
 - 100-125MHz: -28dB Min.
8. Isolation Hi-Pot : 2250VDC Min@ 60S
9. Operating Temperature Range: 0°C ~ 70°C.



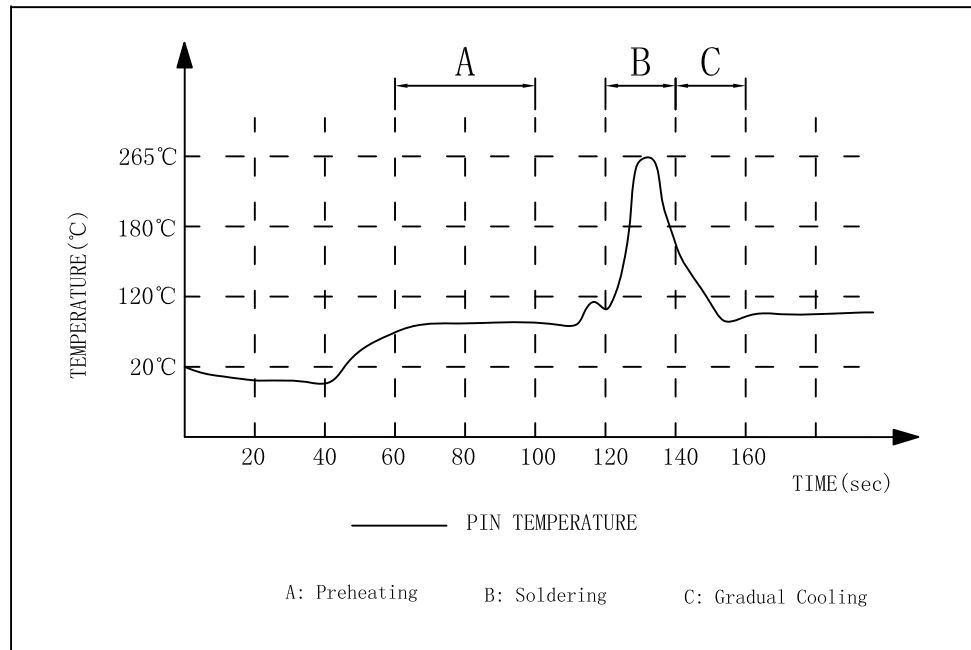
Emitting Color	λ_p (nm)	V _F @I _F =20mA	I _R @V _R =5V
GREEN	565	1.8~2.6V	10 μ A max
ORANGE	610	1.8~2.6V	10 μ A max

X:X	± 0.25	APPD:	Trxcom
X:XX	± 0.20	CHKD:	
X:XXX	± 0.05	DR: SEA	TITLE: RJ45 Connector with 2.5G Base-T Integrated Magnetics
ANGLES	$\pm 1^\circ$	UNIT: mm	PART NO.: TRJM05020G27NL
	SCALE: 2/1	SHEET: 2/4	REV: A
			DWG NO.: TRC21111703

Profile of wave solder:

REV.	ECN NO.	DESCRIPTION	DATE	APPD
A	REL		2021-11-10	

SUGGESTED PROFILE OF WAVE SOLDER FOR ROHS PRODUCT

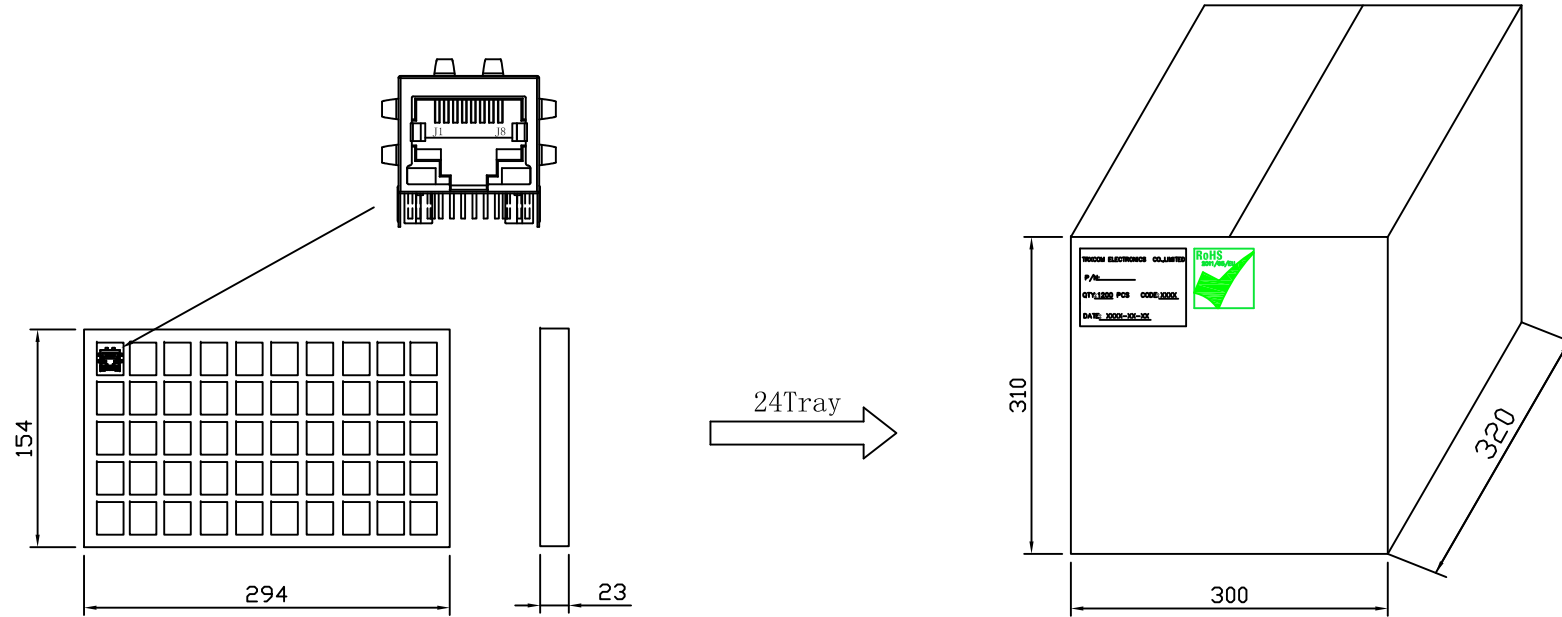


- (1) Tip Temperature: 265°C max
 - (2) Tip Temperature time: 5sec max
- Note: The melting point of Tin: 219°C

X:X	±0.25	APPD:	Trxcom Huizhou Trxcom Electronics Co.,Ltd.	
X:XX	±0.20	CHKD:		
X:XXX	±0.05	DR: SEA	TITLE: RJ45 Connector with 2.5G Base-T Integrated Magnetics	
ANGLES	±1°	UNIT: mm	PART NO.: TRJM05020G27NL	
	SCALE: 2/1	SHEET: 3/4	REV: A	DWG NO.: TRC21111703

Packaging:

REV.	ECN NO.	DESCRIPTION	DATE	APPD
A	REL		2021-11-10	



- ◆ Packaging unit: 50pcs/tray
- ◆ Packaging material: PVC
- ◆ Outer carton unit: 1200pcs/24tray/box
- ◆ Net Weight: 8kg
- ◆ Gross Weight: 10kg

X:X	±0.25	APPD:	Trxcom
X:XX	±0.20	CHKD:	
X:XXX	±0.05	DR: SEA	TITLE: 1*1 21.25mm RJ45 Packing
ANGLES	±1°	UNIT: mm	PART NO.: TRJM05020G27NL
		SCALE: 2/1	SHEET: 4/4
		REV: A	DWG NO.: TRC21111703