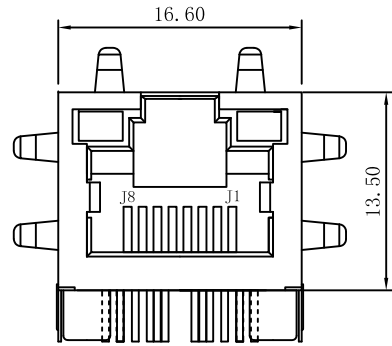
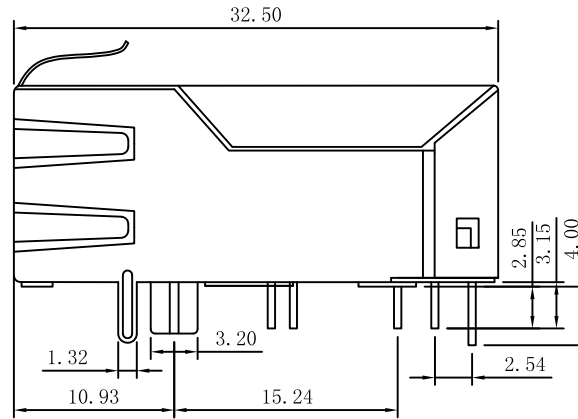


Mechanical :

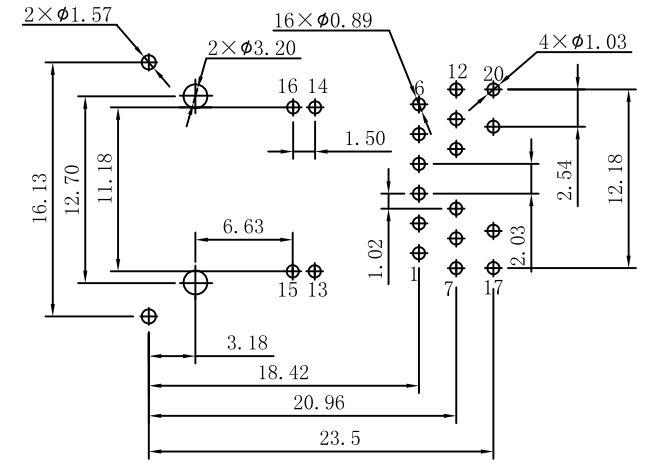
REV.	ECN NO.	DESCRIPTION	DATE	APPD
A	REL		2020-01-14	



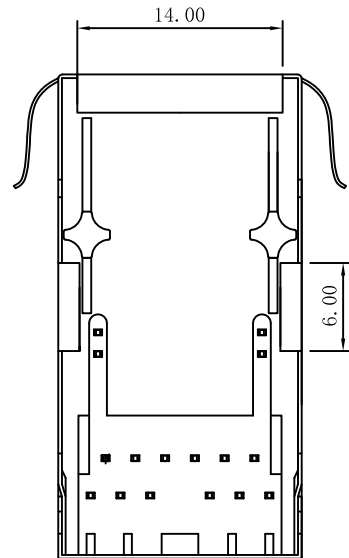
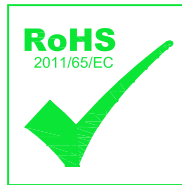
Front Side View



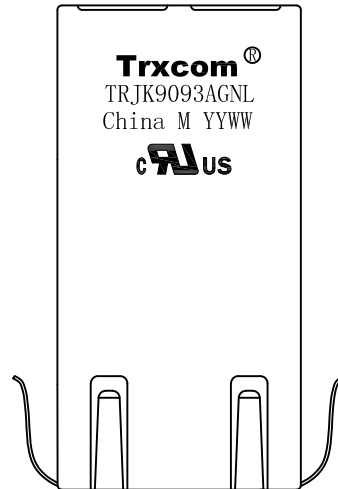
Left Side View



Suggested PCB Layout (Top View)



Bottom Side View



Top Side View

NOTES:

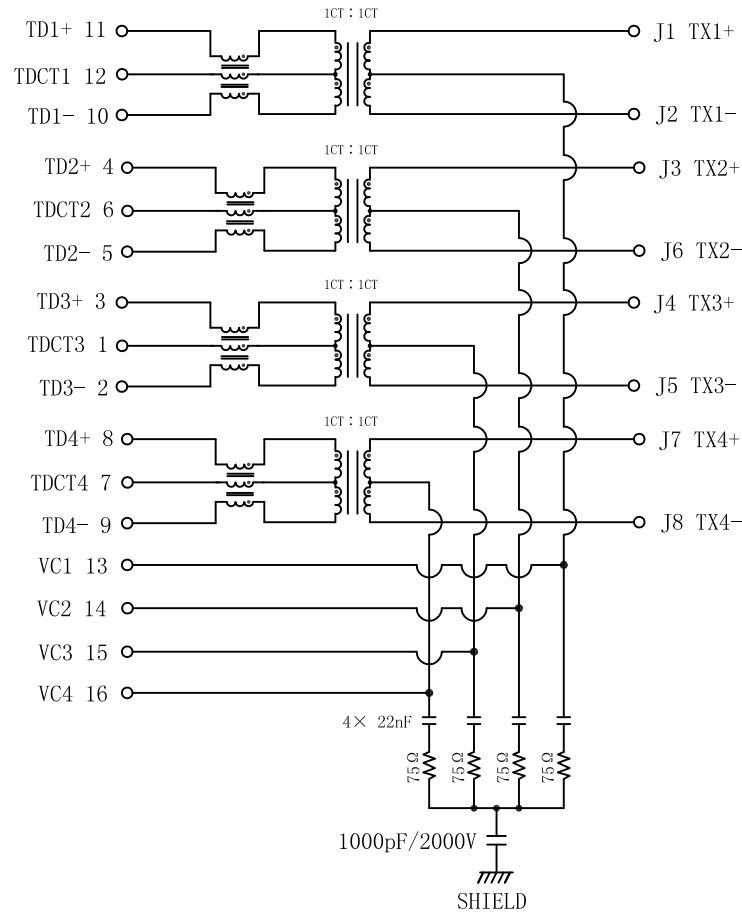
1. Designed to support application, such as SOHO (ADSL modems), LAN-on-Motherboard (LOM), hub and Switches.
2. Meets IEEE 802.3bt specification
3. Connector Materials:
Housing: Thermoplastic UL94V-0
Contact/Shield: Copper alloy
Shield plating: Nickel
Contact plating: Gold 6 micro-inches min. In contact area.
4. Wave solder tip temperature: 265°C Max, 5 Sec.
5. UL Certification: File Number E321120

X:X	±0.25	APPD:	Trxcom Huizhou Trxcom Electronics Co., Ltd.	
X:XX	±0.20	CHKD:		
X:XXX	±0.05	DR: SEA	TITLE: RJ45 Connector with 10G Base-T Integrated Magnetics For PoE++ Application	
ANGLES	±1°	UNIT: mm	PART NO.: TRJK9093AGNL	
	SCALE: 2/1	SHEET: 1/4	REV: A	DWG NO.: TRC20011425

Schematic:

REV.	ECN NO.	DESCRIPTION	DATE	APPD
A	REL		2020-01-14	

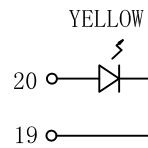
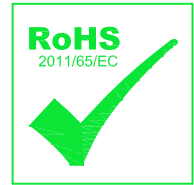
PC BOARD CONNECTIONS



RJ45 CONNECTOR

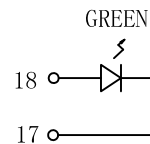
ELECTRICAL SPECIFICATIONS @25°C

- Turn Ratio ($\pm 2\%$):
Pri : Sec = 1CT : 1CT
- Inductance OCL:
180uH MIN @100KHz 0.1Vrms
- Insertion Loss (dB Max):
100KHz: -3.0
100~500MHz: -3.0
1~100MHz: -1.0
- Return Loss (dB Min):
1~100MHz: -22
100~500MHz: -22+18.27*LOG₁₀(f/100)
- Cross talk (dB Min):
1~100MHz: -28
100~500MHz: -19
- CDMR (dB Min):
1~250MHz: -30
250~500MHz: -22
- Balance DC Line current:
1.0A MAX, @57VDC Continuous.
- Hipot Test: 1500Vrms
- Operating Temperature Range: 0°C ~ 70°C.



LEFT LED

LED POLARITY		COLOR
PIN 20	PIN 19	
+	-	YELLOW



RIGHT LED

LED POLARITY		COLOR
PIN 18	PIN 17	
+	-	GREEN

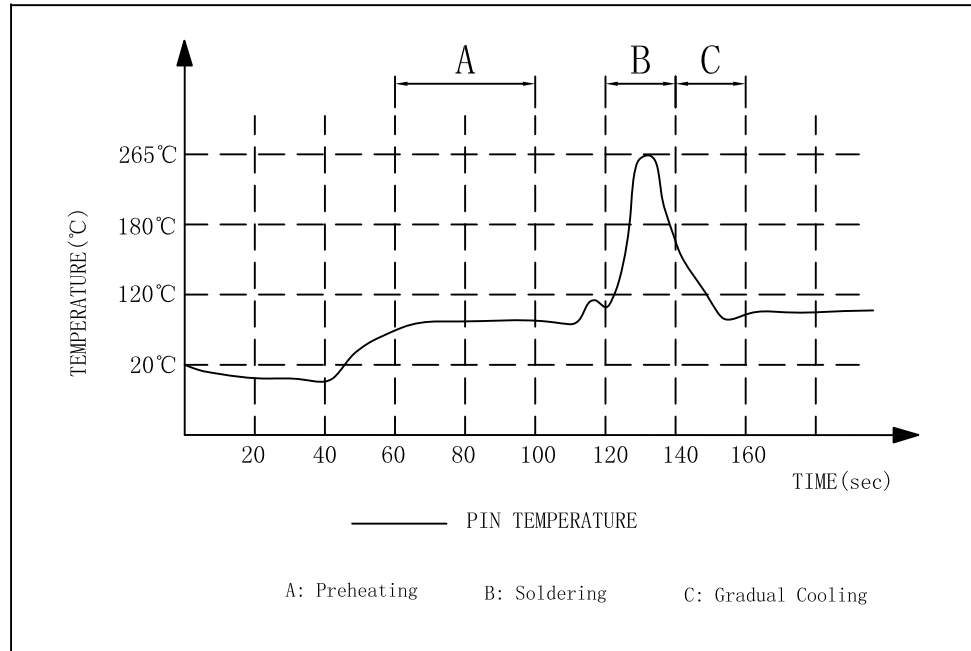
Emitting Color	λ_p (nm)	V _F @I _F =20mA	I _R @V _R =5V
GREEN	565	1.8~2.6V	10 μ A max
YELLOW	585	1.8~2.6V	10 μ A max

X:X	± 0.25	APPD:	Trxcom	
X:XX	± 0.20	CHKD:	Huizhou Trxcom Electronics Co., Ltd.	
X:XXX	± 0.05	DR: SEA	TITLE: RJ45 Connector with 10G Base-T Integrated Magnetics For PoE++ Application	
ANGLES	$\pm 1^\circ$	UNIT: mm	PART NO.:	TRJK9093AGNL
	SCALE: 2/1	SHEET: 2/4	REV: A	DWG NO.: TRC20011425

Profile of wave solder:

REV.	ECN NO.	DESCRIPTION	DATE	APPD
A	REL		2020-01-14	

SUGGESTED PROFILE OF WAVE SOLDER FOR ROHS PRODUCT

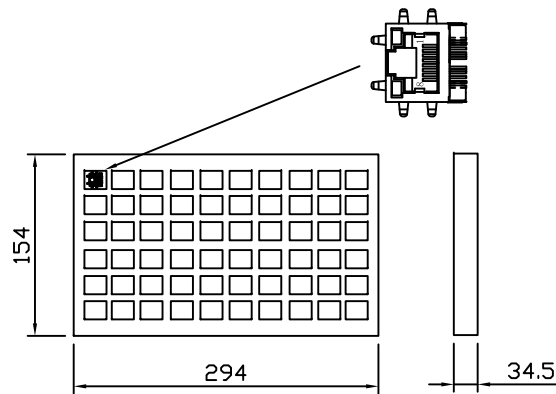


- (1) Tip Temperature: 265°C max
 - (2) Tip Temperature time: 5sec max
- Note: The melting point of Tin: 219°C

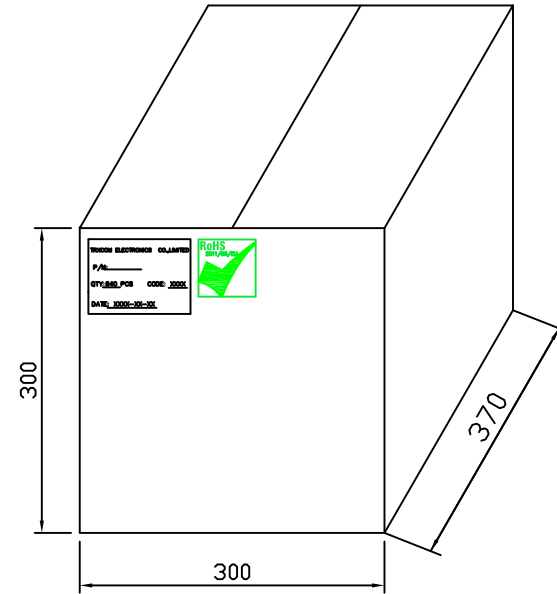
X:X	±0.25	APPD:	Trxcom Huizhou Trxcom Electronics Co.,Ltd.		
X:XX	±0.20	CHKD:			
X:XXX	±0.05	DR: SEA	TITLE: RJ45 Connector with 10G Base-T Integrated Magnetics For PoE++ Application		
ANGLES	±1°	UNIT: mm	PART NO. : TRJK9093AGNL		
		SCALE: 2/1	SHEET: 3/4	REV: A	DWG NO. : TRC20011425

Packaging:

REV.	ECN NO.	DESCRIPTION	DATE	APPD
A	REL		2020-01-14	



14Tray →



- ◆ Packaging unit: 60pcs/tray
- ◆ Packaging material: PVC
- ◆ Outer carton unit: 840pcs/14tray/box
- ◆ Net Weight: 7kg
- ◆ Gross Weight: 9kg

X:X	±0.25	APPD:	Trxcom Huizhou Trxcom Electronics Co.,Ltd.		
X:XX	±0.20	CHKD:			
X:XXX	±0.05	DR: SEA	TITLE: 1*1 32.50mm RJ45 Packing		
ANGLES	±1°	UNIT: mm	PART NO. : TRJK9093AGNL		
		SCALE: 2/1	SHEET: 4/4	REV: A	DWG NO. : TRC20011425