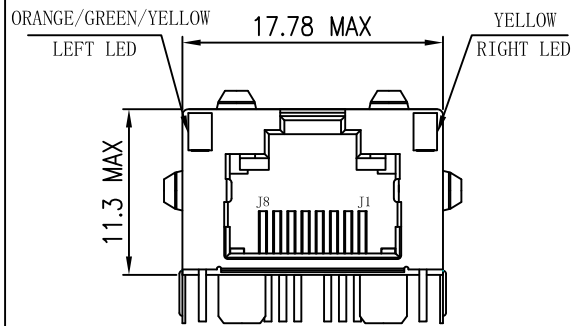
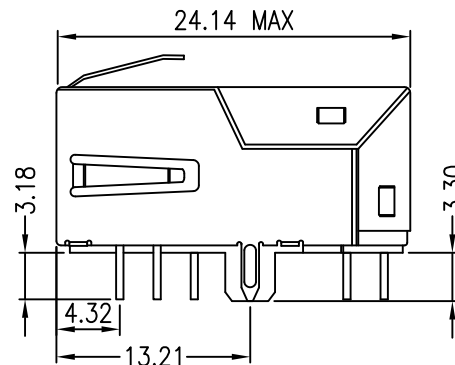


Mechanical :

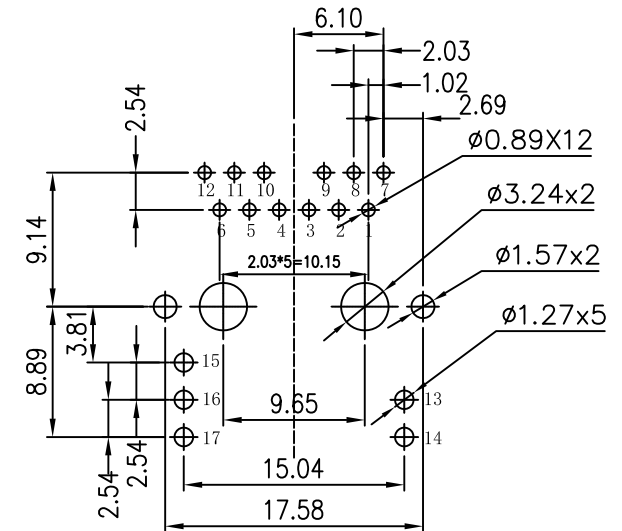
REV.	ECN NO.	DESCRIPTION	DATE	APPD
A	REL		2015-04-28	



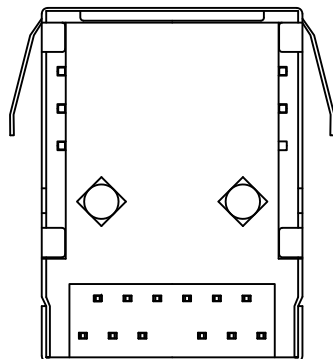
Front Side View



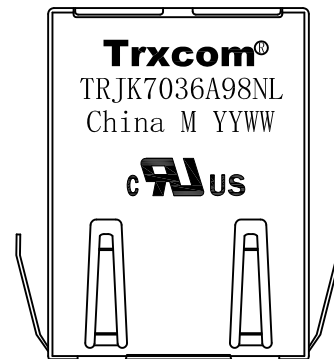
Left Side View



Suggested PCB Layout (Top View)



Bottom Side View



Top Side View

NOTES:

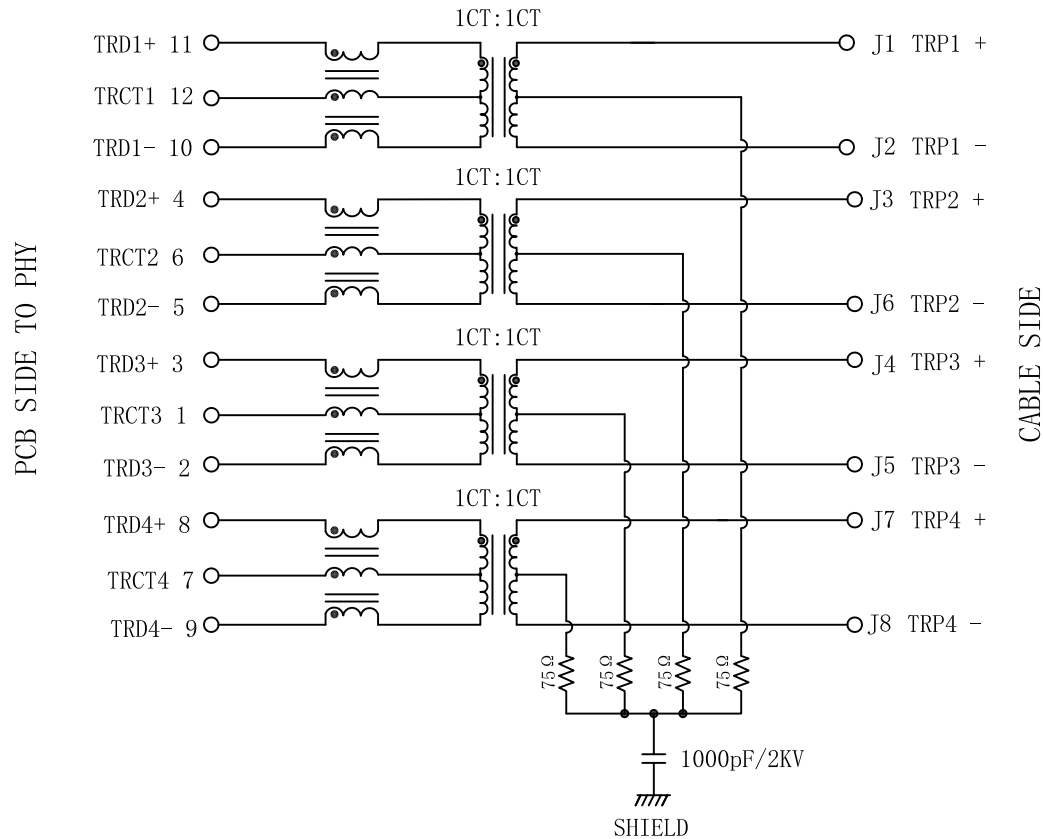
1. Meets IEEE 802.3 specification
2. Connector Materials:
Housing: Thermoplastic UL94V-0
Contact/Shield: Copper alloy
Shield plating: Nickel
Contact plating: Gold 6 micro-inches min. In contact area.
3. Wave solder tip temperature: 265°C Max, 5 Sec Max
4. UL Certification: File Number E321120



X:X	±0.25	APPD:	Trxcom Huizhou Trxcom Electronics Co., Ltd.	
X:XX	±0.20	CHKD:		
X:XXX	±0.05	DR: SEA	TITLE: RJ45 Connector with 1000 Base-T Integrated Magnetics	
ANGLES	±1°	UNIT: mm	PART NO.: TRJK7036A98NL	
	SCALE: 2/1	SHEET: 1/4	REV: A	DWG NO.: TRC15042828

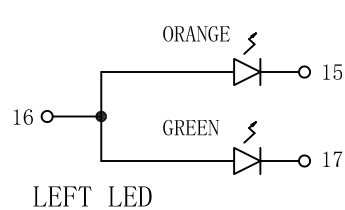
Schematic:

REV.	ECN NO.	DESCRIPTION	DATE	APPD
A	REL		2015-04-28	



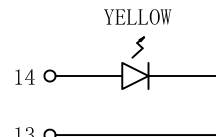
Electrical Specification @25°C

- Turns Ratio ($\pm 2\%$) : 1CT : 1CT
- 0CL: 350uH Min @100KHz/100mVrms
8mA DC Bias (0°C~70°C)
- Insertion Loss(dB Max):
1~100MHz:-1.2
- Return Loss(dB Typ @100 OHMS $\pm 15\%$):
1~10MHz:-18 30MHz:-18
60~80MHz:-12 80~100MHz:-10
- Crosstalk(dB Typ):
1~10MHz:-40 32~65MHz:-35
65~100MHz:-30
- Common Mode Rejection:
1~125MHz:-30dB Typ
- Hipot: 1500Vrms
- Operating Temperature: 0°C~+70°C.



LEFT LED

LED POLARITY			COLOR
PIN 15	PIN 16	PIN 17	
-	+	/	ORANGE
/	+	-	GREEN
-	+	-	YELLOW



RIGHT LED

LED POLARITY			COLOR
PIN 13	PIN 14		
-	+		YELLOW

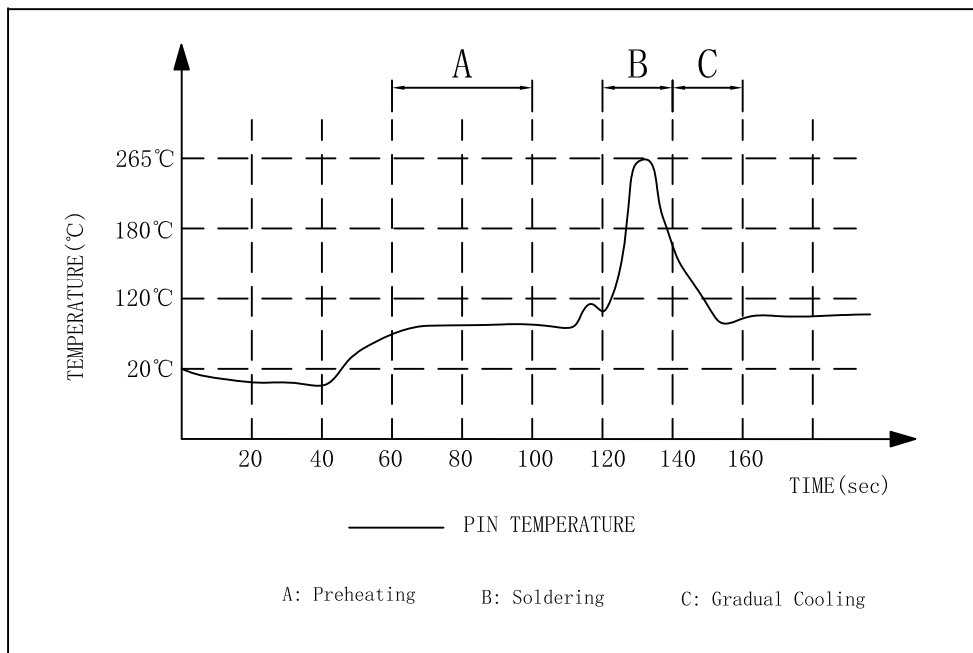
Emitting Color	λ_p (nm)	VF@IF=20mA	IR@VR=5V
ORANGE	610	1.8~2.6V	10 μ A max
GREEN	565	1.8~2.6V	10 μ A max
YELLOW	585	1.8~2.6V	10 μ A max

X:X	± 0.25	APPD:	Trxcom
X:XX	± 0.20	CHKD:	
X:XXX	± 0.05	DR: SEA	TITLE: RJ45 Connector with 1000 Base-T Integrated Magnetics
ANGLES	$\pm 1^\circ$	UNIT: mm	PART NO. : TRJK7036A98NL
	SCALE: 2/1	SHEET: 2/4	REV: A DWG NO. : TRC15042828

Profile of wave solder:

REV.	ECN NO.	DESCRIPTION	DATE	APPD
A	REL		2015-04-28	

SUGGESTED PROFILE OF WAVE SOLDER FOR ROHS PRODUCT

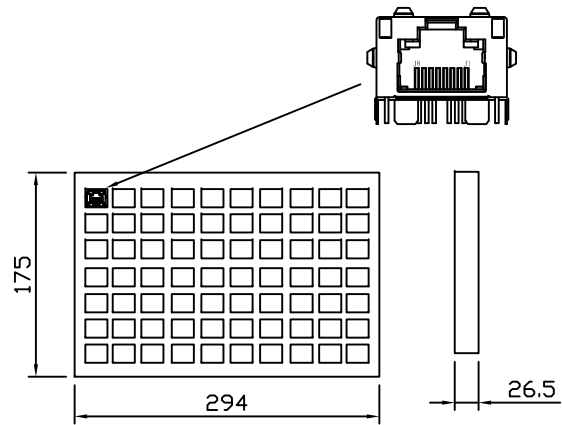


- (1) Tip Temperature: 265°C max
 - (2) Tip Temperature time: 5sec max
- Note: The melting point of Tin: 219°C

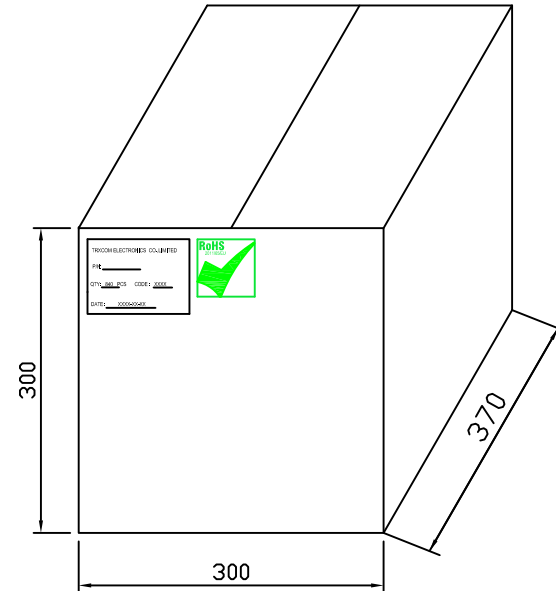
X:X	±0.25	APPD:	Trxcom Huizhou Trxcom Electronics Co., Ltd.	
X:XX	±0.20	CHKD:		
X:XXX	±0.05	DR: SEA	TITLE: RJ45 Connector with 1000 Base-T Integrated Magnetics	
ANGLES	±1°	UNIT: mm	PART NO.: TRJK7036A98NL	
	SCALE: 2/1	SHEET: 3/4	REV: A	DWG NO.: TRC15042828

Packaging:

REV.	ECN NO.	DESCRIPTION	DATE	APPD
A	REL		2015-04-28	



12Tray →



- ◆ Packaging unit :70pcs/tray
- ◆ Packaging material:PVC
- ◆ Outer carton unit:840pcs/12tray/box
- ◆ Net Weight:8kg
- ◆ Gross Weight:10kg

X:X	±0.25	APPD:	Trxcom	
X:XX	±0.20	CHKD:	HuiZhou Trxcom Electronics Co.,ltd	
X:XXX	±0.05	DR: SEA	TITLE: 1*1 24.14 RJ45 PACKING	
ANGLES	±1°	UNIT: mm	PART NO.: TRJK7036A98NL	
		SCALE: 2/1	SHEET: 4/4	REV: A
			DWG NO.:	TRC15042828