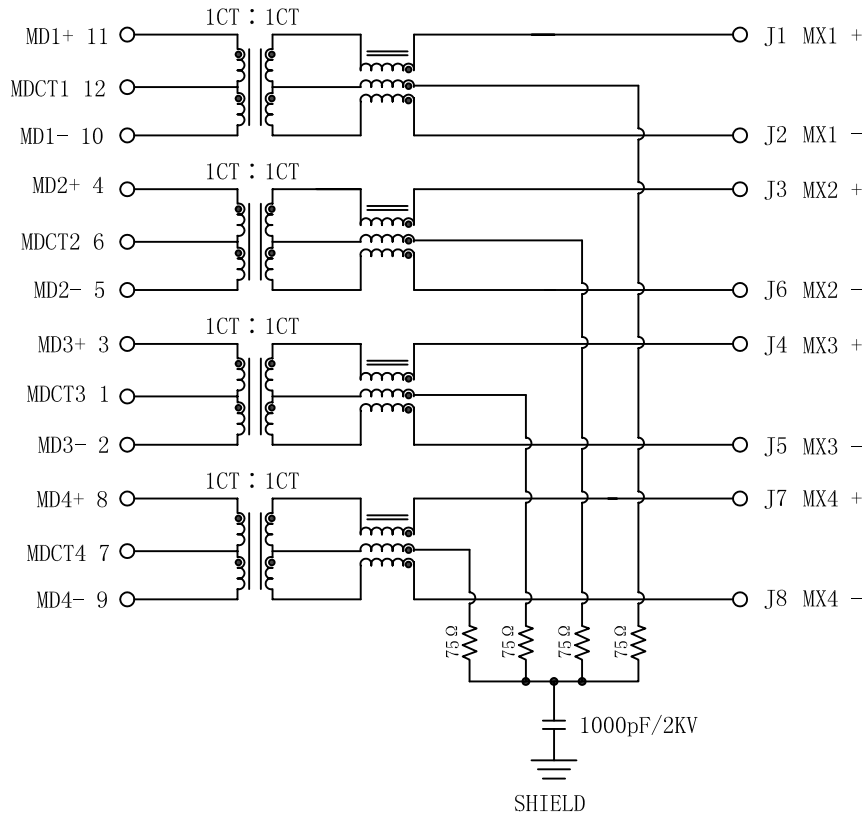




# Schematic:

REV.	ECN NO.	DESCRIPTION	DATE	APPD
A	REL		2012/03/15	

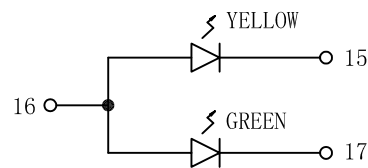
PCB CONNECTIONS



RJ45 CONNECTOR

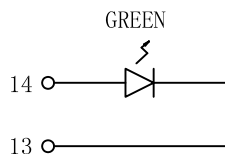
## Electrical Specification @25°C

- Turns Ratio ( $\pm 2\%$ ): 1CT : 1CT
- OCL: 350uH Min @100KHz/100mVrms  
8mA DC Bias (0°C~70°C)
- Insertion Loss(dB Max):  
1~100MHz:-1.2
- Return Loss(dB Typ @100 OHMS $\pm 15\%$ ):  
1~10MHz:-18      30MHz:-18  
60~80MHz:-12      80~100MHz:-10
- Crosstalk(dB Typ):  
1~10MHz:-40      32~65MHz:-35  
65~100MHz:-30
- Common Mode Rejection:  
1~125MHz:-30dB Typ
- Hipot: 1500Vrms
- Operating Temperature: 0°C~+70°C.



LEFT LED

LED POLARITY			COLOR
PIN 15	PIN 16	PIN 17	
-	+	/	YELLOW
/	+	-	GREEN



RIGHT LED

LED POLARITY		COLOR
PIN 13	PIN 14	
-	+	GREEN



X:X	$\pm 0.20$	APPD:	Trxcom	
X:XX	$\pm 0.10$	CHKD:	ShenZhen Trxcom Electronics Co.,ltd	
X:XXX	$\pm 0.05$	DR: C.H.Y	TITLE: RJ45 Connector With 1000 Base-TX Integrated Magnetic	
ANGLES	$\pm 1^\circ$	UNIT: mm	PART NO.: TRJK7003A97NL	
	SCALE: 2/1	SHEET: 2/2	REV: A	DWG: TRC12082416