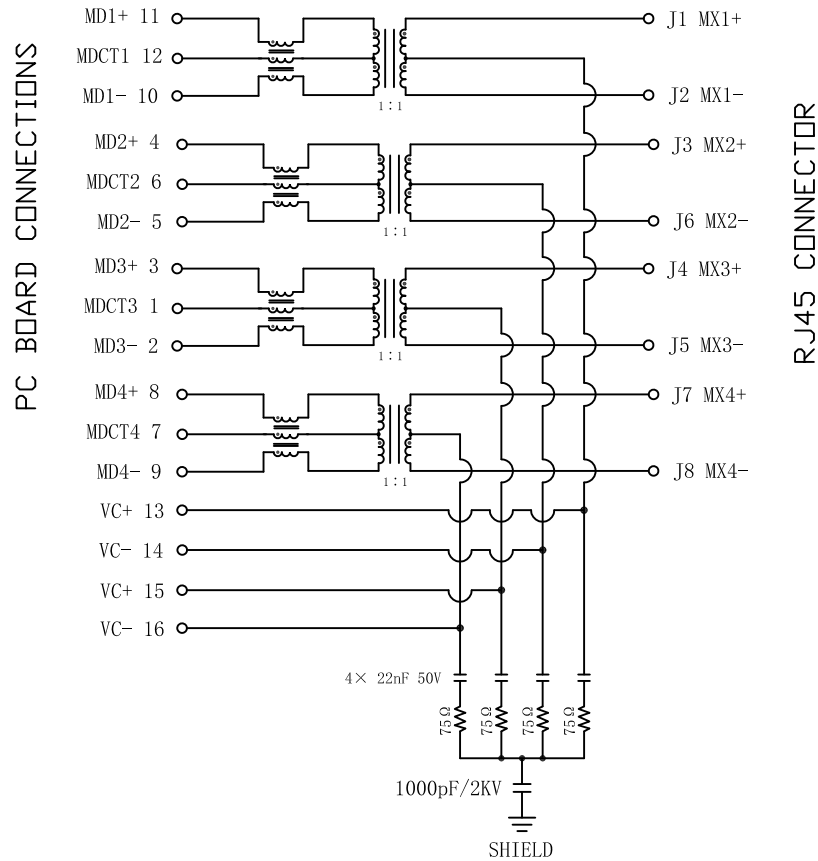


Schematic:

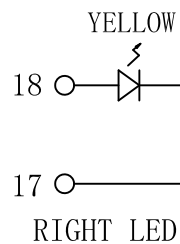
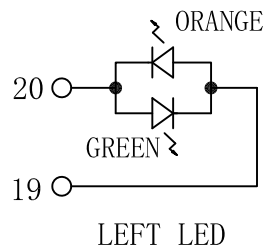
REV.	ECN NO.	DESCRIPTION	DATE	APPD
A	REL		2014-12-26	



ELECTRICAL SPECIFICATIONS @25°C

- Turn Ratio($\pm 3\%$):
Pri:Sec = 1CT:1CT
- Inductance OCL:
350uH MIN @100KHz 0.1V 20mA DC Bias
- DCR:1.2Ω MAX
- Insertion Loss:
-1.0dB MAX @1~100MHz
- Return Loss:
-18dB MIN @1~30MHz
-15dB MIN @30~60MHz
-12dB MIN @60~100MHz
- Cross talk:
-40dB MIN @1~30MHz
-35dB MIN @30~60MHz
-30dB MIN @60~100MHz
- Common Mode Rejection:
-30dB MIN @1~100MHz
- Balanced DC Line Current:
720mA Max @57VDC Continuous
1.2A Max @57VDC for 200 Miliseconds
- Hipot Test: 1500Vrms
- Operating Temperature Range: -40°C ~+85°C.

Emitting Color	λ_p (nm)	V _{F@I_F} =20mA	I _{R @V_R} =5V
GREEN	565	1.8~2.6V	10 μA max
YELLOW	585	1.8~2.6V	10 μA max
ORANGE	610	1.8~2.6V	10 μA max

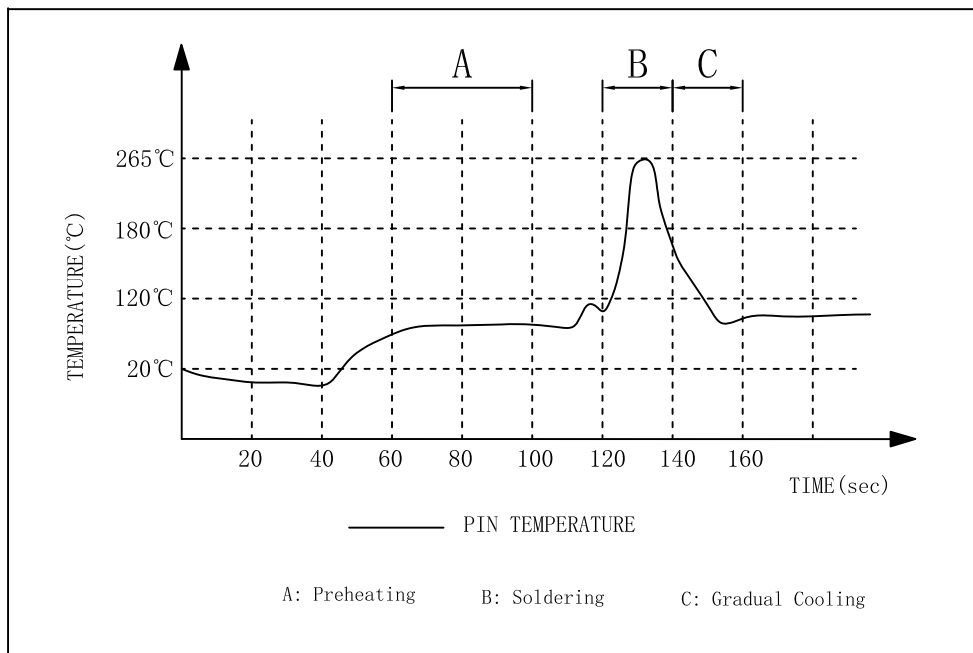


X:X ±0.25	APPD:	Trxcom		
X:XX ±0.20	CHKD:		Huizhou Trxcom Electronics Co.,Ltd.	
X:XXX ±0.05	DR: SEA	TITLE: RJ45 Connector with 1000 Base-T Integrated Magnetics For PoE+ Application		
ANGLES ±1°	UNIT: mm	PART NO.: TRJK6071AONL		
	SCALE: 2/1	SHEET: 2/4	REV: A	DWG NO.: TRC14122626

Profile of wave solder:

REV.	ECN NO.	DESCRIPTION	DATE	APPD
A	REL		2014-12-26	

SUGGESTED PROFILE OF WAVE SOLDER FOR ROHS PRODUCT

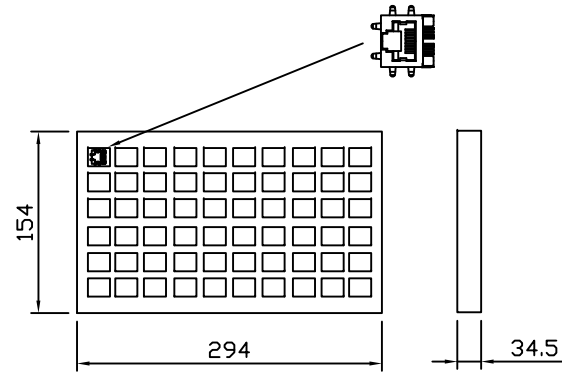


- (1) Tip Temperature: 265°C max
 - (2) Tip Temperature time: 5sec max
- Note: The melting point of Tin: 219°C

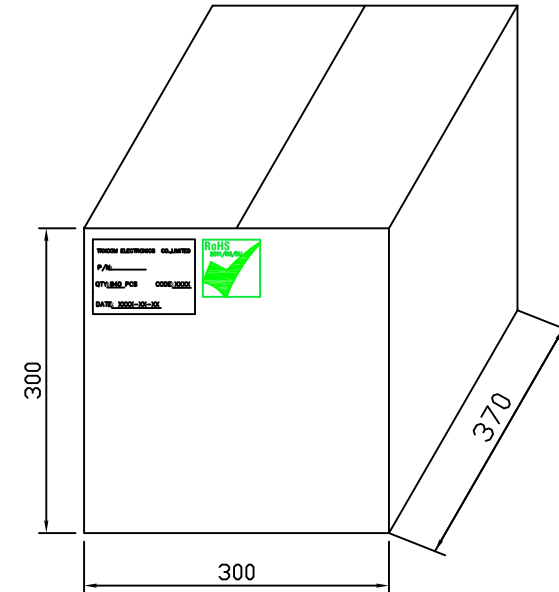
X:X	±0.25	APPD:	Trxcom Huizhou Trxcom Electronics Co.,Ltd.	
X:XX	±0.20	CHKD:		
X:XXX	±0.05	DR: SEA	TITLE: RJ45 Connector with 1000 Base-T Integrated Magnetics For PoE+ Application	
ANGLES	±1°	UNIT: mm	PART NO. : TRJK6071AONL	
		SCALE: 2/1	SHEET: 3/4	REV: A DWG NO. : TRC14122626

Packaging:

REV.	ECN NO.	DESCRIPTION	DATE	APPD
A	REL		2014-12-26	



14Tray →



- ◆ Packaging unit: 60pcs/tray
- ◆ Packaging material: PVC
- ◆ Outer carton unit: 840pcs/14tray/box
- ◆ Net Weight: 7kg
- ◆ Gross Weight: 9kg

X:X	±0.25	APPD:	Trxcom
X:XX	±0.20	CHKD:	
X:XXX	±0.05	DR: SEA	TITLE: 1*1 32.50mm RJ45 Packing
ANGLES	±1°	UNIT: mm	PART NO.: TRJK6071AONL
	SCALE: 2/1	SHEET: 4/4	REV: A
			DWG NO.: TRC14122626